

From: CESWL-Table Rock Shoreline Management Plan Update <CESWL-TableRockShorelineManagementPlanUpdate@usace.army.mil>
Sent: Tuesday, August 29, 2017 8:12 AM
To: Murphy, Gina L.
Subject: FW: [EXTERNAL] Table Rock Lake Shoreline Management Plan

-----Original Message-----

From: Kevin Alphonso [mailto:merauxlane_sweets@yahoo.com]
Sent: Friday, August 25, 2017 3:53 PM
To: CESWL-Table Rock Shoreline Management Plan Update <CESWL-TableRockShorelineManagementPlanUpdate@usace.army.mil>; savetablerock@gmail.com
Subject: [EXTERNAL] Table Rock Lake Shoreline Management Plan

TO: Corps of Engineers Decision Makers

FROM: Kevin Alphonso

RE: Table Rock Lake Shoreline Management Plan

Dear Corps of Engineers Decision Makers,

I am deeply concerned about the drastic changes that are being proposed in your draft Shoreline Management Plan for Table Rock Lake. The community has been very clear in thousands of public comments submitted that we are opposed to over-regulation. We've asked many times for NO CHANGE to be made to the Plan, but there are several items of major concern:

- I object to the carrying capacity as it limits the right to use the lake.
- I object to tighter restrictions placed upon vegetative management permits.
- I object to the new non-transferable grandfathered vegetative management permit rule.
- I object to financial hardships of removing electricity from the lake.
- I object to only one request every five years for dock modification.
- I object to the 8' depth requirement for any new docks.

I would ask that the Shoreline Management Plan NOT be changed. At the very least, please do not allow the changes noted above to go into effect. It would have a devastating economic impact and would be detrimental to the public's right to use and enjoy our lake.

I also object to removing the no wake buoys.

I object to outlawing ATV's and golf carts from Corp managed property.

I object to outlawing port-a-potties and holding tanks on private docks -- doing this will encourage more people to use the lake as a restroom.

20170825_Alphonso_K-WA

I object with outlawing the storage of fishing equipment, tubes, etc... on private docks.

We need to work towards a plan that is beneficial to our community, our members and the health of the environment and only implement changes that have been well thought out and evaluated from several angles (looking closely at the potential pros and cons of each recommendation). We do not need a plan that places restrictions to appease the interests/ideas of a few people.

I am encouraged that the public's comments during the process have been acknowledged by the Corps. Thank you for listening. Please continue to help us protect our rights to use and enjoy our beautiful lake.

Sincerely,

Kevin Alphonso

From: CESWL-Table Rock Shoreline Management Plan Update <CESWL-TableRockShorelineManagementPlanUpdate@usace.army.mil>
Sent: Tuesday, August 29, 2017 8:08 AM
To: Murphy, Gina L.
Subject: FW: [Non-DoD Source] Table Rock Lake Shoreline Management Plan

-----Original Message-----

From: Lonnie `Altis [<mailto:info@cedarshoresranchestates.com>]
Sent: Friday, August 25, 2017 12:26 PM
To: CESWL-Table Rock Shoreline Management Plan Update <CESWL-TableRockShorelineManagementPlanUpdate@usace.army.mil>; savetablerock@gmail.com
Subject: [Non-DoD Source] Table Rock Lake Shoreline Management Plan

TO: Corps of Engineers Decision Makers

FROM: Lonnie Altis

RE: Table Rock Lake Shoreline Management Plan

Dear Corps of Engineers Decision Makers,

I am deeply concerned about the drastic changes that are being proposed in your draft Shoreline Management Plan for Table Rock Lake. The community has been very clear in thousands of public comments submitted that we are opposed to over-regulation. We've asked many times for NO CHANGE to be made to the Plan, but there are several items of major concern:

- I object to the carrying capacity as it limits the right to use the lake.
- I object to tighter restrictions placed upon vegetative management permits.
- I object to the new non-transferable grandfathered vegetative management permit rule.
- I object to financial hardships of removing electricity from the lake.
- I object to only one request every five years for dock modification.
- I object to the 8' depth requirement for any new docks.

I would ask that the Shoreline Management Plan NOT be changed. At the very least, please do not allow the changes noted above to go into effect. It would have a devastating economic impact and would be detrimental to the public's right to use and enjoy our lake.

Also would like to add that that not allowing Golf carts on core makes little sense since Golf carts take up less room to park they are fuel saving and is more easier for handicapped folks to exit from the cart and than some vehicles and they are made not to harm grass less resistance to grass if there is grass to park on same rules as all vehicles

20170825_Altis_L-WA

Thank you for opportunity to comment

Sincerely

L. David Altis

I am encouraged that the public's comments during the process have been acknowledged by the Corps. Thank you for listening. Please continue to help us protect our rights to use and enjoy our beautiful lake.

Sincerely,

Lonnie Altis

Subject: Fw: TABLE ROCK LAKE MASTER PLAN
From: donald anderson (donaldanderson1145@sbcglobal.net)
To: donaldanderson1145@sbcglobal.net;
Date: Friday, August 25, 2017 5:16 PM

On Friday, August 25, 2017 5:15 PM, donald anderson <donaldanderson1145@sbcglobal.net> wrote:

Sirs,

I agree with some of the issues brought up by your most vocal critic, the Tri-Lakes Realtors Board. But I am concerned that most of their complaints are based upon possible decrease in real estate activity caused by revisions to the Table Rock Master Plan.

The removal of power lines in favor of solar and wind energy will be a financial burden now and even 10 years later.

Has the ability of these new energies to create enough power and storage capability for dock use, been fully documented as fact?

Would it not be better for all to wait for technology to catch up before adding this regulation to the Plan?

Vegetation restrictions are necessary. I would hope for some allowance for keeping trees from making contact with buildings and prevent damage.

I do not understand the regulation on not allowing any storage on the dock beyond items specifically for the watercraft function.

Can anyone explain the problem with having a locked storage unit on the dock with fishing equipment, folding chairs, etc. inside?

Can items be stored inside the boat while in the slip?

I do not have a boat with a porta-pottie or holding tank, but are there pumping stations at the marinas to service these boats?

What are those boats doing now for pumping service?

Our cove has a real problem with boats and jet skies not caring about the wakes they create. How in the world will a sign on our dock be as effective as a buoy. It will only get worse.

Our cove is just a bit wider at the mouth than existing regulations allow for no wake buoys across the entry to the cove.

I would be very happy if the corps could address possible changes allowing no wake buoys at the mouth of coves where

the ratio of size/width of cove to the number of docks/slips have more to say about buoys across the mouth of a cove.

This is a huge safety issue in our cove, with swimmers and other activities in the cove.

I agree with the no vehicles such, as golf carts on corps property. It is out of control in our area. But I feel it necessary for

the truly handicapped or medically limited people to be allowed use some form of mechanical transportation. (just as we have to supply handicap accessible equipment for public swimming pools.)

Does the Corps have any concerns on the private and community dock slips being commercially rented out along with

Fri, Aug 25, 2017

Dear Sus.

We have a condo on Table Rock Lake that we've had for many years. We think the Corp has done a fine job protecting the shoreline. We don't want our lake to look like Lake of the Ozarks with docks everywhere.

We would ask that you please allow the storage (refrigerator type) lockers on the docks. We keep our fishing poles, life preservers, chairs, etc in there. We are a couple in our mid to late 70's & we cannot be carrying this stuff down to the docks each time we want to fish, etc. As long as the lockers are secured & appropriate weight for the dock, why is that a problem?

Another issue: we do think that the Corp should enforce the rule that the people who own a dock slip then rent it out to renters of their condos should not be allowed to happen. We have people on the private docks who have no vested interest in the dock & refuse to follow the rules like no smoking, etc.

Thank you for your consideration.

S. we tried to email you but the site wouldn't take it.

Sharon Anderson

2626 N. David St

Wichita, KS 67226

Shore 311-681-2522 20170825_Anderson_S

From: CESWL-Table Rock Shoreline Management Plan Update <CESWL-TableRockShorelineManagementPlanUpdate@usace.army.mil>
Sent: Friday, August 25, 2017 10:38 AM
To: Murphy, Gina L.
Subject: FW: [Non-DoD Source] Table Rock Lake Shoreline Management Plan

-----Original Message-----

From: David`Auernheimer [<mailto:syncophony@gmail.com>]
Sent: Friday, August 25, 2017 6:52 AM
To: CESWL-Table Rock Shoreline Management Plan Update <CESWL-TableRockShorelineManagementPlanUpdate@usace.army.mil>; savetablerock@gmail.com
Subject: [Non-DoD Source] Table Rock Lake Shoreline Management Plan

TO: Corps of Engineers Decision Makers

FROM: David Auernheimer

RE: Table Rock Lake Shoreline Management Plan

Dear Corps of Engineers Decision Makers,

I am deeply concerned about the drastic changes that are being proposed in your draft Shoreline Management Plan for Table Rock Lake. The community has been very clear in thousands of public comments submitted that we are opposed to over-regulation. We've asked many times for NO CHANGE to be made to the Plan, but there are several items of major concern:

- I object to the carrying capacity as it limits the right to use the lake.
- I object to tighter restrictions placed upon vegetative management permits.
- I object to the new non-transferable grandfathered vegetative management permit rule.
- I object to financial hardships of removing electricity from the lake.
- I object to only one request every five years for dock modification.
- I object to the 8' depth requirement for any new docks.

I would ask that the Shoreline Management Plan NOT be changed. At the very least, please do not allow the changes noted above to go into effect. It would have a devastating economic impact and would be detrimental to the public's right to use and enjoy our lake.

I grew up at Cassville, enjoying Table Rock mostly at Corps facilities (Eagle Rock, Big M and Campbell Point). I purchased a residence at Eagle Rock in 2003 and am very concerned with many things. As a firefighter (with both local volunteer and federal wildland experience and current qualifications), I see what looks to be shortsightedness concerning wildfire readiness along shoreline areas, in addition to

20170825_Auernheimer_D-WA

adjoining residential communities. Invasive species is also a concern in these areas. Whatever the policies for Shoreline Management, and the periodic changes that come about, and what seems to be multi-varying interpretations of these policies by different agency members, I don't see hazardous fuels and invasive species being addressed in any meaningful way. I expect it is addressed in your policies and plans, but what is being done to implement action to address them?

As a homeowner, I would like to thin and create defensible space according to the best practices through programs such as Firewise and others that offer actionable information that benefits not only homeowners, but entire communities, actions which unquestionably lowers risk to the lives of residents and frontline responders alike while preserving resources over the long term.

Current restrictions make me feel un-empowered to properly take care of my own property without risking adverse penalizing reaction by enforcement officers. Further regulation feels strangling.

Meanwhile a bad situation gets worse with every growing season. Our volunteer fire departments are already overburdened and underfunded. Lack of management action along shoreline-border woods areas invites disease and hazardous fuel buildup in areas of increasing property values and populations - a recipe for disaster, not to mention exponentially increasing expenses to keep up with emergency services.

I also feel that increasing restrictions of motorized vehicle activity at improved areas (around docks) seems a bit out of line when visit many areas of the lake where people seem to go wherever they want to in ATVs, even creating trails through shoreline property. Why create more regulation, when current regulation isn't being enforced evenly and consistently?

There also seems to be quite a disconnect entirely concerning what is allowed under state law and what is expected to be allowed in lakes communities, regarding non-street-legal motorized vehicles. If the rules aren't enforced on Corps ground evenly and consistently throughout, harsher restrictions are like just twisting the knife in the side of public opinion. (The Corps isn't alone here, many counties are even worse - until someone gets seriously hurt, or killed).

I really appreciate the hard work and the difficult decisions that are made to create a safe plan for management of the lake, let alone to fairly implement the plan. I just hope that in planning, policies are corrected to take into account what can fairly and effectively be implemented according to plan with the resources available.

I wish you the highest success!

I am encouraged that the public's comments during the process have been acknowledged by the Corps. Thank you for listening. Please continue to help us protect our rights to use and enjoy our beautiful lake.

Sincerely,

David Auernheimer

From: CESWL-Table Rock Shoreline Management Plan Update <CESWL-TableRockShorelineManagementPlanUpdate@usace.army.mil>
Sent: Tuesday, August 29, 2017 8:15 AM
To: Murphy, Gina L.
Subject: FW: [EXTERNAL] Table Rock Lake Shoreline Management Plan

-----Original Message-----

From: Chelsea `Begley [<mailto:aquanikki6@aol.com>]
Sent: Friday, August 25, 2017 9:09 PM
To: CESWL-Table Rock Shoreline Management Plan Update <CESWL-TableRockShorelineManagementPlanUpdate@usace.army.mil>; savetablerock@gmail.com
Subject: [EXTERNAL] Table Rock Lake Shoreline Management Plan

TO: Corps of Engineers Decision Makers

FROM: Chelsea Begley

RE: Table Rock Lake Shoreline Management Plan

Dear Corps of Engineers Decision Makers,

I am deeply concerned about the drastic changes that are being proposed in your draft Shoreline Management Plan for Table Rock Lake. The community has been very clear in thousands of public comments submitted that we are opposed to over-regulation. We've asked many times for NO CHANGE to be made to the Plan, but there are several items of major concern:

- I object to the carrying capacity as it limits the right to use the lake.
- I object to tighter restrictions placed upon vegetative management permits.
- I object to the new non-transferable grandfathered vegetative management permit rule.
- I object to financial hardships of removing electricity from the lake.
- I object to only one request every five years for dock modification.
- I object to the 8' depth requirement for any new docks.

I would ask that the Shoreline Management Plan NOT be changed. At the very least, please do not allow the changes noted above to go into effect. It would have a devastating economic impact and would be detrimental to the public's right to use and enjoy our lake.

I am encouraged that the public's comments during the process have been acknowledged by the Corps. Thank you for listening. Please continue to help us protect our rights to use and enjoy our beautiful lake.

Sincerely,

20170825_Begley_C-W

Chelsea Begley

From: CESWL-Table Rock Shoreline Management Plan Update <CESWL-TableRockShorelineManagementPlanUpdate@usace.army.mil>
Sent: Friday, August 25, 2017 10:41 AM
To: Murphy, Gina L.
Subject: FW: [Non-DoD Source] Table Rock Lake Shoreline Management Plan

-----Original Message-----

From: Stephanie`Birmingham [<mailto:sbergmann@ksn.com>]
Sent: Friday, August 25, 2017 9:57 AM
To: CESWL-Table Rock Shoreline Management Plan Update <CESWL-TableRockShorelineManagementPlanUpdate@usace.army.mil>; savetablerock@gmail.com
Subject: [Non-DoD Source] Table Rock Lake Shoreline Management Plan

TO: Corps of Engineers Decision Makers

FROM: Stephanie Birmingham

RE: Table Rock Lake Shoreline Management Plan

Dear Corps of Engineers Decision Makers,

I am deeply concerned about the drastic changes that are being proposed in your draft Shoreline Management Plan for Table Rock Lake. The community has been very clear in thousands of public comments submitted that we are opposed to over-regulation. We've asked many times for NO CHANGE to be made to the Plan, but there are several items of major concern:

- I object to the carrying capacity as it limits the right to use the lake.
- I object to tighter restrictions placed upon vegetative management permits.
- I object to the new non-transferable grandfathered vegetative management permit rule.
- I object to financial hardships of removing electricity from the lake.
- I object to only one request every five years for dock modification.
- I object to the 8' depth requirement for any new docks.

I would ask that the Shoreline Management Plan NOT be changed. At the very least, please do not allow the changes noted above to go into effect. It would have a devastating economic impact and would be detrimental to the public's right to use and enjoy our lake.

I am encouraged that the public's comments during the process have been acknowledged by the Corps. Thank you for listening. Please continue to help us protect our rights to use and enjoy our beautiful lake.

Sincerely,

20170825_Birmingham_S-W

Stephanie Birmingham

From: CESWL-Table Rock Shoreline Management Plan Update <CESWL-TableRockShorelineManagementPlanUpdate@usace.army.mil>
Sent: Tuesday, August 29, 2017 8:16 AM
To: Murphy, Gina L.
Subject: FW: [EXTERNAL] Table Rock Lake Shoreline Management Plan

-----Original Message-----

From: Colleen & Terry `Blackman [<mailto:info@vickeryresort.com>]
Sent: Friday, August 25, 2017 9:45 PM
To: CESWL-Table Rock Shoreline Management Plan Update <CESWL-TableRockShorelineManagementPlanUpdate@usace.army.mil>; savetablerock@gmail.com
Subject: [EXTERNAL] Table Rock Lake Shoreline Management Plan

TO: Corps of Engineers Decision Makers

FROM: Colleen & Terry Blackman

RE: Table Rock Lake Shoreline Management Plan

Dear Corps of Engineers Decision Makers,

I am deeply concerned about the drastic changes that are being proposed in your draft Shoreline Management Plan for Table Rock Lake. The community has been very clear in thousands of public comments submitted that we are opposed to over-regulation. We've asked many times for NO CHANGE to be made to the Plan, but there are several items of major concern:

- I object to the carrying capacity as it limits the right to use the lake.
- I object to tighter restrictions placed upon vegetative management permits.
- I object to the new non-transferable grandfathered vegetative management permit rule.
- I object to financial hardships of removing electricity from the lake.
- I object to only one request every five years for dock modification.
- I object to the 8' depth requirement for any new docks.

I would ask that the Shoreline Management Plan NOT be changed. At the very least, please do not allow the changes noted above to go into effect. It would have a devastating economic impact and would be detrimental to the public's right to use and enjoy our lake.

I am encouraged that the public's comments during the process have been acknowledged by the Corps. Thank you for listening. Please continue to help us protect our rights to use and enjoy our beautiful lake.

Sincerely,

20170825_Blackman_C&T-W

Colleen & Terry Blackman

From: CESWL-Table Rock Shoreline Management Plan Update <CESWL-TableRockShorelineManagementPlanUpdate@usace.army.mil>
Sent: Tuesday, August 29, 2017 8:12 AM
To: Murphy, Gina L.
Subject: FW: [EXTERNAL] Table Rock Lake Shoreline Management Plan

-----Original Message-----

From: Blake Bonfiglio [<mailto:blakebonfiglio@gmail.com>]
Sent: Friday, August 25, 2017 4:40 PM
To: CESWL-Table Rock Shoreline Management Plan Update <CESWL-TableRockShorelineManagementPlanUpdate@usace.army.mil>; savetablerock@gmail.com
Subject: [EXTERNAL] Table Rock Lake Shoreline Management Plan

TO: Corps of Engineers Decision Makers

FROM: Blake Bonfiglio

RE: Table Rock Lake Shoreline Management Plan

Dear Corps of Engineers Decision Makers,

I am deeply concerned about the drastic changes that are being proposed in your draft Shoreline Management Plan for Table Rock Lake. The community has been very clear in thousands of public comments submitted that we are opposed to over-regulation. We've asked many times for NO CHANGE to be made to the Plan, but there are several items of major concern:

- I object to the carrying capacity as it limits the right to use the lake.
- I object to tighter restrictions placed upon vegetative management permits.
- I object to the new non-transferable grandfathered vegetative management permit rule.
- I object to financial hardships of removing electricity from the lake.
- I object to only one request every five years for dock modification.
- I object to the 8' depth requirement for any new docks.

I would ask that the Shoreline Management Plan NOT be changed. At the very least, please do not allow the changes noted above to go into effect. It would have a devastating economic impact and would be detrimental to the public's right to use and enjoy our lake.

I grew up going to and treasuring my time on Table Rock Lake. The proposed changes genuinely threaten what makes Table Rock great.

20170825_Bonfiglio_B-WA

I am encouraged that the public's comments during the process have been acknowledged by the Corps. Thank you for listening. Please continue to help us protect our rights to use and enjoy our beautiful lake.

Sincerely,

Blake Bonfiglio

From: CESWL-Table Rock Shoreline Management Plan Update <CESWL-TableRockShorelineManagementPlanUpdate@usace.army.mil>
Sent: Tuesday, August 29, 2017 8:07 AM
To: Murphy, Gina L.
Subject: FW: [Non-DoD Source] Table Rock Lake Shoreline Management Plan

-----Original Message-----

From: Scott Briggs [<mailto:ibscottbriggs@gmail.com>]
Sent: Friday, August 25, 2017 10:47 AM
To: CESWL-Table Rock Shoreline Management Plan Update <CESWL-TableRockShorelineManagementPlanUpdate@usace.army.mil>; savetablerock@gmail.com
Subject: [Non-DoD Source] Table Rock Lake Shoreline Management Plan

TO: Corps of Engineers Decision Makers

FROM: Scott Briggs

RE: Table Rock Lake Shoreline Management Plan

Dear Corps of Engineers Decision Makers,

I am deeply concerned about the drastic changes that are being proposed in your draft Shoreline Management Plan for Table Rock Lake. The community has been very clear in thousands of public comments submitted that we are opposed to over-regulation. We've asked many times for NO CHANGE to be made to the Plan, but there are several items of major concern:

- I object to the carrying capacity as it limits the right to use the lake.
- I object to tighter restrictions placed upon vegetative management permits.
- I object to the new non-transferable grandfathered vegetative management permit rule.
- I object to financial hardships of removing electricity from the lake.
- I object to only one request every five years for dock modification.
- I object to the 8' depth requirement for any new docks.

I would ask that the Shoreline Management Plan NOT be changed. At the very least, please do not allow the changes noted above to go into effect. It would have a devastating economic impact and would be detrimental to the public's right to use and enjoy our lake.

This is outrageous, the new "plan" will not work to bring more people to the lake. It will only give the corps more power and control! NO NEW PLAN!

20170825_Briggs_S-WA

I am encouraged that the public's comments during the process have been acknowledged by the Corps. Thank you for listening. Please continue to help us protect our rights to use and enjoy our beautiful lake.

Sincerely,

Scott Briggs

From: CESWL-Table Rock Shoreline Management Plan Update <CESWL-TableRockShorelineManagementPlanUpdate@usace.army.mil>
Sent: Tuesday, August 29, 2017 8:11 AM
To: Murphy, Gina L.
Subject: FW: [Non-DoD Source] Table Rock Lake Shoreline Management Plan

-----Original Message-----

From: Gerald Buckley [<mailto:77buckley@gmail.com>]
Sent: Friday, August 25, 2017 2:45 PM
To: CESWL-Table Rock Shoreline Management Plan Update <CESWL-TableRockShorelineManagementPlanUpdate@usace.army.mil>; savetablerock@gmail.com
Subject: [Non-DoD Source] Table Rock Lake Shoreline Management Plan

TO: Corps of Engineers Decision Makers

FROM: Gerald Buckley

RE: Table Rock Lake Shoreline Management Plan

Dear Corps of Engineers Decision Makers,

I am deeply concerned about the drastic changes that are being proposed in your draft Shoreline Management Plan for Table Rock Lake. The community has been very clear in thousands of public comments submitted that we are opposed to over-regulation. We've asked many times for NO CHANGE to be made to the Plan, but there are several items of major concern:

- I object to the carrying capacity as it limits the right to use the lake.
- I object to tighter restrictions placed upon vegetative management permits.
- I object to the new non-transferable grandfathered vegetative management permit rule.
- I object to financial hardships of removing electricity from the lake.
- I object to only one request every five years for dock modification.
- I object to the 8' depth requirement for any new docks.

I would ask that the Shoreline Management Plan NOT be changed. At the very least, please do not allow the changes noted above to go into effect. It would have a devastating economic impact and would be detrimental to the public's right to use and enjoy our lake.

The solar requirement requires batteries that will pollute the lake with lead in the event of a battery spill into the lake, a clear violation of the clean water act. I also don't agree with the doubling of new boat slips allowed in the future. That's too much. Thank you.

20170825_Buckley_G-WA

I am encouraged that the public's comments during the process have been acknowledged by the Corps. Thank you for listening. Please continue to help us protect our rights to use and enjoy our beautiful lake.

Sincerely,

Gerald Buckley

From: CESWL-Table Rock Shoreline Management Plan Update <CESWL-TableRockShorelineManagementPlanUpdate@usace.army.mil>
Sent: Tuesday, August 29, 2017 8:09 AM
To: Murphy, Gina L.
Subject: FW: [Non-DoD Source] Table Rock Lake Shoreline Management Plan

-----Original Message-----

From: Kathy`Busen [<mailto:kbusen@sbcglobal.net>]
Sent: Friday, August 25, 2017 12:35 PM
To: CESWL-Table Rock Shoreline Management Plan Update <CESWL-TableRockShorelineManagementPlanUpdate@usace.army.mil>; savetablerock@gmail.com
Subject: [Non-DoD Source] Table Rock Lake Shoreline Management Plan

TO: Corps of Engineers Decision Makers

FROM: Kathy Busen

RE: Table Rock Lake Shoreline Management Plan

Dear Corps of Engineers Decision Makers,

I am deeply concerned about the drastic changes that are being proposed in your draft Shoreline Management Plan for Table Rock Lake. The community has been very clear in thousands of public comments submitted that we are opposed to over-regulation. We've asked many times for NO CHANGE to be made to the Plan, but there are several items of major concern:

- I object to the carrying capacity as it limits the right to use the lake.
- I object to tighter restrictions placed upon vegetative management permits.
- I object to the new non-transferable grandfathered vegetative management permit rule.
- I object to financial hardships of removing electricity from the lake.
- I object to only one request every five years for dock modification.
- I object to the 8' depth requirement for any new docks.

I would ask that the Shoreline Management Plan NOT be changed. At the very least, please do not allow the changes noted above to go into effect. It would have a devastating economic impact and would be detrimental to the public's right to use and enjoy our lake.

I am encouraged that the public's comments during the process have been acknowledged by the Corps. Thank you for listening. Please continue to help us protect our rights to use and enjoy our beautiful lake.

Sincerely,

20170825_Busen_K-W

Kathy Busen

From: CESWL-Table Rock Shoreline Management Plan Update <CESWL-TableRockShorelineManagementPlanUpdate@usace.army.mil>
Sent: Friday, August 25, 2017 10:40 AM
To: Murphy, Gina L.
Subject: FW: [Non-DoD Source] Table Rock Lake Shoreline Management Plan

-----Original Message-----

From: Mark`Cheatham [<mailto:scheatham@gmail.com>]
Sent: Friday, August 25, 2017 8:23 AM
To: CESWL-Table Rock Shoreline Management Plan Update <CESWL-TableRockShorelineManagementPlanUpdate@usace.army.mil>; savetablerock@gmail.com
Subject: [Non-DoD Source] Table Rock Lake Shoreline Management Plan

TO: Corps of Engineers Decision Makers

FROM: Mark Cheatham

RE: Table Rock Lake Shoreline Management Plan

Dear Corps of Engineers Decision Makers,

I am deeply concerned about the drastic changes that are being proposed in your draft Shoreline Management Plan for Table Rock Lake. The community has been very clear in thousands of public comments submitted that we are opposed to over-regulation. We've asked many times for NO CHANGE to be made to the Plan, but there are several items of major concern:

- I object to the carrying capacity as it limits the right to use the lake.
- I object to tighter restrictions placed upon vegetative management permits.
- I object to the new non-transferable grandfathered vegetative management permit rule.
- I object to financial hardships of removing electricity from the lake.
- I object to only one request every five years for dock modification.
- I object to the 8' depth requirement for any new docks.

I would ask that the Shoreline Management Plan NOT be changed. At the very least, please do not allow the changes noted above to go into effect. It would have a devastating economic impact and would be detrimental to the public's right to use and enjoy our lake.

I am encouraged that the public's comments during the process have been acknowledged by the Corps. Thank you for listening. Please continue to help us protect our rights to use and enjoy our beautiful lake.

Sincerely,

20170825_Cheatham_M-W

Mark Cheatham

From: CESWL-Table Rock Shoreline Management Plan Update <CESWL-TableRockShorelineManagementPlanUpdate@usace.army.mil>
Sent: Tuesday, August 29, 2017 8:07 AM
To: Murphy, Gina L.
Subject: FW: [Non-DoD Source] Table Rock Lake Shoreline Management Plan

-----Original Message-----

From: Clint`Clark [<mailto:clintlaceyclark@yahoo.com>]
Sent: Friday, August 25, 2017 9:50 AM
To: CESWL-Table Rock Shoreline Management Plan Update <CESWL-TableRockShorelineManagementPlanUpdate@usace.army.mil>; savetablerock@gmail.com
Subject: [Non-DoD Source] Table Rock Lake Shoreline Management Plan

TO: Corps of Engineers Decision Makers

FROM: Clint Clark

RE: Table Rock Lake Shoreline Management Plan

Dear Corps of Engineers Decision Makers,

I am deeply concerned about the drastic changes that are being proposed in your draft Shoreline Management Plan for Table Rock Lake. The community has been very clear in thousands of public comments submitted that we are opposed to over-regulation. We've asked many times for NO CHANGE to be made to the Plan, but there are several items of major concern:

- I object to the carrying capacity as it limits the right to use the lake.
- I object to tighter restrictions placed upon vegetative management permits.
- I object to the new non-transferable grandfathered vegetative management permit rule.
- I object to financial hardships of removing electricity from the lake.
- I object to only one request every five years for dock modification.
- I object to the 8' depth requirement for any new docks.

I would ask that the Shoreline Management Plan NOT be changed. At the very least, please do not allow the changes noted above to go into effect. It would have a devastating economic impact and would be detrimental to the public's right to use and enjoy our lake.

No need for any changes everything works smoothly now and many families enjoy the lake.

I am encouraged that the public's comments during the process have been acknowledged by the Corps. Thank you for listening. Please continue to help us protect our rights to use and enjoy our beautiful lake.

20170825_Clark_C-W

Sincerely,

Clint Clark

From: CESWL-Table Rock Shoreline Management Plan Update <CESWL-TableRockShorelineManagementPlanUpdate@usace.army.mil>
Sent: Friday, August 25, 2017 10:41 AM
To: Murphy, Gina L.
Subject: FW: [Non-DoD Source] Table Rock Lake Shoreline Management Plan

-----Original Message-----

From: Lacey`Clark [<mailto:clintlaceyclark@yahoo.com>]
Sent: Friday, August 25, 2017 9:50 AM
To: CESWL-Table Rock Shoreline Management Plan Update <CESWL-TableRockShorelineManagementPlanUpdate@usace.army.mil>; savetablerock@gmail.com
Subject: [Non-DoD Source] Table Rock Lake Shoreline Management Plan

TO: Corps of Engineers Decision Makers

FROM: Lacey Clark

RE: Table Rock Lake Shoreline Management Plan

Dear Corps of Engineers Decision Makers,

I am deeply concerned about the drastic changes that are being proposed in your draft Shoreline Management Plan for Table Rock Lake. The community has been very clear in thousands of public comments submitted that we are opposed to over-regulation. We've asked many times for NO CHANGE to be made to the Plan, but there are several items of major concern:

- I object to the carrying capacity as it limits the right to use the lake.
- I object to tighter restrictions placed upon vegetative management permits.
- I object to the new non-transferable grandfathered vegetative management permit rule.
- I object to financial hardships of removing electricity from the lake.
- I object to only one request every five years for dock modification.
- I object to the 8' depth requirement for any new docks.

I would ask that the Shoreline Management Plan NOT be changed. At the very least, please do not allow the changes noted above to go into effect. It would have a devastating economic impact and would be detrimental to the public's right to use and enjoy our lake.

We love our lake and am not wanting to see any changes made.

I am encouraged that the public's comments during the process have been acknowledged by the Corps. Thank you for listening. Please continue to help us protect our rights to use and enjoy our beautiful lake.

20170825_Clark_L-W

Sincerely,

Lacey Clark

From: CESWL-Table Rock Shoreline Management Plan Update <CESWL-TableRockShorelineManagementPlanUpdate@usace.army.mil>
Sent: Tuesday, August 29, 2017 8:16 AM
To: Murphy, Gina L.
Subject: FW: [EXTERNAL] Table Rock Lake Shoreline Management Plan

-----Original Message-----

From: Patrick `Clark [<mailto:deerman5854@yahoo.com>]
Sent: Friday, August 25, 2017 10:21 PM
To: CESWL-Table Rock Shoreline Management Plan Update <CESWL-TableRockShorelineManagementPlanUpdate@usace.army.mil>; savetablerock@gmail.com
Subject: [EXTERNAL] Table Rock Lake Shoreline Management Plan

TO: Corps of Engineers Decision Makers

FROM: Patrick Clark

RE: Table Rock Lake Shoreline Management Plan

Dear Corps of Engineers Decision Makers,

I am deeply concerned about the drastic changes that are being proposed in your draft Shoreline Management Plan for Table Rock Lake. The community has been very clear in thousands of public comments submitted that we are opposed to over-regulation. We've asked many times for NO CHANGE to be made to the Plan, but there are several items of major concern:

- I object to the carrying capacity as it limits the right to use the lake.
- I object to tighter restrictions placed upon vegetative management permits.
- I object to the new non-transferable grandfathered vegetative management permit rule.
- I object to financial hardships of removing electricity from the lake.
- I object to only one request every five years for dock modification.
- I object to the 8' depth requirement for any new docks.

I would ask that the Shoreline Management Plan NOT be changed. At the very least, please do not allow the changes noted above to go into effect. It would have a devastating economic impact and would be detrimental to the public's right to use and enjoy our lake.

This is an obvious overuse of government control over a state issue. Don't screw us over just so you can justify your jobs .

20170825_Clark_P-W

I am encouraged that the public's comments during the process have been acknowledged by the Corps. Thank you for listening. Please continue to help us protect our rights to use and enjoy our beautiful lake.

Sincerely,

Patrick Clark

From: CESWL-Table Rock Shoreline Management Plan Update <CESWL-TableRockShorelineManagementPlanUpdate@usace.army.mil>
Sent: Tuesday, August 29, 2017 8:16 AM
To: Murphy, Gina L.
Subject: FW: [EXTERNAL] Table Rock Lake Shoreline Management Plan

-----Original Message-----

From: Richard`Clark [<mailto:ianclark2030@gmail.com>]
Sent: Friday, August 25, 2017 10:30 PM
To: CESWL-Table Rock Shoreline Management Plan Update <CESWL-TableRockShorelineManagementPlanUpdate@usace.army.mil>; savetablerock@gmail.com
Subject: [EXTERNAL] Table Rock Lake Shoreline Management Plan

TO: Corps of Engineers Decision Makers

FROM: Richard Clark

RE: Table Rock Lake Shoreline Management Plan

Dear Corps of Engineers Decision Makers,

I am deeply concerned about the drastic changes that are being proposed in your draft Shoreline Management Plan for Table Rock Lake. The community has been very clear in thousands of public comments submitted that we are opposed to over-regulation. We've asked many times for NO CHANGE to be made to the Plan, but there are several items of major concern:

- I object to the carrying capacity as it limits the right to use the lake.
- I object to tighter restrictions placed upon vegetative management permits.
- I object to the new non-transferable grandfathered vegetative management permit rule.
- I object to financial hardships of removing electricity from the lake.
- I object to only one request every five years for dock modification.
- I object to the 8' depth requirement for any new docks.

I would ask that the Shoreline Management Plan NOT be changed. At the very least, please do not allow the changes noted above to go into effect. It would have a devastating economic impact and would be detrimental to the public's right to use and enjoy our lake.

I am encouraged that the public's comments during the process have been acknowledged by the Corps. Thank you for listening. Please continue to help us protect our rights to use and enjoy our beautiful lake.

Sincerely,

20170825_Clark_R_2-W

Richard Clark

From: CESWL-Table Rock Shoreline Management Plan Update <CESWL-TableRockShorelineManagementPlanUpdate@usace.army.mil>
Sent: Tuesday, August 29, 2017 8:16 AM
To: Murphy, Gina L.
Subject: FW: [EXTERNAL] Table Rock Lake Shoreline Management Plan

-----Original Message-----

From: Richard `Clark [mailto:rokker_85@yahoo.com]
Sent: Friday, August 25, 2017 10:30 PM
To: CESWL-Table Rock Shoreline Management Plan Update <CESWL-TableRockShorelineManagementPlanUpdate@usace.army.mil>; savetablerock@gmail.com
Subject: [EXTERNAL] Table Rock Lake Shoreline Management Plan

TO: Corps of Engineers Decision Makers

FROM: Richard Clark

RE: Table Rock Lake Shoreline Management Plan

Dear Corps of Engineers Decision Makers,

I am deeply concerned about the drastic changes that are being proposed in your draft Shoreline Management Plan for Table Rock Lake. The community has been very clear in thousands of public comments submitted that we are opposed to over-regulation. We've asked many times for NO CHANGE to be made to the Plan, but there are several items of major concern:

- I object to the carrying capacity as it limits the right to use the lake.
- I object to tighter restrictions placed upon vegetative management permits.
- I object to the new non-transferable grandfathered vegetative management permit rule.
- I object to financial hardships of removing electricity from the lake.
- I object to only one request every five years for dock modification.
- I object to the 8' depth requirement for any new docks.

I would ask that the Shoreline Management Plan NOT be changed. At the very least, please do not allow the changes noted above to go into effect. It would have a devastating economic impact and would be detrimental to the public's right to use and enjoy our lake.

I am encouraged that the public's comments during the process have been acknowledged by the Corps. Thank you for listening. Please continue to help us protect our rights to use and enjoy our beautiful lake.

Sincerely,

20170825_Clark_R-W

Richard Clark

From: CESWL-Table Rock Shoreline Management Plan Update <CESWL-TableRockShorelineManagementPlanUpdate@usace.army.mil>
Sent: Tuesday, August 29, 2017 8:14 AM
To: Murphy, Gina L.
Subject: FW: [EXTERNAL] Table Rock Lake Shoreline Management Plan

-----Original Message-----

From: Samantha `Cook [<mailto:samantha.nicolewilliams@gmail.com>]
Sent: Friday, August 25, 2017 7:00 PM
To: CESWL-Table Rock Shoreline Management Plan Update <CESWL-TableRockShorelineManagementPlanUpdate@usace.army.mil>; savetablerock@gmail.com
Subject: [EXTERNAL] Table Rock Lake Shoreline Management Plan

TO: Corps of Engineers Decision Makers

FROM: Samantha Cook

RE: Table Rock Lake Shoreline Management Plan

Dear Corps of Engineers Decision Makers,

I am deeply concerned about the drastic changes that are being proposed in your draft Shoreline Management Plan for Table Rock Lake. The community has been very clear in thousands of public comments submitted that we are opposed to over-regulation. We've asked many times for NO CHANGE to be made to the Plan, but there are several items of major concern:

- I object to the carrying capacity as it limits the right to use the lake.
- I object to tighter restrictions placed upon vegetative management permits.
- I object to the new non-transferable grandfathered vegetative management permit rule.
- I object to financial hardships of removing electricity from the lake.
- I object to only one request every five years for dock modification.
- I object to the 8' depth requirement for any new docks.

I would ask that the Shoreline Management Plan NOT be changed. At the very least, please do not allow the changes noted above to go into effect. It would have a devastating economic impact and would be detrimental to the public's right to use and enjoy our lake.

We used to have a beautiful view of the lake until lowing permit was pulled now it is nasty over grown and you walk thaway shorelines and find needles broken alcohol bottles and evidence of other illegal activities as the over grown trees have made it easy to hide out... not to mention we cannot have the baby out in the deck now due to allergies from all the over grown cedar trees. Please be thoughtful to

20170825_Cook_S-WA

those of use who live our lake and the view and consider reinstating our mowing permit to cut down on illegal activities as well as making the shorelines beautiful!

I am encouraged that the public's comments during the process have been acknowledged by the Corps. Thank you for listening. Please continue to help us protect our rights to use and enjoy our beautiful lake.

Sincerely,

Samantha Cook

From: CESWL-Table Rock Shoreline Management Plan Update <CESWL-TableRockShorelineManagementPlanUpdate@usace.army.mil>
Sent: Tuesday, August 29, 2017 8:15 AM
To: Murphy, Gina L.
Subject: FW: [EXTERNAL] Table Rock Lake Shoreline Management Plan

-----Original Message-----

From: Gary `Cooley [<mailto:gcooley39@gmail.com>]
Sent: Friday, August 25, 2017 9:00 PM
To: CESWL-Table Rock Shoreline Management Plan Update <CESWL-TableRockShorelineManagementPlanUpdate@usace.army.mil>; savetablerock@gmail.com
Subject: [EXTERNAL] Table Rock Lake Shoreline Management Plan

TO: Corps of Engineers Decision Makers

FROM: Gary Cooley

RE: Table Rock Lake Shoreline Management Plan

Dear Corps of Engineers Decision Makers,

I am deeply concerned about the drastic changes that are being proposed in your draft Shoreline Management Plan for Table Rock Lake. The community has been very clear in thousands of public comments submitted that we are opposed to over-regulation. We've asked many times for NO CHANGE to be made to the Plan, but there are several items of major concern:

- I object to the carrying capacity as it limits the right to use the lake.
- I object to tighter restrictions placed upon vegetative management permits.
- I object to the new non-transferable grandfathered vegetative management permit rule.
- I object to financial hardships of removing electricity from the lake.
- I object to only one request every five years for dock modification.
- I object to the 8' depth requirement for any new docks.

I would ask that the Shoreline Management Plan NOT be changed. At the very least, please do not allow the changes noted above to go into effect. It would have a devastating economic impact and would be detrimental to the public's right to use and enjoy our lake.

I am encouraged that the public's comments during the process have been acknowledged by the Corps. Thank you for listening. Please continue to help us protect our rights to use and enjoy our beautiful lake.

Sincerely,

20170825_Cooley_G-W

Gary Cooley

From: CESWL-Table Rock Shoreline Management Plan Update <CESWL-TableRockShorelineManagementPlanUpdate@usace.army.mil>
Sent: Tuesday, August 29, 2017 8:11 AM
To: Murphy, Gina L.
Subject: FW: [Non-DoD Source] Table Rock Lake Shoreline Management Plan

-----Original Message-----

From: Cara`Correll [mailto:cara_woods@hotmail.com]
Sent: Friday, August 25, 2017 1:45 PM
To: CESWL-Table Rock Shoreline Management Plan Update <CESWL-TableRockShorelineManagementPlanUpdate@usace.army.mil>; savetablerock@gmail.com
Subject: [Non-DoD Source] Table Rock Lake Shoreline Management Plan

TO: Corps of Engineers Decision Makers

FROM: Cara Correll

RE: Table Rock Lake Shoreline Management Plan

Dear Corps of Engineers Decision Makers,

I am deeply concerned about the drastic changes that are being proposed in your draft Shoreline Management Plan for Table Rock Lake. The community has been very clear in thousands of public comments submitted that we are opposed to over-regulation. We've asked many times for NO CHANGE to be made to the Plan, but there are several items of major concern:

- I object to the carrying capacity as it limits the right to use the lake.
- I object to tighter restrictions placed upon vegetative management permits.
- I object to the new non-transferable grandfathered vegetative management permit rule.
- I object to financial hardships of removing electricity from the lake.
- I object to only one request every five years for dock modification.
- I object to the 8' depth requirement for any new docks.

I would ask that the Shoreline Management Plan NOT be changed. At the very least, please do not allow the changes noted above to go into effect. It would have a devastating economic impact and would be detrimental to the public's right to use and enjoy our lake.

Our children swim off our boat dock, and removing the no wake buoys would significantly decrease their safety on the lake. Also, having electricity on boat docks is essential to many lifts and how we utilize boat docks in many other ways. Please consider the safety and common use of our docks when making these changes

20170825_Correll_C-WA

I am encouraged that the public's comments during the process have been acknowledged by the Corps. Thank you for listening. Please continue to help us protect our rights to use and enjoy our beautiful lake.

Sincerely,

Cara Correll

From: CESWL-Table Rock Shoreline Management Plan Update <CESWL-TableRockShorelineManagementPlanUpdate@usace.army.mil>
Sent: Tuesday, August 29, 2017 8:07 AM
To: Murphy, Gina L.
Subject: FW: [Non-DoD Source] Table Rock Lake Shoreline Management Plan

-----Original Message-----

From: Linda Correll [<mailto:busebabe@hotmail.com>]
Sent: Friday, August 25, 2017 11:17 AM
To: CESWL-Table Rock Shoreline Management Plan Update <CESWL-TableRockShorelineManagementPlanUpdate@usace.army.mil>; savetablerock@gmail.com
Subject: [Non-DoD Source] Table Rock Lake Shoreline Management Plan

TO: Corps of Engineers Decision Makers

FROM: Linda Correll

RE: Table Rock Lake Shoreline Management Plan

Dear Corps of Engineers Decision Makers,

I am deeply concerned about the drastic changes that are being proposed in your draft Shoreline Management Plan for Table Rock Lake. The community has been very clear in thousands of public comments submitted that we are opposed to over-regulation. We've asked many times for NO CHANGE to be made to the Plan, but there are several items of major concern:

- I object to the carrying capacity as it limits the right to use the lake.
- I object to tighter restrictions placed upon vegetative management permits.
- I object to the new non-transferable grandfathered vegetative management permit rule.
- I object to financial hardships of removing electricity from the lake.
- I object to only one request every five years for dock modification.
- I object to the 8' depth requirement for any new docks.

I would ask that the Shoreline Management Plan NOT be changed. At the very least, please do not allow the changes noted above to go into effect. It would have a devastating economic impact and would be detrimental to the public's right to use and enjoy our lake.

I am encouraged that the public's comments during the process have been acknowledged by the Corps. Thank you for listening. Please continue to help us protect our rights to use and enjoy our beautiful lake.

Sincerely,

20170825_Correll_L-W

Linda Correll

From: CESWL-Table Rock Shoreline Management Plan Update <CESWL-TableRockShorelineManagementPlanUpdate@usace.army.mil>
Sent: Tuesday, August 29, 2017 8:15 AM
To: Murphy, Gina L.
Subject: FW: [EXTERNAL] Table Rock Lake Shoreline Management Plan

-----Original Message-----

From: Richard Correll [<mailto:Rick.correll@hotmail.com>]
Sent: Friday, August 25, 2017 9:15 PM
To: CESWL-Table Rock Shoreline Management Plan Update <CESWL-TableRockShorelineManagementPlanUpdate@usace.army.mil>; savetablerock@gmail.com
Subject: [EXTERNAL] Table Rock Lake Shoreline Management Plan

TO: Corps of Engineers Decision Makers

FROM: Richard Correll

RE: Table Rock Lake Shoreline Management Plan

Dear Corps of Engineers Decision Makers,

I am deeply concerned about the drastic changes that are being proposed in your draft Shoreline Management Plan for Table Rock Lake. The community has been very clear in thousands of public comments submitted that we are opposed to over-regulation. We've asked many times for NO CHANGE to be made to the Plan, but there are several items of major concern:

- I object to the carrying capacity as it limits the right to use the lake.
- I object to tighter restrictions placed upon vegetative management permits.
- I object to the new non-transferable grandfathered vegetative management permit rule.
- I object to financial hardships of removing electricity from the lake.
- I object to only one request every five years for dock modification.
- I object to the 8' depth requirement for any new docks.

I would ask that the Shoreline Management Plan NOT be changed. At the very least, please do not allow the changes noted above to go into effect. It would have a devastating economic impact and would be detrimental to the public's right to use and enjoy our lake.

I am encouraged that the public's comments during the process have been acknowledged by the Corps. Thank you for listening. Please continue to help us protect our rights to use and enjoy our beautiful lake.

Sincerely,

20170825_Correll_R-W

Richard Correll

From: CESWL-Table Rock Shoreline Management Plan Update <CESWL-TableRockShorelineManagementPlanUpdate@usace.army.mil>
Sent: Friday, August 25, 2017 10:41 AM
To: Murphy, Gina L.
Subject: FW: [Non-DoD Source] Table Rock Lake Shoreline Management Plan

-----Original Message-----

From: DeAnna Crossland [<mailto:deannac2341@sbcglobal.net>]
Sent: Friday, August 25, 2017 9:32 AM
To: CESWL-Table Rock Shoreline Management Plan Update <CESWL-TableRockShorelineManagementPlanUpdate@usace.army.mil>; savetablerock@gmail.com
Subject: [Non-DoD Source] Table Rock Lake Shoreline Management Plan

TO: Corps of Engineers Decision Makers

FROM: DeAnna Crossland

RE: Table Rock Lake Shoreline Management Plan

Dear Corps of Engineers Decision Makers,

I am deeply concerned about the drastic changes that are being proposed in your draft Shoreline Management Plan for Table Rock Lake. The community has been very clear in thousands of public comments submitted that we are opposed to over-regulation. We've asked many times for NO CHANGE to be made to the Plan, but there are several items of major concern:

- I object to the carrying capacity as it limits the right to use the lake.
- I object to tighter restrictions placed upon vegetative management permits.
- I object to the new non-transferable grandfathered vegetative management permit rule.
- I object to financial hardships of removing electricity from the lake.
- I object to only one request every five years for dock modification.
- I object to the 8' depth requirement for any new docks.

I would ask that the Shoreline Management Plan NOT be changed. At the very least, please do not allow the changes noted above to go into effect. It would have a devastating economic impact and would be detrimental to the public's right to use and enjoy our lake.

Stop the madness! Have you even thought about what your doing! Run everyone off and then where will you be?

20170825_Crossland_D-W

I am encouraged that the public's comments during the process have been acknowledged by the Corps. Thank you for listening. Please continue to help us protect our rights to use and enjoy our beautiful lake.

Sincerely,

DeAnna Crossland

TABLE ROCK LAKE SHORELINE MANAGEMENT PLAN COMMENTS
25-August-2017

There are many substantial changes to the 1996 Plan and I appreciated the opportunity to comment on the proposed 2017 changes. The EA format is easy to read and understand. My comments are as follows.

SOLAR POWER

I support the use of solar/alternative electricity at all docks.

The current land based electrical supply lines are extremely hazardous to the public.

I suggest moving the conversion deadline up to 2022 to remove all land-based electricity to docks.

CARRYING CAPACITY

The carrying capacity projections of 30,806 are based on too little data, large assumptions, and are potentially flawed. Wasn't there a moratorium on new boat dock permits implemented prior to 2017? Wouldn't the number of slips have been greater in 2017 if no moratorium had been in place? How can years between 2009 and 2017 when no growth was allowed be used to calculate your 6.9% growth rate projection?

I support only Alternative 3 No Action (1996 Plan) for carrying capacity management.

MINIMUM AND MAXIMUM NUMBER OF SLIPS PER DOCK

I do not support the Preferred Plan change from a minimum of 12 slips per dock to 1.

This will result in far too many docks on the lake, cause additional water quality degradation, disrupt wildlife movement patterns, cause additional congestion and safety hazards, and detract from the shoreline beauty.

I support only Alternative 3 No Action (1996 Plan) for minimum of 12 slips per dock.

WHO CAN BE A PERMITTEE

I do not support the Preferred Plan change to multiple dock ownership by one permittee.

This will clearly favor developers and result in a monopoly in dock ownership in some areas.

I support only Alternative 3 No Action (1996 Plan) for one permittee per dock.

NO WAKE BUOYS

I do not understand the reasoning behind prohibiting No Wake buoys at private docks.

The primary reason for these buoys is safety.

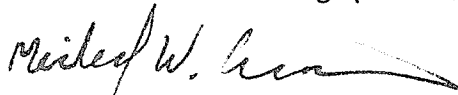
Prohibiting no wake buoys will put swimmers and other water users at risk.

Shoreline erosion from wave action caused by boats will also increase in narrow sections of the lake.

I suggest that No Wake buoys be required in any channel or lake section that is 300 feet wide or less, and also be allowed at private docks.

I generally support other Alternative 4 – Neutral Change (Preferred Plan) Management Measurements.

Mike Crouse
18696 Big Creek Road
Shell Knob, MO 65747



SUBMIT

**Table Rock Lake Shoreline Management Plan
Revision, Environmental Assessment,
Master Plan Comment Form**



Please use this form to respond to provide your comments on the draft revised Table Rock Lake Shoreline Management Plan and the draft Environmental Assessment. The draft revised Shoreline Management Plan and Environmental Assessment may be found on the web at <https://go.usa.gov/xN92n>. Please also include any comments you may have regarding the 2014 Table Rock Lake Master Plan. The 2014 Table Rock Lake Master Plan may be found on the web at <https://go.usa.gov/xN92n>. Feel free to take an extra form and sent it back later to the address listed below. **Comments must be submitted by August 30, 2017.**

Your Name/Organization: Mike Crouse
Address: 18696 Big Creek Road
Shell Knob, MO 65747
E-mail: coyote49@central.com Phone: 3032150040

Please circle the number that best represents your opinion of the draft documents: Revised Shoreline Management Plan, draft Environmental Assessment, and draft Finding of No Significant Impact:

1 2 3 4 5 6 7 8 9 10
Strongly Disapprove Strongly Approve

What are the most important factors that affect your opinion of the draft Revised Shoreline Management Plan?
A balanced approach to shoreline management
The preservation of natural shoreline
wildlife habitat and movement
Recreational value

What are the most important factors that affect your opinion of the draft Environmental Assessment and draft Finding of No Significant Impact prepared for the Shoreline Management Plan Revision?
The EA format is easy to read and understand
I generally support the NEPA process and value
public input in resource management decisions

Comments on the 2014 Master Plan:

Comments may be submitted via mail, email, fax or the project website with attention to: Table Rock Lake SMP/MP/EA Project Manager, Programs and Projects Management Division, USACE, Little Rock District, P.O. Box 867, Little Rock, AR 72203.
Fax: (501) 324-6518 Email: CESWL-TableRockShorelineManagementPlanUpdate@usace.army.mil
Website: <https://go.usa.gov/xN92n>

Written comments must be postmarked, e-mailed, faxed, or otherwise submitted by **August 30, 2017.**

From: CESWL-Table Rock Shoreline Management Plan Update <CESWL-TableRockShorelineManagementPlanUpdate@usace.army.mil>
Sent: Tuesday, August 29, 2017 8:16 AM
To: Murphy, Gina L.
Subject: FW: [EXTERNAL] Table Rock Lake Shoreline Management Plan

-----Original Message-----

From: Ethel `Curbow [<mailto:ecurbow@aol.com>]
Sent: Friday, August 25, 2017 9:38 PM
To: CESWL-Table Rock Shoreline Management Plan Update <CESWL-TableRockShorelineManagementPlanUpdate@usace.army.mil>; savetablerock@gmail.com
Subject: [EXTERNAL] Table Rock Lake Shoreline Management Plan

TO: Corps of Engineers Decision Makers

FROM: Ethel Curbow

RE: Table Rock Lake Shoreline Management Plan

Dear Corps of Engineers Decision Makers,

I am deeply concerned about the drastic changes that are being proposed in your draft Shoreline Management Plan for Table Rock Lake. The community has been very clear in thousands of public comments submitted that we are opposed to over-regulation. We've asked many times for NO CHANGE to be made to the Plan, but there are several items of major concern:

- I object to the carrying capacity as it limits the right to use the lake.
- I object to tighter restrictions placed upon vegetative management permits.
- I object to the new non-transferable grandfathered vegetative management permit rule.
- I object to financial hardships of removing electricity from the lake.
- I object to only one request every five years for dock modification.
- I object to the 8' depth requirement for any new docks.

I would ask that the Shoreline Management Plan NOT be changed. At the very least, please do not allow the changes noted above to go into effect. It would have a devastating economic impact and would be detrimental to the public's right to use and enjoy our lake.

I am encouraged that the public's comments during the process have been acknowledged by the Corps. Thank you for listening. Please continue to help us protect our rights to use and enjoy our beautiful lake.

Sincerely,

20170825_Curbow_E-W

Ethel Curbow

From: CESWL-Table Rock Shoreline Management Plan Update <CESWL-TableRockShorelineManagementPlanUpdate@usace.army.mil>
Sent: Friday, August 25, 2017 10:41 AM
To: Murphy, Gina L.
Subject: FW: [Non-DoD Source] Table Rock Lake Shoreline Management Plan

-----Original Message-----

From: Colleen`Danahay [<mailto:codanahay@gmail.com>]
Sent: Friday, August 25, 2017 9:19 AM
To: CESWL-Table Rock Shoreline Management Plan Update <CESWL-TableRockShorelineManagementPlanUpdate@usace.army.mil>; savetablerock@gmail.com
Subject: [Non-DoD Source] Table Rock Lake Shoreline Management Plan

TO: Corps of Engineers Decision Makers

FROM: Colleen Danahay

RE: Table Rock Lake Shoreline Management Plan

Dear Corps of Engineers Decision Makers,

I am deeply concerned about the drastic changes that are being proposed in your draft Shoreline Management Plan for Table Rock Lake. The community has been very clear in thousands of public comments submitted that we are opposed to over-regulation. We've asked many times for NO CHANGE to be made to the Plan, but there are several items of major concern:

- I object to the carrying capacity as it limits the right to use the lake.
- I object to tighter restrictions placed upon vegetative management permits.
- I object to the new non-transferable grandfathered vegetative management permit rule.
- I object to financial hardships of removing electricity from the lake.
- I object to only one request every five years for dock modification.
- I object to the 8' depth requirement for any new docks.

I would ask that the Shoreline Management Plan NOT be changed. At the very least, please do not allow the changes noted above to go into effect. It would have a devastating economic impact and would be detrimental to the public's right to use and enjoy our lake.

These changes would be devastating to our lake! This lake and the visitors and home owners are vital to the economy of this area! No to changes!!

20170825_Danahay_C-WA

I am encouraged that the public's comments during the process have been acknowledged by the Corps. Thank you for listening. Please continue to help us protect our rights to use and enjoy our beautiful lake.

Sincerely,

Colleen Danahay

From: CESWL-Table Rock Shoreline Management Plan Update <CESWL-TableRockShorelineManagementPlanUpdate@usace.army.mil>
Sent: Tuesday, August 29, 2017 8:08 AM
To: Murphy, Gina L.
Subject: FW: [Non-DoD Source] Table Rock Lake Shoreline Management Plan

-----Original Message-----

From: Derek `Day [mailto:Derekhdrs@gmail.com]
Sent: Friday, August 25, 2017 12:24 PM
To: CESWL-Table Rock Shoreline Management Plan Update <CESWL-TableRockShorelineManagementPlanUpdate@usace.army.mil>; savetablerock@gmail.com
Subject: [Non-DoD Source] Table Rock Lake Shoreline Management Plan

TO: Corps of Engineers Decision Makers

FROM: Derek Day

RE: Table Rock Lake Shoreline Management Plan

Dear Corps of Engineers Decision Makers,

I am deeply concerned about the drastic changes that are being proposed in your draft Shoreline Management Plan for Table Rock Lake. The community has been very clear in thousands of public comments submitted that we are opposed to over-regulation. We've asked many times for NO CHANGE to be made to the Plan, but there are several items of major concern:

- I object to the carrying capacity as it limits the right to use the lake.
- I object to tighter restrictions placed upon vegetative management permits.
- I object to the new non-transferable grandfathered vegetative management permit rule.
- I object to financial hardships of removing electricity from the lake.
- I object to only one request every five years for dock modification.
- I object to the 8' depth requirement for any new docks.

I would ask that the Shoreline Management Plan NOT be changed. At the very least, please do not allow the changes noted above to go into effect. It would have a devastating economic impact and would be detrimental to the public's right to use and enjoy our lake.

I am encouraged that the public's comments during the process have been acknowledged by the Corps. Thank you for listening. Please continue to help us protect our rights to use and enjoy our beautiful lake.

Sincerely,

20170825_Day_D-W

Derek Day

From: CESWL-Table Rock Shoreline Management Plan Update <CESWL-TableRockShorelineManagementPlanUpdate@usace.army.mil>
Sent: Tuesday, August 29, 2017 8:12 AM
To: Murphy, Gina L.
Subject: FW: [EXTERNAL] Table Rock Lake Shoreline Management Plan

-----Original Message-----

From: Daniel Fick [<mailto:danfick94@yahoo.com>]
Sent: Friday, August 25, 2017 4:45 PM
To: CESWL-Table Rock Shoreline Management Plan Update <CESWL-TableRockShorelineManagementPlanUpdate@usace.army.mil>; savetablerock@gmail.com
Subject: [EXTERNAL] Table Rock Lake Shoreline Management Plan

TO: Corps of Engineers Decision Makers

FROM: Daniel Fick

RE: Table Rock Lake Shoreline Management Plan

Dear Corps of Engineers Decision Makers,

I am deeply concerned about the drastic changes that are being proposed in your draft Shoreline Management Plan for Table Rock Lake. The community has been very clear in thousands of public comments submitted that we are opposed to over-regulation. We've asked many times for NO CHANGE to be made to the Plan, but there are several items of major concern:

- I object to the carrying capacity as it limits the right to use the lake.
- I object to tighter restrictions placed upon vegetative management permits.
- I object to the new non-transferable grandfathered vegetative management permit rule.
- I object to financial hardships of removing electricity from the lake.
- I object to only one request every five years for dock modification.
- I object to the 8' depth requirement for any new docks.

I would ask that the Shoreline Management Plan NOT be changed. At the very least, please do not allow the changes noted above to go into effect. It would have a devastating economic impact and would be detrimental to the public's right to use and enjoy our lake.

I am encouraged that the public's comments during the process have been acknowledged by the Corps. Thank you for listening. Please continue to help us protect our rights to use and enjoy our beautiful lake.

Sincerely,

20170825_Fick_D-W

Daniel Fick

From: CESWL-Table Rock Shoreline Management Plan Update <CESWL-TableRockShorelineManagementPlanUpdate@usace.army.mil>
Sent: Friday, August 25, 2017 10:39 AM
To: Murphy, Gina L.
Subject: FW: [Non-DoD Source] Table Rock Lake Shoreline Management Plan

-----Original Message-----

From: Jeff Fitter [<mailto:jf63010@gmail.com>]
Sent: Friday, August 25, 2017 7:18 AM
To: CESWL-Table Rock Shoreline Management Plan Update <CESWL-TableRockShorelineManagementPlanUpdate@usace.army.mil>; savetablerock@gmail.com
Subject: [Non-DoD Source] Table Rock Lake Shoreline Management Plan

TO: Corps of Engineers Decision Makers

FROM: Jeff Fitter

RE: Table Rock Lake Shoreline Management Plan

Dear Corps of Engineers Decision Makers,

I am deeply concerned about the drastic changes that are being proposed in your draft Shoreline Management Plan for Table Rock Lake. The community has been very clear in thousands of public comments submitted that we are opposed to over-regulation. We've asked many times for NO CHANGE to be made to the Plan, but there are several items of major concern:

- I object to the carrying capacity as it limits the right to use the lake.
- I object to tighter restrictions placed upon vegetative management permits.
- I object to the new non-transferable grandfathered vegetative management permit rule.
- I object to financial hardships of removing electricity from the lake.
- I object to only one request every five years for dock modification.
- I object to the 8' depth requirement for any new docks.

I would ask that the Shoreline Management Plan NOT be changed. At the very least, please do not allow the changes noted above to go into effect. It would have a devastating economic impact and would be detrimental to the public's right to use and enjoy our lake.

I am encouraged that the public's comments during the process have been acknowledged by the Corps. Thank you for listening. Please continue to help us protect our rights to use and enjoy our beautiful lake.

Sincerely,

20170825_Fitter_J-W

Jeff Fitter

From: CESWL-Table Rock Shoreline Management Plan Update <CESWL-TableRockShorelineManagementPlanUpdate@usace.army.mil>
Sent: Friday, August 25, 2017 10:39 AM
To: Murphy, Gina L.
Subject: FW: [Non-DoD Source] Table Rock Lake Shoreline Management Plan

-----Original Message-----

From: Michelle`Fitter [<mailto:mfitter12@gmail.com>]
Sent: Friday, August 25, 2017 7:03 AM
To: CESWL-Table Rock Shoreline Management Plan Update <CESWL-TableRockShorelineManagementPlanUpdate@usace.army.mil>; savetablerock@gmail.com
Subject: [Non-DoD Source] Table Rock Lake Shoreline Management Plan

TO: Corps of Engineers Decision Makers

FROM: Michelle Fitter

RE: Table Rock Lake Shoreline Management Plan

Dear Corps of Engineers Decision Makers,

I am deeply concerned about the drastic changes that are being proposed in your draft Shoreline Management Plan for Table Rock Lake. The community has been very clear in thousands of public comments submitted that we are opposed to over-regulation. We've asked many times for NO CHANGE to be made to the Plan, but there are several items of major concern:

- I object to the carrying capacity as it limits the right to use the lake.
- I object to tighter restrictions placed upon vegetative management permits.
- I object to the new non-transferable grandfathered vegetative management permit rule.
- I object to financial hardships of removing electricity from the lake.
- I object to only one request every five years for dock modification.
- I object to the 8' depth requirement for any new docks.

I would ask that the Shoreline Management Plan NOT be changed. At the very least, please do not allow the changes noted above to go into effect. It would have a devastating economic impact and would be detrimental to the public's right to use and enjoy our lake.

I am encouraged that the public's comments during the process have been acknowledged by the Corps. Thank you for listening. Please continue to help us protect our rights to use and enjoy our beautiful lake.

Sincerely,

20170825_Fitter_M-W

Michelle Fitter

From: CESWL-Table Rock Shoreline Management Plan Update <CESWL-TableRockShorelineManagementPlanUpdate@usace.army.mil>
Sent: Friday, August 25, 2017 10:40 AM
To: Murphy, Gina L.
Subject: FW: [Non-DoD Source] Table Rock Lake Shoreline Management Plan

-----Original Message-----

From: Cynthia `Freeze [<mailto:cwfreeze@gmail.com>]
Sent: Friday, August 25, 2017 9:02 AM
To: CESWL-Table Rock Shoreline Management Plan Update <CESWL-TableRockShorelineManagementPlanUpdate@usace.army.mil>; savetablerock@gmail.com
Subject: [Non-DoD Source] Table Rock Lake Shoreline Management Plan

TO: Corps of Engineers Decision Makers

FROM: Cynthia Freeze

RE: Table Rock Lake Shoreline Management Plan

Dear Corps of Engineers Decision Makers,

I am deeply concerned about the drastic changes that are being proposed in your draft Shoreline Management Plan for Table Rock Lake. The community has been very clear in thousands of public comments submitted that we are opposed to over-regulation. We've asked many times for NO CHANGE to be made to the Plan, but there are several items of major concern:

- I object to the carrying capacity as it limits the right to use the lake.
- I object to tighter restrictions placed upon vegetative management permits.
- I object to the new non-transferable grandfathered vegetative management permit rule.
- I object to financial hardships of removing electricity from the lake.
- I object to only one request every five years for dock modification.
- I object to the 8' depth requirement for any new docks.

I would ask that the Shoreline Management Plan NOT be changed. At the very least, please do not allow the changes noted above to go into effect. It would have a devastating economic impact and would be detrimental to the public's right to use and enjoy our lake.

I object to removing storage boxes on the docks.

I am encouraged that the public's comments during the process have been acknowledged by the Corps. Thank you for listening. Please continue to help us protect our rights to use and enjoy our beautiful lake.

20170825_Freeze_C-WA

Sincerely,

Cynthia Freeze

From: CESWL-Table Rock Shoreline Management Plan Update <CESWL-TableRockShorelineManagementPlanUpdate@usace.army.mil>
Sent: Tuesday, August 29, 2017 8:14 AM
To: Murphy, Gina L.
Subject: FW: [EXTERNAL] Table Rock Lake Shoreline Management Plan

-----Original Message-----

From: Cindy Frenzel [<mailto:ckfjaf@gmail.com>]
Sent: Friday, August 25, 2017 5:51 PM
To: CESWL-Table Rock Shoreline Management Plan Update <CESWL-TableRockShorelineManagementPlanUpdate@usace.army.mil>; savetablerock@gmail.com
Subject: [EXTERNAL] Table Rock Lake Shoreline Management Plan

TO: Corps of Engineers Decision Makers

FROM: Cindy Frenzel

RE: Table Rock Lake Shoreline Management Plan

Dear Corps of Engineers Decision Makers,

I am deeply concerned about the drastic changes that are being proposed in your draft Shoreline Management Plan for Table Rock Lake. The community has been very clear in thousands of public comments submitted that we are opposed to over-regulation. We've asked many times for NO CHANGE to be made to the Plan, but there are several items of major concern:

- I object to the carrying capacity as it limits the right to use the lake.
- I object to tighter restrictions placed upon vegetative management permits.
- I object to the new non-transferable grandfathered vegetative management permit rule.
- I object to financial hardships of removing electricity from the lake.
- I object to only one request every five years for dock modification.
- I object to the 8' depth requirement for any new docks.

I would ask that the Shoreline Management Plan NOT be changed. At the very least, please do not allow the changes noted above to go into effect. It would have a devastating economic impact and would be detrimental to the public's right to use and enjoy our lake.

I am encouraged that the public's comments during the process have been acknowledged by the Corps. Thank you for listening. Please continue to help us protect our rights to use and enjoy our beautiful lake.

Sincerely,

20170825_Frenzel_C-W

Cindy Frenzel

From: CESWL-Table Rock Shoreline Management Plan Update <CESWL-TableRockShorelineManagementPlanUpdate@usace.army.mil>
Sent: Tuesday, August 29, 2017 8:14 AM
To: Murphy, Gina L.
Subject: FW: [EXTERNAL] Table Rock Lake Shoreline Management Plan

-----Original Message-----

From: Jon`Frenzel [<mailto:jafrenzel621@gmail.com>]
Sent: Friday, August 25, 2017 6:00 PM
To: CESWL-Table Rock Shoreline Management Plan Update <CESWL-TableRockShorelineManagementPlanUpdate@usace.army.mil>; savetablerock@gmail.com
Subject: [EXTERNAL] Table Rock Lake Shoreline Management Plan

TO: Corps of Engineers Decision Makers

FROM: Jon Frenzel

RE: Table Rock Lake Shoreline Management Plan

Dear Corps of Engineers Decision Makers,

I am deeply concerned about the drastic changes that are being proposed in your draft Shoreline Management Plan for Table Rock Lake. The community has been very clear in thousands of public comments submitted that we are opposed to over-regulation. We've asked many times for NO CHANGE to be made to the Plan, but there are several items of major concern:

- I object to the carrying capacity as it limits the right to use the lake.
- I object to tighter restrictions placed upon vegetative management permits.
- I object to the new non-transferable grandfathered vegetative management permit rule.
- I object to financial hardships of removing electricity from the lake.
- I object to only one request every five years for dock modification.
- I object to the 8' depth requirement for any new docks.

I would ask that the Shoreline Management Plan NOT be changed. At the very least, please do not allow the changes noted above to go into effect. It would have a devastating economic impact and would be detrimental to the public's right to use and enjoy our lake.

I am encouraged that the public's comments during the process have been acknowledged by the Corps. Thank you for listening. Please continue to help us protect our rights to use and enjoy our beautiful lake.

Sincerely,

20170825_Frenzel_J-W

Jon Frenzel

From: CESWL-Table Rock Shoreline Management Plan Update <CESWL-TableRockShorelineManagementPlanUpdate@usace.army.mil>
Sent: Tuesday, August 29, 2017 8:13 AM
To: Murphy, Gina L.
Subject: FW: [EXTERNAL] Table Rock Lake Shoreline Management Plan

-----Original Message-----

From: Chris `Gist [<mailto:hawghunter2@yahoo.com>]
Sent: Friday, August 25, 2017 3:28 PM
To: CESWL-Table Rock Shoreline Management Plan Update <CESWL-TableRockShorelineManagementPlanUpdate@usace.army.mil>; savetablerock@gmail.com
Subject: [EXTERNAL] Table Rock Lake Shoreline Management Plan

TO: Corps of Engineers Decision Makers

FROM: Chris Gist

RE: Table Rock Lake Shoreline Management Plan

Dear Corps of Engineers Decision Makers,

I am deeply concerned about the drastic changes that are being proposed in your draft Shoreline Management Plan for Table Rock Lake. The community has been very clear in thousands of public comments submitted that we are opposed to over-regulation. We've asked many times for NO CHANGE to be made to the Plan, but there are several items of major concern:

- I object to the carrying capacity as it limits the right to use the lake.
- I object to tighter restrictions placed upon vegetative management permits.
- I object to the new non-transferable grandfathered vegetative management permit rule.
- I object to financial hardships of removing electricity from the lake.
- I object to only one request every five years for dock modification.
- I object to the 8' depth requirement for any new docks.

I would ask that the Shoreline Management Plan NOT be changed. At the very least, please do not allow the changes noted above to go into effect. It would have a devastating economic impact and would be detrimental to the public's right to use and enjoy our lake.

Keep Tablerock lake the way it is

I am encouraged that the public's comments during the process have been acknowledged by the Corps. Thank you for listening. Please continue to help us protect our rights to use and enjoy our beautiful lake.

20170825_Gist_C-W

Sincerely,

Chris Gist

From: CESWL-Table Rock Shoreline Management Plan Update <CESWL-TableRockShorelineManagementPlanUpdate@usace.army.mil>
Sent: Tuesday, August 29, 2017 8:16 AM
To: Murphy, Gina L.
Subject: FW: [EXTERNAL] Table Rock Lake Shoreline Management Plan

-----Original Message-----

From: Rob`Goldman [<mailto:robanngold1991@gmail.com>]
Sent: Friday, August 25, 2017 10:52 PM
To: CESWL-Table Rock Shoreline Management Plan Update <CESWL-TableRockShorelineManagementPlanUpdate@usace.army.mil>; savetablerock@gmail.com
Subject: [EXTERNAL] Table Rock Lake Shoreline Management Plan

TO: Corps of Engineers Decision Makers

FROM: Rob Goldman

RE: Table Rock Lake Shoreline Management Plan

Dear Corps of Engineers Decision Makers,

I am deeply concerned about the drastic changes that are being proposed in your draft Shoreline Management Plan for Table Rock Lake. The community has been very clear in thousands of public comments submitted that we are opposed to over-regulation. We've asked many times for NO CHANGE to be made to the Plan, but there are several items of major concern:

- I object to the carrying capacity as it limits the right to use the lake.
- I object to tighter restrictions placed upon vegetative management permits.
- I object to the new non-transferable grandfathered vegetative management permit rule.
- I object to financial hardships of removing electricity from the lake.
- I object to only one request every five years for dock modification.
- I object to the 8' depth requirement for any new docks.

I would ask that the Shoreline Management Plan NOT be changed. At the very least, please do not allow the changes noted above to go into effect. It would have a devastating economic impact and would be detrimental to the public's right to use and enjoy our lake.

Any action you take to Implement these new rules will have political consequences. We will use the ballot box to remove or recall any politicians or members of the COE that push the implementation of these unnecessary restrictions.

20170825_Goldman_R-WA

Over restrictions is not the answer. This is the people's lake, a family lake. We will not stand by and have government overregulate, micromanage our lake unnecessarily.

I am encouraged that the public's comments during the process have been acknowledged by the Corps. Thank you for listening. Please continue to help us protect our rights to use and enjoy our beautiful lake.

Sincerely,

Rob Goldman

From: CESWL-Table Rock Shoreline Management Plan Update <CESWL-TableRockShorelineManagementPlanUpdate@usace.army.mil>
Sent: Friday, August 25, 2017 10:38 AM
To: Murphy, Gina L.
Subject: FW: [Non-DoD Source] Table Rock Lake Shoreline Management Plan

-----Original Message-----

From: Lisa`Gustin [<mailto:spunkie150@aol.com>]
Sent: Friday, August 25, 2017 12:26 AM
To: CESWL-Table Rock Shoreline Management Plan Update <CESWL-TableRockShorelineManagementPlanUpdate@usace.army.mil>; savetablerock@gmail.com
Subject: [Non-DoD Source] Table Rock Lake Shoreline Management Plan

TO: Corps of Engineers Decision Makers

FROM: Lisa Gustin

RE: Table Rock Lake Shoreline Management Plan

Dear Corps of Engineers Decision Makers,

I am deeply concerned about the drastic changes that are being proposed in your draft Shoreline Management Plan for Table Rock Lake. The community has been very clear in thousands of public comments submitted that we are opposed to over-regulation. We've asked many times for NO CHANGE to be made to the Plan, but there are several items of major concern:

- I object to the carrying capacity as it limits the right to use the lake.
- I object to tighter restrictions placed upon vegetative management permits.
- I object to the new non-transferable grandfathered vegetative management permit rule.
- I object to financial hardships of removing electricity from the lake.
- I object to only one request every five years for dock modification.
- I object to the 8' depth requirement for any new docks.

I would ask that the Shoreline Management Plan NOT be changed. At the very least, please do not allow the changes noted above to go into effect. It would have a devastating economic impact and would be detrimental to the public's right to use and enjoy our lake.

These proposed changes are plain nutty.

I am encouraged that the public's comments during the process have been acknowledged by the Corps. Thank you for listening. Please continue to help us protect our rights to use and enjoy our beautiful lake.

20170825_Gustin_L-W

Sincerely,

Lisa Gustin

From: CESWL-Table Rock Shoreline Management Plan Update <CESWL-TableRockShorelineManagementPlanUpdate@usace.army.mil>
Sent: Tuesday, August 29, 2017 8:08 AM
To: Murphy, Gina L.
Subject: FW: [Non-DoD Source] Table Rock Lake Shoreline Management Plan

-----Original Message-----

From: John`Harmon [<mailto:johnharmon660@gmail.com>]
Sent: Friday, August 25, 2017 12:27 PM
To: CESWL-Table Rock Shoreline Management Plan Update <CESWL-TableRockShorelineManagementPlanUpdate@usace.army.mil>; savetablerock@gmail.com
Subject: [Non-DoD Source] Table Rock Lake Shoreline Management Plan

FROM: John Harmon

RE: Table Rock Lake Shoreline Management Plan

Dear Corps of Engineers Decision Makers,

I am deeply concerned about the drastic changes that are being proposed in your draft Shoreline Management Plan for Table Rock Lake. The community has been very clear in thousands of public comments submitted that we are opposed to over-regulation. We've asked many times for NO CHANGE to be made to the Plan, but there are several items of major concern:

- I object to the carrying capacity as it limits the right to use the lake.
- I object to tighter restrictions placed upon vegetative management permits.
- I object to the new non-transferable grandfathered vegetative management permit rule.
- I object to financial hardships of removing electricity from the lake.
- I object to only one request every five years for dock modification.
- I object to the 8' depth requirement for any new docks.

I would ask that the Shoreline Management Plan NOT be changed. At the very least, please do not allow the changes noted above to go into effect. It would have a devastating economic impact and would be detrimental to the public's right to use and enjoy our lake.

The existing plan has worked very well for all and no changes need to be made to the current program. Some of the proposed items, if true, make no sense, such as the removal of "no wake" zones, outlawing certain equipment stored on docks and in locker boxes, parking golf carts on Corps land by our community docks (we pay for various permits with the Corps for the right to do so and make great efforts to keep the areas clean, well managed and provide safe accessibility). I agree that the above mentioned items are also of major concern to all of us who enjoy the lake and have made significant

20170825_Harmon_J-WA

investments there. Please keep in mind, the Corps does not own the lake. The Corps is merely the caretaker for a resource used and paid for by taxpayers. The partnership of the Corps of Engineers and taxpayers/users has performed well over the history of the lake and I don't see any reason why it can't continue. Thanks for your consideration.

I am encouraged that the public's comments during the process have been acknowledged by the Corps. Thank you for listening. Please continue to help us protect our rights to use and enjoy our beautiful lake.

Sincerely,

John Harmon

From: CESWL-Table Rock Shoreline Management Plan Update <CESWL-TableRockShorelineManagementPlanUpdate@usace.army.mil>
Sent: Friday, August 25, 2017 10:39 AM
To: Murphy, Gina L.
Subject: FW: [Non-DoD Source] Table Rock Lake Shoreline Management Plan

-----Original Message-----

From: Vicki Harrold [<mailto:v.harrold@hotmail.com>]
Sent: Friday, August 25, 2017 7:45 AM
To: CESWL-Table Rock Shoreline Management Plan Update <CESWL-TableRockShorelineManagementPlanUpdate@usace.army.mil>; savetablerock@gmail.com
Subject: [Non-DoD Source] Table Rock Lake Shoreline Management Plan

TO: Corps of Engineers Decision Makers

FROM: Vicki Harrold

RE: Table Rock Lake Shoreline Management Plan

Dear Corps of Engineers Decision Makers,

I am deeply concerned about the drastic changes that are being proposed in your draft Shoreline Management Plan for Table Rock Lake. The community has been very clear in thousands of public comments submitted that we are opposed to over-regulation. We've asked many times for NO CHANGE to be made to the Plan, but there are several items of major concern:

- I object to the carrying capacity as it limits the right to use the lake.
- I object to tighter restrictions placed upon vegetative management permits.
- I object to the new non-transferable grandfathered vegetative management permit rule.
- I object to financial hardships of removing electricity from the lake.
- I object to only one request every five years for dock modification.
- I object to the 8' depth requirement for any new docks.

I would ask that the Shoreline Management Plan NOT be changed. At the very least, please do not allow the changes noted above to go into effect. It would have a devastating economic impact and would be detrimental to the public's right to use and enjoy our lake.

We take care of the shoreline.... we enjoy the view and what others to enjoy the lake and the view. We boat safe and responsibly...

Please leave our lake alone.... we can take care of it!!!

20170825_Harrold_V-WA

We appreciate all the Corps does but you don't need to do it all....let us do our part and don't limit us!

Thank you,

I am encouraged that the public's comments during the process have been acknowledged by the Corps. Thank you for listening. Please continue to help us protect our rights to use and enjoy our beautiful lake.

Sincerely,

Vicki Harrold

From: CESWL-Table Rock Shoreline Management Plan Update <CESWL-TableRockShorelineManagementPlanUpdate@usace.army.mil>
Sent: Tuesday, August 29, 2017 8:10 AM
To: Murphy, Gina L.
Subject: FW: [Non-DoD Source] Table Rock Lake Shoreline Management Plan

-----Original Message-----

From: Scott Hasty [<mailto:phoenix8.sph@gmail.com>]
Sent: Friday, August 25, 2017 1:14 PM
To: CESWL-Table Rock Shoreline Management Plan Update <CESWL-TableRockShorelineManagementPlanUpdate@usace.army.mil>; savetablerock@gmail.com
Subject: [Non-DoD Source] Table Rock Lake Shoreline Management Plan

TO: Corps of Engineers Decision Makers

FROM: Scott Hasty

RE: Table Rock Lake Shoreline Management Plan

Dear Corps of Engineers Decision Makers,

I am deeply concerned about the drastic changes that are being proposed in your draft Shoreline Management Plan for Table Rock Lake. The community has been very clear in thousands of public comments submitted that we are opposed to over-regulation. We've asked many times for NO CHANGE to be made to the Plan, but there are several items of major concern:

- I object to the carrying capacity as it limits the right to use the lake.
- I object to tighter restrictions placed upon vegetative management permits.
- I object to the new non-transferable grandfathered vegetative management permit rule.
- I object to financial hardships of removing electricity from the lake.
- I object to only one request every five years for dock modification.
- I object to the 8' depth requirement for any new docks.

I would ask that the Shoreline Management Plan NOT be changed. At the very least, please do not allow the changes noted above to go into effect. It would have a devastating economic impact and would be detrimental to the public's right to use and enjoy our lake.

I am encouraged that the public's comments during the process have been acknowledged by the Corps. Thank you for listening. Please continue to help us protect our rights to use and enjoy our beautiful lake.

Sincerely,

20170825_Hasty_S-W

Scott Hasty

From: CESWL-Table Rock Shoreline Management Plan Update <CESWL-TableRockShorelineManagementPlanUpdate@usace.army.mil>
Sent: Tuesday, August 29, 2017 8:11 AM
To: Murphy, Gina L.
Subject: FW: [Non-DoD Source] Table Rock Lake Shoreline Management Plan

-----Original Message-----

From: Cynthia`Heller [<mailto:insurers2@yahoo.com>]
Sent: Friday, August 25, 2017 2:50 PM
To: CESWL-Table Rock Shoreline Management Plan Update <CESWL-TableRockShorelineManagementPlanUpdate@usace.army.mil>; savetablerock@gmail.com
Subject: [Non-DoD Source] Table Rock Lake Shoreline Management Plan

TO: Corps of Engineers Decision Makers

FROM: Cynthia Heller

RE: Table Rock Lake Shoreline Management Plan

Dear Corps of Engineers Decision Makers,

I am deeply concerned about the drastic changes that are being proposed in your draft Shoreline Management Plan for Table Rock Lake. The community has been very clear in thousands of public comments submitted that we are opposed to over-regulation. We've asked many times for NO CHANGE to be made to the Plan, but there are several items of major concern:

- I object to the carrying capacity as it limits the right to use the lake.
- I object to tighter restrictions placed upon vegetative management permits.
- I object to the new non-transferable grandfathered vegetative management permit rule.
- I object to financial hardships of removing electricity from the lake.
- I object to only one request every five years for dock modification.
- I object to the 8' depth requirement for any new docks.

I would ask that the Shoreline Management Plan NOT be changed. At the very least, please do not allow the changes noted above to go into effect. It would have a devastating economic impact and would be detrimental to the public's right to use and enjoy our lake.

I am part of a family that has owned property on Table Rock Lake for many, many years, first as a bare lot that we would boat past and dream about how someday we would have a house to stay in. And then that dream became a reality and we have now had many years of generations of family memories and

20170825_Heller_C-WA

fun on Table Rock. Please do not impose changes that will become hardships for families like ours and limit the memories that I know are to come.

Our family is one with several small children that love so much to swim in front of our dock. Outlawing "No Wake Buoys" concerns me greatly as I fear boats and jet skis will then have no boundaries and will be much too close to the docks at too high of a speed to be able to watch carefully for the little swimmers that may be in the water. I also feel that not allowing the occasional parking of golf carts, ATV's etc in front of community or private docks is also going beyond what is necessary to regulate Corp property. We like most families use our good judgment and are courteous to other dock owners. Please DO NOT fix what IS NOT broken!! Table Rock Lake is a great place!!

I am encouraged that the public's comments during the process have been acknowledged by the Corps. Thank you for listening. Please continue to help us protect our rights to use and enjoy our beautiful lake.

Sincerely,

Cynthia Heller

From: CESWL-Table Rock Shoreline Management Plan Update <CESWL-TableRockShorelineManagementPlanUpdate@usace.army.mil>
Sent: Tuesday, August 29, 2017 8:13 AM
To: Murphy, Gina L.
Subject: FW: [EXTERNAL] Table Rock Lake Shoreline Management Plan

-----Original Message-----

From: Mindy`Howland [mailto:min_howland@yahoo.com]
Sent: Friday, August 25, 2017 4:50 PM
To: CESWL-Table Rock Shoreline Management Plan Update <CESWL-TableRockShorelineManagementPlanUpdate@usace.army.mil>; savetablerock@gmail.com
Subject: [EXTERNAL] Table Rock Lake Shoreline Management Plan

TO: Corps of Engineers Decision Makers

FROM: Mindy Howland

RE: Table Rock Lake Shoreline Management Plan

Dear Corps of Engineers Decision Makers,

I am deeply concerned about the drastic changes that are being proposed in your draft Shoreline Management Plan for Table Rock Lake. The community has been very clear in thousands of public comments submitted that we are opposed to over-regulation. We've asked many times for NO CHANGE to be made to the Plan, but there are several items of major concern:

- I object to the carrying capacity as it limits the right to use the lake.
- I object to tighter restrictions placed upon vegetative management permits.
- I object to the new non-transferable grandfathered vegetative management permit rule.
- I object to financial hardships of removing electricity from the lake.
- I object to only one request every five years for dock modification.
- I object to the 8' depth requirement for any new docks.

I would ask that the Shoreline Management Plan NOT be changed. At the very least, please do not allow the changes noted above to go into effect. It would have a devastating economic impact and would be detrimental to the public's right to use and enjoy our lake.

I am encouraged that the public's comments during the process have been acknowledged by the Corps. Thank you for listening. Please continue to help us protect our rights to use and enjoy our beautiful lake.

Sincerely,

20170825_Howland_M-W

Mindy Howland

August 25, 2017

Table Rock Lake SMP/MP/EA Project Manager Programs and Project Management Division

Civil Works Branch

Little Rock District, U.S. Army Corps of Engineers

P.O. Box 867

Little Rock, AR 72203

To the Corps of Engineers:

My name is David Hunter and my family owns a property on Table Rock Lake and a dock in the same area of the lake. I am writing because of my concerns over possible changes in regulations regarding the use of, access, and management of the land and shoreline area around docks on Table Rock Lake. I have grown up using this area and have raised my children on the lake and hope to grow old with grandchildren on the lake so I feel I have legitimate concerns with the new regulations being considered for docks, their use and the shoreline management of Table Rock Lake.

We do not have power to our dock and do not plan to supply power to our dock in the future, but I do feel that the changes in regulations for power on docks would place unnecessary financial burden on dock owners no matter whether public or private. The Corps does inspect docks on a five year rotational basis and it seems that if there are issues with existing electrical hook-ups, those would be exposed and corrected when permit renewal time comes around. I do appreciate the Corps attempt to manage shoreline by limiting dock owners rights to mow back vegetation but these regulations seem to be adequate and limiting further seems to be excessive. My main areas of concern are with the removal of "No Wake Buoys", limiting what can and cannot be stored on docks, and the use of golf carts and access to areas around docks within Corps property. The location of our dock is a very busy cove and one where we do have "No Wake Buoys" in place. Throughout the busy season on the lake, our dock is constantly being beaten up by wave action and that is with "No Wake Buoys" in place. The buffer zone between the buoys and docks allows for the waves to decrease in severity and does allow a place for swimmers and other activities to take place with some confidence and safety from boat traffic. I believe the removal of these buoys would increase the damage to docks, decrease the safety of people around the docks and with boats getting closer to the docks, the shoreline would also be more susceptible to erosion and damage. My experience is that whatever room you give boats to speed through; they will take it all as now they get as close to the buoys as possible and even come inside them when there is an increase in traffic. If the owner maintenance of buoys is part of this issue, then it seems the issue is more one of current enforcement rather than an area where added regulation is the solution. I have no idea why anyone would think it is a good idea to not be able to store gear in dock boxes or lockers. After speaking to our local duty ranger, I do understand the issue of storing gear in the open on docks but as long as people store their fishing equipment or lake toys in lockers or boats, there should be no reason to outlaw having equipment on docks, especially things like tables and chairs. The

20170825_Hunter_D

same concern can be stated for use of golf carts down to dock areas. We actually do have a road down to the area close to our dock, one that we do pay a fee for with the dock permit, and one that has never been maintained in my lifetime – at least not by the Corps of Engineers. Limiting access to the docks by golf carts would not only be hard to regulate but would make it more difficult for elderly, disabled individuals and children to get to the dock area.

The existing shoreline management plan that is in place seems to be working well. I love the Table Rock Lake area and feel that the Corps of Engineers has done a great job in limiting the growth around the lake, especially the number of docks that line the shore. I hope that the Corps decides to maintain the current facilities and recreational opportunities on Table Rock Lake without adding more regulations, especially when it comes to the specifics that I have outlined in this letter.

Thank you for taking the time to review my concerns.

David Hunter



4021 W. 95th Terrace

Overland Park, KS 66207

(913) 645-2764

Dock permit #7346

From: CESWL-Table Rock Shoreline Management Plan Update <CESWL-TableRockShorelineManagementPlanUpdate@usace.army.mil>
Sent: Tuesday, August 29, 2017 8:07 AM
To: Murphy, Gina L.
Subject: FW: [Non-DoD Source] Table Rock Lake Shoreline Management Plan

-----Original Message-----

From: James`Ingalsbe [<mailto:jingalsbe@twc.com>]
Sent: Friday, August 25, 2017 11:16 AM
To: CESWL-Table Rock Shoreline Management Plan Update <CESWL-TableRockShorelineManagementPlanUpdate@usace.army.mil>; savetablerock@gmail.com
Subject: [Non-DoD Source] Table Rock Lake Shoreline Management Plan

TO: Corps of Engineers Decision Makers

FROM: James Ingalsbe

RE: Table Rock Lake Shoreline Management Plan

Dear Corps of Engineers Decision Makers,

I am deeply concerned about the drastic changes that are being proposed in your draft Shoreline Management Plan for Table Rock Lake. The community has been very clear in thousands of public comments submitted that we are opposed to over-regulation. We've asked many times for NO CHANGE to be made to the Plan, but there are several items of major concern:

- I object to the carrying capacity as it limits the right to use the lake.
- I object to tighter restrictions placed upon vegetative management permits.
- I object to the new non-transferable grandfathered vegetative management permit rule.
- I object to financial hardships of removing electricity from the lake.
- I object to only one request every five years for dock modification.
- I object to the 8' depth requirement for any new docks.

I would ask that the Shoreline Management Plan NOT be changed. At the very least, please do not allow the changes noted above to go into effect. It would have a devastating economic impact and would be detrimental to the public's right to use and enjoy our lake.

The current management plan has been keeping a good balance between public use and good preservation intentions. The best way to preserve the shoreline and water quality is to maintain the water level at a consistent level. The recent high water during May did more damage than any public use has done in years.

20170825_Ingalsbe_J-WA

I am encouraged that the public's comments during the process have been acknowledged by the Corps. Thank you for listening. Please continue to help us protect our rights to use and enjoy our beautiful lake.

Sincerely,

James Ingalsbe

From: CESWL-Table Rock Shoreline Management Plan Update <CESWL-TableRockShorelineManagementPlanUpdate@usace.army.mil>
Sent: Friday, August 25, 2017 10:38 AM
To: Murphy, Gina L.
Subject: FW: [Non-DoD Source] Table Rock Lake Shoreline Management Plan

-----Original Message-----

From: Jeremy Johnson [<mailto:jeremy@417lighting.com>]
Sent: Friday, August 25, 2017 6:34 AM
To: CESWL-Table Rock Shoreline Management Plan Update <CESWL-TableRockShorelineManagementPlanUpdate@usace.army.mil>; savetablerock@gmail.com
Subject: [Non-DoD Source] Table Rock Lake Shoreline Management Plan

TO: Corps of Engineers Decision Makers

FROM: Jeremy Johnson

RE: Table Rock Lake Shoreline Management Plan

Dear Corps of Engineers Decision Makers,

I am deeply concerned about the drastic changes that are being proposed in your draft Shoreline Management Plan for Table Rock Lake. The community has been very clear in thousands of public comments submitted that we are opposed to over-regulation. We've asked many times for NO CHANGE to be made to the Plan, but there are several items of major concern:

- I object to the carrying capacity as it limits the right to use the lake.
- I object to tighter restrictions placed upon vegetative management permits.
- I object to the new non-transferable grandfathered vegetative management permit rule.
- I object to financial hardships of removing electricity from the lake.
- I object to only one request every five years for dock modification.
- I object to the 8' depth requirement for any new docks.

I would ask that the Shoreline Management Plan NOT be changed. At the very least, please do not allow the changes noted above to go into effect. It would have a devastating economic impact and would be detrimental to the public's right to use and enjoy our lake.

I am encouraged that the public's comments during the process have been acknowledged by the Corps. Thank you for listening. Please continue to help us protect our rights to use and enjoy our beautiful lake.

Sincerely,

20170825_Johnson_J-W

Jeremy Johnson

From: CESWL-Table Rock Shoreline Management Plan Update <CESWL-TableRockShorelineManagementPlanUpdate@usace.army.mil>
Sent: Friday, August 25, 2017 10:41 AM
To: Murphy, Gina L.
Subject: FW: [Non-DoD Source] Table Rock Lake Shoreline Management Plan

-----Original Message-----

From: Wayne`Johnstone [<mailto:waynejohnstone57@gmail.com>]
Sent: Friday, August 25, 2017 9:28 AM
To: CESWL-Table Rock Shoreline Management Plan Update <CESWL-TableRockShorelineManagementPlanUpdate@usace.army.mil>; savetablerock@gmail.com
Subject: [Non-DoD Source] Table Rock Lake Shoreline Management Plan

TO: Corps of Engineers Decision Makers

FROM: Wayne Johnstone

RE: Table Rock Lake Shoreline Management Plan

Dear Corps of Engineers Decision Makers,

I am deeply concerned about the drastic changes that are being proposed in your draft Shoreline Management Plan for Table Rock Lake. The community has been very clear in thousands of public comments submitted that we are opposed to over-regulation. We've asked many times for NO CHANGE to be made to the Plan, but there are several items of major concern:

- I object to the carrying capacity as it limits the right to use the lake.
- I object to tighter restrictions placed upon vegetative management permits.
- I object to the new non-transferable grandfathered vegetative management permit rule.
- I object to financial hardships of removing electricity from the lake.
- I object to only one request every five years for dock modification.
- I object to the 8' depth requirement for any new docks.

I would ask that the Shoreline Management Plan NOT be changed. At the very least, please do not allow the changes noted above to go into effect. It would have a devastating economic impact and would be detrimental to the public's right to use and enjoy our lake.

I am encouraged that the public's comments during the process have been acknowledged by the Corps. Thank you for listening. Please continue to help us protect our rights to use and enjoy our beautiful lake.

Sincerely,

20170825_Johnstone_W-W

Wayne Johnstone

From: CESWL-Table Rock Shoreline Management Plan Update <CESWL-TableRockShorelineManagementPlanUpdate@usace.army.mil>
Sent: Friday, August 25, 2017 10:40 AM
To: Murphy, Gina L.
Subject: FW: [Non-DoD Source] Table Rock Lake Shoreline Management Plan

-----Original Message-----

From: Bryce Jones [<mailto:brycejones@penfedrealty.com>]
Sent: Friday, August 25, 2017 8:00 AM
To: CESWL-Table Rock Shoreline Management Plan Update <CESWL-TableRockShorelineManagementPlanUpdate@usace.army.mil>; savetablerock@gmail.com
Subject: [Non-DoD Source] Table Rock Lake Shoreline Management Plan

TO: Corps of Engineers Decision Makers

FROM: Bryce Jones

RE: Table Rock Lake Shoreline Management Plan

Dear Corps of Engineers Decision Makers,

I am deeply concerned about the drastic changes that are being proposed in your draft Shoreline Management Plan for Table Rock Lake. The community has been very clear in thousands of public comments submitted that we are opposed to over-regulation. We've asked many times for NO CHANGE to be made to the Plan, but there are several items of major concern:

- I object to the carrying capacity as it limits the right to use the lake.
- I object to tighter restrictions placed upon vegetative management permits.
- I object to the new non-transferable grandfathered vegetative management permit rule.
- I object to financial hardships of removing electricity from the lake.
- I object to only one request every five years for dock modification.
- I object to the 8' depth requirement for any new docks.

I would ask that the Shoreline Management Plan NOT be changed. At the very least, please do not allow the changes noted above to go into effect. It would have a devastating economic impact and would be detrimental to the public's right to use and enjoy our lake.

I am encouraged that the public's comments during the process have been acknowledged by the Corps. Thank you for listening. Please continue to help us protect our rights to use and enjoy our beautiful lake.

Sincerely,

20170825_Jones_B-W

Bryce Jones

From: CESWL-Table Rock Shoreline Management Plan Update <CESWL-TableRockShorelineManagementPlanUpdate@usace.army.mil>
Sent: Friday, August 25, 2017 10:41 AM
To: Murphy, Gina L.
Subject: FW: [Non-DoD Source] Table Rock Lake Shoreline Management Plan

-----Original Message-----

From: Deborah`Kanyo [<mailto:kanyodebbie11@gmail.com>]
Sent: Friday, August 25, 2017 9:26 AM
To: CESWL-Table Rock Shoreline Management Plan Update <CESWL-TableRockShorelineManagementPlanUpdate@usace.army.mil>; savetablerock@gmail.com
Subject: [Non-DoD Source] Table Rock Lake Shoreline Management Plan

TO: Corps of Engineers Decision Makers

FROM: Deborah Kanyo

RE: Table Rock Lake Shoreline Management Plan

Dear Corps of Engineers Decision Makers,

I am deeply concerned about the drastic changes that are being proposed in your draft Shoreline Management Plan for Table Rock Lake. The community has been very clear in thousands of public comments submitted that we are opposed to over-regulation. We've asked many times for NO CHANGE to be made to the Plan, but there are several items of major concern:

- I object to the carrying capacity as it limits the right to use the lake.
- I object to tighter restrictions placed upon vegetative management permits.
- I object to the new non-transferable grandfathered vegetative management permit rule.
- I object to financial hardships of removing electricity from the lake.
- I object to only one request every five years for dock modification.
- I object to the 8' depth requirement for any new docks.

I would ask that the Shoreline Management Plan NOT be changed. At the very least, please do not allow the changes noted above to go into effect. It would have a devastating economic impact and would be detrimental to the public's right to use and enjoy our lake.

We are a small community on the lake. We do not have the resources to pay for the proposed changes to the Shoreline Management Plan. The proposed plan infringes on our Constitutional rights. Please keep the Shoreline Management Plan the way it is currently states as this plan is working well.

20170825_Kanyo_D-WA

I am encouraged that the public's comments during the process have been acknowledged by the Corps. Thank you for listening. Please continue to help us protect our rights to use and enjoy our beautiful lake.

Sincerely,

Deborah Kanyo

From: CESWL-Table Rock Shoreline Management Plan Update <CESWL-TableRockShorelineManagementPlanUpdate@usace.army.mil>
Sent: Friday, August 25, 2017 10:40 AM
To: Murphy, Gina L.
Subject: FW: [Non-DoD Source] Table Rock Lake Shoreline Management Plan

-----Original Message-----

From: Laurena Klein [<mailto:laurieklein@associatedoffices.com>]
Sent: Friday, August 25, 2017 8:45 AM
To: CESWL-Table Rock Shoreline Management Plan Update <CESWL-TableRockShorelineManagementPlanUpdate@usace.army.mil>; savetablerock@gmail.com
Subject: [Non-DoD Source] Table Rock Lake Shoreline Management Plan

TO: Corps of Engineers Decision Makers

FROM: Laurena Klein

RE: Table Rock Lake Shoreline Management Plan

Dear Corps of Engineers Decision Makers,

I am deeply concerned about the drastic changes that are being proposed in your draft Shoreline Management Plan for Table Rock Lake. The community has been very clear in thousands of public comments submitted that we are opposed to over-regulation. We've asked many times for NO CHANGE to be made to the Plan, but there are several items of major concern:

- I object to the carrying capacity as it limits the right to use the lake.
- I object to tighter restrictions placed upon vegetative management permits.
- I object to the new non-transferable grandfathered vegetative management permit rule.
- I object to financial hardships of removing electricity from the lake.
- I object to only one request every five years for dock modification.
- I object to the 8' depth requirement for any new docks.

I would ask that the Shoreline Management Plan NOT be changed. At the very least, please do not allow the changes noted above to go into effect. It would have a devastating economic impact and would be detrimental to the public's right to use and enjoy our lake.

I am encouraged that the public's comments during the process have been acknowledged by the Corps. Thank you for listening. Please continue to help us protect our rights to use and enjoy our beautiful lake.

Sincerely,

20170825_Klein_L-W

Laurena Klein

From: CESWL-Table Rock Shoreline Management Plan Update <CESWL-TableRockShorelineManagementPlanUpdate@usace.army.mil>
Sent: Tuesday, August 29, 2017 8:15 AM
To: Murphy, Gina L.
Subject: FW: Comments

-----Original Message-----

From: Keith Kramer [<mailto:keith.kramer@ops.org>]
Sent: Friday, August 25, 2017 7:23 PM
To: CESWL-Table Rock Shoreline Management Plan Update <CESWL-TableRockShorelineManagementPlanUpdate@usace.army.mil>
Subject: [EXTERNAL] Comments

What is the rationale behind removing the "No Wake" bouys?

That seems too make it more dangerous?

Keith Kramer
R.M. Marrs Magnet Center
5619 South 19th Street
Omaha, NE 68107
(531) 299-8818

"They never care how much you know, until they know how much you care!"
Guy Dowd
Teacher of the year 1993

Omaha Public Schools does not discriminate. Click here <Blockedhttp://district.ops.org/ABOUTOPS/Non-DiscriminationStatement.aspx> to see our policy.
Las escuelas públicas de Omaha es no discriminar. Haga clic aquí <Blockedhttp://district.ops.org/ABOUTOPS/Non-DiscriminationStatement.aspx> para ver nuestra política.

20170825_Kramer_K

From: CESWL-Table Rock Shoreline Management Plan Update <CESWL-TableRockShorelineManagementPlanUpdate@usace.army.mil>
Sent: Tuesday, August 29, 2017 8:10 AM
To: Murphy, Gina L.
Subject: FW: [Non-DoD Source] Table Rock Lake Shoreline Management Plan

-----Original Message-----

From: Tim`Kersh [<mailto:kershphotography@gmail.com>]
Sent: Friday, August 25, 2017 1:36 PM
To: CESWL-Table Rock Shoreline Management Plan Update <CESWL-TableRockShorelineManagementPlanUpdate@usace.army.mil>; savetablerock@gmail.com
Subject: [Non-DoD Source] Table Rock Lake Shoreline Management Plan

TO: Corps of Engineers Decision Makers

FROM: Tim Kersh

RE: Table Rock Lake Shoreline Management Plan

Dear Corps of Engineers Decision Makers,

I am deeply concerned about the drastic changes that are being proposed in your draft Shoreline Management Plan for Table Rock Lake. The community has been very clear in thousands of public comments submitted that we are opposed to over-regulation. We've asked many times for NO CHANGE to be made to the Plan, but there are several items of major concern:

- I object to the carrying capacity as it limits the right to use the lake.
- I object to tighter restrictions placed upon vegetative management permits.
- I object to the new non-transferable grandfathered vegetative management permit rule.
- I object to financial hardships of removing electricity from the lake.
- I object to only one request every five years for dock modification.
- I object to the 8' depth requirement for any new docks.

I would ask that the Shoreline Management Plan NOT be changed. At the very least, please do not allow the changes noted above to go into effect. It would have a devastating economic impact and would be detrimental to the public's right to use and enjoy our lake.

I am encouraged that the public's comments during the process have been acknowledged by the Corps. Thank you for listening. Please continue to help us protect our rights to use and enjoy our beautiful lake.

Sincerely,

20170825_Kresh_T-W

Tim Kersh

From: CESWL-Table Rock Shoreline Management Plan Update <CESWL-TableRockShorelineManagementPlanUpdate@usace.army.mil>
Sent: Friday, August 25, 2017 10:40 AM
To: Murphy, Gina L.
Subject: FW: [Non-DoD Source] Table Rock Lake Shoreline Management Plan

-----Original Message-----

From: John`Langwell [<mailto:mfpd19@gmail.com>]
Sent: Friday, August 25, 2017 8:57 AM
To: CESWL-Table Rock Shoreline Management Plan Update <CESWL-TableRockShorelineManagementPlanUpdate@usace.army.mil>; savetablerock@gmail.com
Subject: [Non-DoD Source] Table Rock Lake Shoreline Management Plan

TO: Corps of Engineers Decision Makers

FROM: John Langwell

RE: Table Rock Lake Shoreline Management Plan

Dear Corps of Engineers Decision Makers,

I am deeply concerned about the drastic changes that are being proposed in your draft Shoreline Management Plan for Table Rock Lake. The community has been very clear in thousands of public comments submitted that we are opposed to over-regulation. We've asked many times for NO CHANGE to be made to the Plan, but there are several items of major concern:

- I object to the carrying capacity as it limits the right to use the lake.
- I object to tighter restrictions placed upon vegetative management permits.
- I object to the new non-transferable grandfathered vegetative management permit rule.
- I object to financial hardships of removing electricity from the lake.
- I object to only one request every five years for dock modification.
- I object to the 8' depth requirement for any new docks.

I would ask that the Shoreline Management Plan NOT be changed. At the very least, please do not allow the changes noted above to go into effect. It would have a devastating economic impact and would be detrimental to the public's right to use and enjoy our lake.

Leave table rock lake as it is. If its not broke why try and fix it.

I am encouraged that the public's comments during the process have been acknowledged by the Corps. Thank you for listening. Please continue to help us protect our rights to use and enjoy our beautiful lake.

20170825_Langwell_J-W

Sincerely,

John Langwell

From: CESWL-Table Rock Shoreline Management Plan Update <CESWL-TableRockShorelineManagementPlanUpdate@usace.army.mil>
Sent: Tuesday, August 29, 2017 8:12 AM
To: Murphy, Gina L.
Subject: FW: [EXTERNAL] Table Rock Lake Shoreline Management Plan

-----Original Message-----

From: Beandi`Lea [<mailto:whatsup942@yahoo.com>]
Sent: Friday, August 25, 2017 3:49 PM
To: CESWL-Table Rock Shoreline Management Plan Update <CESWL-TableRockShorelineManagementPlanUpdate@usace.army.mil>; savetablerock@gmail.com
Subject: [EXTERNAL] Table Rock Lake Shoreline Management Plan

TO: Corps of Engineers Decision Makers

FROM: Beandi Lea

RE: Table Rock Lake Shoreline Management Plan

Dear Corps of Engineers Decision Makers,

I am deeply concerned about the drastic changes that are being proposed in your draft Shoreline Management Plan for Table Rock Lake. The community has been very clear in thousands of public comments submitted that we are opposed to over-regulation. We've asked many times for NO CHANGE to be made to the Plan, but there are several items of major concern:

- I object to the carrying capacity as it limits the right to use the lake.
- I object to tighter restrictions placed upon vegetative management permits.
- I object to the new non-transferable grandfathered vegetative management permit rule.
- I object to financial hardships of removing electricity from the lake.
- I object to only one request every five years for dock modification.
- I object to the 8' depth requirement for any new docks.

I would ask that the Shoreline Management Plan NOT be changed. At the very least, please do not allow the changes noted above to go into effect. It would have a devastating economic impact and would be detrimental to the public's right to use and enjoy our lake.

The lake is a place family's go to spend time together and make memories. These changes will force family's out of the lakes because of cost. People will not be able to go to the lake and pay for changes and the ride in cost to docks as well.

20170825_Lea_B-WA

I am encouraged that the public's comments during the process have been acknowledged by the Corps. Thank you for listening. Please continue to help us protect our rights to use and enjoy our beautiful lake.

Sincerely,

Beandi Lea

From: CESWL-Table Rock Shoreline Management Plan Update <CESWL-TableRockShorelineManagementPlanUpdate@usace.army.mil>
Sent: Tuesday, August 29, 2017 8:08 AM
To: Murphy, Gina L.
Subject: FW: [Non-DoD Source] Table Rock Lake Shoreline Management Plan

-----Original Message-----

From: Kurtis`Liles [<mailto:kurtisliles@live.com>]
Sent: Friday, August 25, 2017 11:22 AM
To: CESWL-Table Rock Shoreline Management Plan Update <CESWL-TableRockShorelineManagementPlanUpdate@usace.army.mil>; savetablerock@gmail.com
Subject: [Non-DoD Source] Table Rock Lake Shoreline Management Plan

TO: Corps of Engineers Decision Makers

FROM: Kurtis Liles

RE: Table Rock Lake Shoreline Management Plan

Dear Corps of Engineers Decision Makers,

I am deeply concerned about the drastic changes that are being proposed in your draft Shoreline Management Plan for Table Rock Lake. The community has been very clear in thousands of public comments submitted that we are opposed to over-regulation. We've asked many times for NO CHANGE to be made to the Plan, but there are several items of major concern:

- I object to the carrying capacity as it limits the right to use the lake.
- I object to tighter restrictions placed upon vegetative management permits.
- I object to the new non-transferable grandfathered vegetative management permit rule.
- I object to financial hardships of removing electricity from the lake.
- I object to only one request every five years for dock modification.
- I object to the 8' depth requirement for any new docks.

I would ask that the Shoreline Management Plan NOT be changed. At the very least, please do not allow the changes noted above to go into effect. It would have a devastating economic impact and would be detrimental to the public's right to use and enjoy our lake.

I am encouraged that the public's comments during the process have been acknowledged by the Corps. Thank you for listening. Please continue to help us protect our rights to use and enjoy our beautiful lake.

Sincerely,

20170825_Liles_K-W

Kurtis Liles

From: CESWL-Table Rock Shoreline Management Plan Update <CESWL-TableRockShorelineManagementPlanUpdate@usace.army.mil>
Sent: Tuesday, August 29, 2017 8:10 AM
To: Murphy, Gina L.
Subject: FW: [Non-DoD Source] Table Rock Lake Shoreline Management Plan

-----Original Message-----

From: Patti Lindsay [<mailto:jpilindsay53@yahoo.com>]
Sent: Friday, August 25, 2017 1:41 PM
To: CESWL-Table Rock Shoreline Management Plan Update <CESWL-TableRockShorelineManagementPlanUpdate@usace.army.mil>; savetablerock@gmail.com
Subject: [Non-DoD Source] Table Rock Lake Shoreline Management Plan

TO: Corps of Engineers Decision Makers

FROM: Patti Lindsay

RE: Table Rock Lake Shoreline Management Plan

Dear Corps of Engineers Decision Makers,

I am deeply concerned about the drastic changes that are being proposed in your draft Shoreline Management Plan for Table Rock Lake. The community has been very clear in thousands of public comments submitted that we are opposed to over-regulation. We've asked many times for NO CHANGE to be made to the Plan, but there are several items of major concern:

- I object to the carrying capacity as it limits the right to use the lake.
- I object to tighter restrictions placed upon vegetative management permits.
- I object to the new non-transferable grandfathered vegetative management permit rule.
- I object to financial hardships of removing electricity from the lake.
- I object to only one request every five years for dock modification.
- I object to the 8' depth requirement for any new docks.

I would ask that the Shoreline Management Plan NOT be changed. At the very least, please do not allow the changes noted above to go into effect. It would have a devastating economic impact and would be detrimental to the public's right to use and enjoy our lake.

1. Power line removal – While this sounds good in theory, the reality is that this is unnecessary and extremely cost prohibitive. The Corps already requires that each dock have an electrical inspection when permits are renewed. Electrocutation is extremely rare. Converting to solar or wind power should be a dock decision. Our dock, like many, is owned by retired individuals living on a limited income. Many used

their life savings to move here and several continue to work at various jobs just to get by. We can't afford to come up with extra money to make such costly improvements.

2. Outlawing storage of personal items – Telling slip owners they are not allowed to keep fishing poles, skis, etc., in storage lockers on docks is not practical. One of the reasons owners buy docks is so they don't have to haul their equipment back and forth between their homes and dock. Items are insured, stored, and locked. They do not create a danger to any person or to the environment.

3. Outlawing no-wake buoys – We all swim beside our docks and the buoys are a huge deterrent in keeping boats from speeding close by our docks. They help keep swimmers safe and help keep our docks from rocking too much. They are not a hazard.

4. Outlawing driving or parking golf carts or ATVs – Many docks, including ours, have a limited amount of parking space on the road in front of the dock. There is not enough room for more than 4 cars, but there is plenty of room for 8-10 golf carts. As we live on a mountain setting off DD Highway, there is no way our slip owners, whose average age is 65, can walk to our dock. By eliminating golf carts, the Corps would be eliminating the ability of our slip owners from accessing the slips they own. If fishing equipment, skis, etc., are not allowed to be stored on the dock, as mentioned in item #2, this doubles the disability the Corps is bestowing on our elderly slip owners. You are taking away the privilege of fishing off the dock for our seniors! Please reconsider!

5. Vegetative permits – Those who live by the lake and slip owners who care for the vegetation around the dock are conscious of maintaining the lake as a natural resource. We don't need additional restrictions that make maintenance more difficult or costly.

6. Modification of docks -- It appears that this has been handled on a case-by-case basis, and while guidelines need to be in place, placing arbitrary limits and restrictions is unnecessary.

7. Lake carrying capacity – Please do not limit access!

I am encouraged that the public's comments during the process have been acknowledged by the Corps. Thank you for listening. Please continue to help us protect our rights to use and enjoy our beautiful lake.

Sincerely,

Patti Lindsay

From: CESWL-Table Rock Shoreline Management Plan Update <CESWL-TableRockShorelineManagementPlanUpdate@usace.army.mil>
Sent: Friday, August 25, 2017 10:41 AM
To: Murphy, Gina L.
Subject: FW: [Non-DoD Source] Table Rock Lake Shoreline Management Plan

-----Original Message-----

From: Tim `Ludwig [<mailto:timfishngolf@gmail.com>]
Sent: Friday, August 25, 2017 9:31 AM
To: CESWL-Table Rock Shoreline Management Plan Update <CESWL-TableRockShorelineManagementPlanUpdate@usace.army.mil>; savetablerock@gmail.com
Subject: [Non-DoD Source] Table Rock Lake Shoreline Management Plan

TO: Corps of Engineers Decision Makers

FROM: Tim Ludwig

RE: Table Rock Lake Shoreline Management Plan

Dear Corps of Engineers Decision Makers,

I am deeply concerned about the drastic changes that are being proposed in your draft Shoreline Management Plan for Table Rock Lake. The community has been very clear in thousands of public comments submitted that we are opposed to over-regulation. We've asked many times for NO CHANGE to be made to the Plan, but there are several items of major concern:

- I object to the carrying capacity as it limits the right to use the lake.
- I object to tighter restrictions placed upon vegetative management permits.
- I object to the new non-transferable grandfathered vegetative management permit rule.
- I object to financial hardships of removing electricity from the lake.
- I object to only one request every five years for dock modification.
- I object to the 8' depth requirement for any new docks.

I would ask that the Shoreline Management Plan NOT be changed. At the very least, please do not allow the changes noted above to go into effect. It would have a devastating economic impact and would be detrimental to the public's right to use and enjoy our lake.

I am encouraged that the public's comments during the process have been acknowledged by the Corps. Thank you for listening. Please continue to help us protect our rights to use and enjoy our beautiful lake.

Sincerely,

20170825_Ludwig_T-W

Tim Ludwig

From: CESWL-Table Rock Shoreline Management Plan Update <CESWL-TableRockShorelineManagementPlanUpdate@usace.army.mil>
Sent: Friday, August 25, 2017 10:37 AM
To: Murphy, Gina L.
Subject: FW: [Non-DoD Source] Table Rock Lake Shoreline Management Plan

-----Original Message-----

From: Bob`Luebbe [<mailto:bluebbe59@gmail.com>]
Sent: Friday, August 25, 2017 12:21 AM
To: CESWL-Table Rock Shoreline Management Plan Update <CESWL-TableRockShorelineManagementPlanUpdate@usace.army.mil>; savetablerock@gmail.com
Subject: [Non-DoD Source] Table Rock Lake Shoreline Management Plan

TO: Corps of Engineers Decision Makers

FROM: Bob Luebbe

RE: Table Rock Lake Shoreline Management Plan

Dear Corps of Engineers Decision Makers,

I am deeply concerned about the drastic changes that are being proposed in your draft Shoreline Management Plan for Table Rock Lake. The community has been very clear in thousands of public comments submitted that we are opposed to over-regulation. We've asked many times for NO CHANGE to be made to the Plan, but there are several items of major concern:

- I object to the carrying capacity as it limits the right to use the lake.
- I object to tighter restrictions placed upon vegetative management permits.
- I object to the new non-transferable grandfathered vegetative management permit rule.
- I object to financial hardships of removing electricity from the lake.
- I object to only one request every five years for dock modification.
- I object to the 8' depth requirement for any new docks.

I would ask that the Shoreline Management Plan NOT be changed. At the very least, please do not allow the changes noted above to go into effect. It would have a devastating economic impact and would be detrimental to the public's right to use and enjoy our lake.

I am encouraged that the public's comments during the process have been acknowledged by the Corps. Thank you for listening. Please continue to help us protect our rights to use and enjoy our beautiful lake.

Sincerely,

20170825_Luebbe_B-W

Bob Luebbe

From: CESWL-Table Rock Shoreline Management Plan Update <CESWL-TableRockShorelineManagementPlanUpdate@usace.army.mil>
Sent: Tuesday, August 29, 2017 8:11 AM
To: Murphy, Gina L.
Subject: FW: [Non-DoD Source] Table Rock Lake Shoreline Management Plan

-----Original Message-----

From: James`Lyll [<mailto:j.lyall@sbcgloval.net>]
Sent: Friday, August 25, 2017 1:44 PM
To: CESWL-Table Rock Shoreline Management Plan Update <CESWL-TableRockShorelineManagementPlanUpdate@usace.army.mil>; savetablerock@gmail.com
Subject: [Non-DoD Source] Table Rock Lake Shoreline Management Plan

TO: Corps of Engineers Decision Makers

FROM: James Lyll

RE: Table Rock Lake Shoreline Management Plan

Dear Corps of Engineers Decision Makers,

I am deeply concerned about the drastic changes that are being proposed in your draft Shoreline Management Plan for Table Rock Lake. The community has been very clear in thousands of public comments submitted that we are opposed to over-regulation. We've asked many times for NO CHANGE to be made to the Plan, but there are several items of major concern:

- I object to the carrying capacity as it limits the right to use the lake.
- I object to tighter restrictions placed upon vegetative management permits.
- I object to the new non-transferable grandfathered vegetative management permit rule.
- I object to financial hardships of removing electricity from the lake.
- I object to only one request every five years for dock modification.
- I object to the 8' depth requirement for any new docks.

I would ask that the Shoreline Management Plan NOT be changed. At the very least, please do not allow the changes noted above to go into effect. It would have a devastating economic impact and would be detrimental to the public's right to use and enjoy our lake.

Being a land/slip owner on Table Rock Lake, I am a huge supporter of preserving the lake and maintaining the shoreline. However, I cannot understand nor agree with a large percentage of the proposals under the new or existing SLMP.

20170825_Lyll_J-WA

Overall it would be an huge financial burden to try an enforce these regulations. Where would the money come from, the tax payers. What would this don't other economy of the entire Table Rock Lake community as well as devalue the property of thousands of property owners. This is just a couple of concern's along with too many to list of the proposals.

I am encouraged that the public's comments during the process have been acknowledged by the Corps. Thank you for listening. Please continue to help us protect our rights to use and enjoy our beautiful lake.

Sincerely,

James Lyall

From: CESWL-Table Rock Shoreline Management Plan Update <CESWL-TableRockShorelineManagementPlanUpdate@usace.army.mil>
Sent: Tuesday, August 29, 2017 8:08 AM
To: Murphy, Gina L.
Subject: FW: [Non-DoD Source] Table Rock Lake Shoreline Management Plan

-----Original Message-----

From: Abigail Maxwell [<mailto:abigail207@gmail.com>]
Sent: Friday, August 25, 2017 12:03 PM
To: CESWL-Table Rock Shoreline Management Plan Update <CESWL-TableRockShorelineManagementPlanUpdate@usace.army.mil>; savetablerock@gmail.com
Subject: [Non-DoD Source] Table Rock Lake Shoreline Management Plan

TO: Corps of Engineers Decision Makers

FROM: Abigail Maxwell

RE: Table Rock Lake Shoreline Management Plan

Dear Corps of Engineers Decision Makers,

I am deeply concerned about the drastic changes that are being proposed in your draft Shoreline Management Plan for Table Rock Lake. The community has been very clear in thousands of public comments submitted that we are opposed to over-regulation. We've asked many times for NO CHANGE to be made to the Plan, but there are several items of major concern:

- I object to the carrying capacity as it limits the right to use the lake.
- I object to tighter restrictions placed upon vegetative management permits.
- I object to the new non-transferable grandfathered vegetative management permit rule.
- I object to financial hardships of removing electricity from the lake.
- I object to only one request every five years for dock modification.
- I object to the 8' depth requirement for any new docks.

I would ask that the Shoreline Management Plan NOT be changed. At the very least, please do not allow the changes noted above to go into effect. It would have a devastating economic impact and would be detrimental to the public's right to use and enjoy our lake.

I am encouraged that the public's comments during the process have been acknowledged by the Corps. Thank you for listening. Please continue to help us protect our rights to use and enjoy our beautiful lake.

Sincerely,

20170825_Maxwell_A-W

Abigail Maxwell

From: CESWL-Table Rock Shoreline Management Plan Update <CESWL-TableRockShorelineManagementPlanUpdate@usace.army.mil>
Sent: Tuesday, August 29, 2017 8:10 AM
To: Murphy, Gina L.
Subject: FW: [Non-DoD Source] Table Rock Lake Shoreline Management Plan

-----Original Message-----

From: Melissa Mayo [<mailto:lissa2252@hotmail.com>]
Sent: Friday, August 25, 2017 12:42 PM
To: CESWL-Table Rock Shoreline Management Plan Update <CESWL-TableRockShorelineManagementPlanUpdate@usace.army.mil>; savetablerock@gmail.com
Subject: [Non-DoD Source] Table Rock Lake Shoreline Management Plan

TO: Corps of Engineers Decision Makers

FROM: Melissa Mayo

RE: Table Rock Lake Shoreline Management Plan

Dear Corps of Engineers Decision Makers,

I am deeply concerned about the drastic changes that are being proposed in your draft Shoreline Management Plan for Table Rock Lake. The community has been very clear in thousands of public comments submitted that we are opposed to over-regulation. We've asked many times for NO CHANGE to be made to the Plan, but there are several items of major concern:

- I object to the carrying capacity as it limits the right to use the lake.
- I object to tighter restrictions placed upon vegetative management permits.
- I object to the new non-transferable grandfathered vegetative management permit rule.
- I object to financial hardships of removing electricity from the lake.
- I object to only one request every five years for dock modification.
- I object to the 8' depth requirement for any new docks.

I would ask that the Shoreline Management Plan NOT be changed. At the very least, please do not allow the changes noted above to go into effect. It would have a devastating economic impact and would be detrimental to the public's right to use and enjoy our lake.

I am encouraged that the public's comments during the process have been acknowledged by the Corps. Thank you for listening. Please continue to help us protect our rights to use and enjoy our beautiful lake.

Sincerely,

20170825_Mayo_M-W

Melissa Mayo

From: CESWL-Table Rock Shoreline Management Plan Update <CESWL-TableRockShorelineManagementPlanUpdate@usace.army.mil>
Sent: Tuesday, August 29, 2017 8:10 AM
To: Murphy, Gina L.
Subject: FW: [Non-DoD Source] Table Rock Lake Shoreline Management Plan

-----Original Message-----

From: Wanda`McBride [<mailto:wanda.mcbride@leggett.com>]
Sent: Friday, August 25, 2017 12:45 PM
To: CESWL-Table Rock Shoreline Management Plan Update <CESWL-TableRockShorelineManagementPlanUpdate@usace.army.mil>; savetablerock@gmail.com
Subject: [Non-DoD Source] Table Rock Lake Shoreline Management Plan

TO: Corps of Engineers Decision Makers

FROM: Wanda McBride

RE: Table Rock Lake Shoreline Management Plan

Dear Corps of Engineers Decision Makers,

I am deeply concerned about the drastic changes that are being proposed in your draft Shoreline Management Plan for Table Rock Lake. The community has been very clear in thousands of public comments submitted that we are opposed to over-regulation. We've asked many times for NO CHANGE to be made to the Plan, but there are several items of major concern:

- I object to the carrying capacity as it limits the right to use the lake.
- I object to tighter restrictions placed upon vegetative management permits.
- I object to the new non-transferable grandfathered vegetative management permit rule.
- I object to financial hardships of removing electricity from the lake.
- I object to only one request every five years for dock modification.
- I object to the 8' depth requirement for any new docks.

I would ask that the Shoreline Management Plan NOT be changed. At the very least, please do not allow the changes noted above to go into effect. It would have a devastating economic impact and would be detrimental to the public's right to use and enjoy our lake.

I do not agree with the above changes and would hope that none of the proposed changes go into effect. I think there is enough "regulations" now without, making more costly changes for people.

20170825_McBride_W-WA

I am encouraged that the public's comments during the process have been acknowledged by the Corps. Thank you for listening. Please continue to help us protect our rights to use and enjoy our beautiful lake.

Sincerely,

Wanda McBride

From: CESWL-Table Rock Shoreline Management Plan Update <CESWL-TableRockShorelineManagementPlanUpdate@usace.army.mil>
Sent: Tuesday, August 29, 2017 8:10 AM
To: Murphy, Gina L.
Subject: FW: [Non-DoD Source] Table Rock Lake Shoreline Management Plan

-----Original Message-----

From: Thea`Mccowan [<mailto:tmkmbm@hotmail.com>]
Sent: Friday, August 25, 2017 12:49 PM
To: CESWL-Table Rock Shoreline Management Plan Update <CESWL-TableRockShorelineManagementPlanUpdate@usace.army.mil>; savetablerock@gmail.com
Subject: [Non-DoD Source] Table Rock Lake Shoreline Management Plan

TO: Corps of Engineers Decision Makers

FROM: Thea Mccowan

RE: Table Rock Lake Shoreline Management Plan

Dear Corps of Engineers Decision Makers,

I am deeply concerned about the drastic changes that are being proposed in your draft Shoreline Management Plan for Table Rock Lake. The community has been very clear in thousands of public comments submitted that we are opposed to over-regulation. We've asked many times for NO CHANGE to be made to the Plan, but there are several items of major concern:

- I object to the carrying capacity as it limits the right to use the lake.
- I object to tighter restrictions placed upon vegetative management permits.
- I object to the new non-transferable grandfathered vegetative management permit rule.
- I object to financial hardships of removing electricity from the lake.
- I object to only one request every five years for dock modification.
- I object to the 8' depth requirement for any new docks.

I would ask that the Shoreline Management Plan NOT be changed. At the very least, please do not allow the changes noted above to go into effect. It would have a devastating economic impact and would be detrimental to the public's right to use and enjoy our lake.

I am encouraged that the public's comments during the process have been acknowledged by the Corps. Thank you for listening. Please continue to help us protect our rights to use and enjoy our beautiful lake.

Sincerely,

20170825_Mccowan_T-W

Thea Mccowan

From: CESWL-Table Rock Shoreline Management Plan Update <CESWL-TableRockShorelineManagementPlanUpdate@usace.army.mil>
Sent: Tuesday, August 29, 2017 8:10 AM
To: Murphy, Gina L.
Subject: FW: [Non-DoD Source] Table Rock Lake Shoreline Management Plan

-----Original Message-----

From: Ben McCullough [<mailto:bmm102883@gmail.com>]
Sent: Friday, August 25, 2017 12:43 PM
To: CESWL-Table Rock Shoreline Management Plan Update <CESWL-TableRockShorelineManagementPlanUpdate@usace.army.mil>; savetablerock@gmail.com
Subject: [Non-DoD Source] Table Rock Lake Shoreline Management Plan

TO: Corps of Engineers Decision Makers

FROM: Ben McCullough

RE: Table Rock Lake Shoreline Management Plan

Dear Corps of Engineers Decision Makers,

I am deeply concerned about the drastic changes that are being proposed in your draft Shoreline Management Plan for Table Rock Lake. The community has been very clear in thousands of public comments submitted that we are opposed to over-regulation. We've asked many times for NO CHANGE to be made to the Plan, but there are several items of major concern:

- I object to the carrying capacity as it limits the right to use the lake.
- I object to tighter restrictions placed upon vegetative management permits.
- I object to the new non-transferable grandfathered vegetative management permit rule.
- I object to financial hardships of removing electricity from the lake.
- I object to only one request every five years for dock modification.
- I object to the 8' depth requirement for any new docks.

I would ask that the Shoreline Management Plan NOT be changed. At the very least, please do not allow the changes noted above to go into effect. It would have a devastating economic impact and would be detrimental to the public's right to use and enjoy our lake.

I am encouraged that the public's comments during the process have been acknowledged by the Corps. Thank you for listening. Please continue to help us protect our rights to use and enjoy our beautiful lake.

Sincerely,

20170825_McCullough_B-W

Ben McCullough

From: CESWL-Table Rock Shoreline Management Plan Update <CESWL-TableRockShorelineManagementPlanUpdate@usace.army.mil>
Sent: Tuesday, August 29, 2017 8:15 AM
To: Murphy, Gina L.
Subject: FW: [EXTERNAL] Table Rock Lake Shoreline Management Plan

-----Original Message-----

From: Willard`Mcilwain [<mailto:jwillard47@sbcglobal.net>]
Sent: Friday, August 25, 2017 7:40 PM
To: CESWL-Table Rock Shoreline Management Plan Update <CESWL-TableRockShorelineManagementPlanUpdate@usace.army.mil>; savetablerock@gmail.com
Subject: [EXTERNAL] Table Rock Lake Shoreline Management Plan

TO: Corps of Engineers Decision Makers

FROM: Willard Mcilwain

RE: Table Rock Lake Shoreline Management Plan

Dear Corps of Engineers Decision Makers,

I am deeply concerned about the drastic changes that are being proposed in your draft Shoreline Management Plan for Table Rock Lake. The community has been very clear in thousands of public comments submitted that we are opposed to over-regulation. We've asked many times for NO CHANGE to be made to the Plan, but there are several items of major concern:

- I object to the carrying capacity as it limits the right to use the lake.
- I object to tighter restrictions placed upon vegetative management permits.
- I object to the new non-transferable grandfathered vegetative management permit rule.
- I object to financial hardships of removing electricity from the lake.
- I object to only one request every five years for dock modification.
- I object to the 8' depth requirement for any new docks.

I would ask that the Shoreline Management Plan NOT be changed. At the very least, please do not allow the changes noted above to go into effect. It would have a devastating economic impact and would be detrimental to the public's right to use and enjoy our lake.

I am encouraged that the public's comments during the process have been acknowledged by the Corps. Thank you for listening. Please continue to help us protect our rights to use and enjoy our beautiful lake.

Sincerely,

20170825_Mcilwain_W-W

Willard Mcilwain

From: CESWL-Table Rock Shoreline Management Plan Update <CESWL-TableRockShorelineManagementPlanUpdate@usace.army.mil>
Sent: Tuesday, August 29, 2017 8:13 AM
To: Murphy, Gina L.
Subject: FW: Shoreline management plan

-----Original Message-----

From: Trey Metzelthin [<mailto:treyvette17@msn.com>]
Sent: Friday, August 25, 2017 5:44 PM
To: CESWL-Table Rock Shoreline Management Plan Update <CESWL-TableRockShorelineManagementPlanUpdate@usace.army.mil>
Subject: [EXTERNAL] Shoreline management plan

To whom it may concern,

From my understanding, this new master plan will not allow me to continue to mow the grass in front of my home between my house and my swim dock. My understanding is that because there is a road that makes a circle to service our roughly 15 homes, we will not be able to maintain the vegetation on the lake side of that road. We have owned this house and property since I was born and it has always had amazing views and access to the lake for myself and my family. I grew up spending my summers at that house and to think that I would not be able to maintain the vegetation in front of it is just terrible. My family should be able to have the same experience with it that I had. And letting the vegetation grow and destroy the view, openness, access to the dock and most importantly safety is simply unacceptable. As a child my parents could always keep an eye on me and whomever I was with at the dock with ease, but if it is not allowed to be maintained it could easily create visibility problems and concerns.

In closing, I highly request that no changes be made that will change the ability for me to maintain and keep my lake front property beautiful, safe and the oasis I have grown up with my entire life. I even offer you to come and take a seat on my front deck, watch the water and listen to the sounds. All that together has created the most relaxing place I have ever experienced.

Thank you

Trey Metzelthin

Get Outlook for Android <Blocked<https://aka.ms/ghei36>>

20170825_Metzelthin_T

From: CESWL-Table Rock Shoreline Management Plan Update <CESWL-TableRockShorelineManagementPlanUpdate@usace.army.mil>
Sent: Friday, August 25, 2017 10:38 AM
To: Murphy, Gina L.
Subject: FW: [Non-DoD Source] Table Rock Lake Shoreline Management Plan

-----Original Message-----

From: Mark`Mikenis [<mailto:mark.mikenis@gmail.com>]
Sent: Friday, August 25, 2017 6:44 AM
To: CESWL-Table Rock Shoreline Management Plan Update <CESWL-TableRockShorelineManagementPlanUpdate@usace.army.mil>; savetablerock@gmail.com
Subject: [Non-DoD Source] Table Rock Lake Shoreline Management Plan

TO: Corps of Engineers Decision Makers

FROM: Mark Mikenis

RE: Table Rock Lake Shoreline Management Plan

Dear Corps of Engineers Decision Makers,

I am deeply concerned about the drastic changes that are being proposed in your draft Shoreline Management Plan for Table Rock Lake. The community has been very clear in thousands of public comments submitted that we are opposed to over-regulation. We've asked many times for NO CHANGE to be made to the Plan, but there are several items of major concern:

- I object to the carrying capacity as it limits the right to use the lake.
- I object to tighter restrictions placed upon vegetative management permits.
- I object to the new non-transferable grandfathered vegetative management permit rule.
- I object to financial hardships of removing electricity from the lake.
- I object to only one request every five years for dock modification.
- I object to the 8' depth requirement for any new docks.

I would ask that the Shoreline Management Plan NOT be changed. At the very least, please do not allow the changes noted above to go into effect. It would have a devastating economic impact and would be detrimental to the public's right to use and enjoy our lake.

I am encouraged that the public's comments during the process have been acknowledged by the Corps. Thank you for listening. Please continue to help us protect our rights to use and enjoy our beautiful lake.

Sincerely,

20170825_Mikenis_M-W

Mark Mikenis

From: CESWL-Table Rock Shoreline Management Plan Update <CESWL-TableRockShorelineManagementPlanUpdate@usace.army.mil>
Sent: Friday, August 25, 2017 10:39 AM
To: Murphy, Gina L.
Subject: FW: [Non-DoD Source] Table Rock Lake Shoreline Management Plan

-----Original Message-----

From: Jordan`Morgan [<mailto:SKMorgan996@yahoo.com>]
Sent: Friday, August 25, 2017 6:54 AM
To: CESWL-Table Rock Shoreline Management Plan Update <CESWL-TableRockShorelineManagementPlanUpdate@usace.army.mil>; savetablerock@gmail.com
Subject: [Non-DoD Source] Table Rock Lake Shoreline Management Plan

TO: Corps of Engineers Decision Makers

FROM: Jordan Morgan

RE: Table Rock Lake Shoreline Management Plan

Dear Corps of Engineers Decision Makers,

I am deeply concerned about the drastic changes that are being proposed in your draft Shoreline Management Plan for Table Rock Lake. The community has been very clear in thousands of public comments submitted that we are opposed to over-regulation. We've asked many times for NO CHANGE to be made to the Plan, but there are several items of major concern:

- I object to the carrying capacity as it limits the right to use the lake.
- I object to tighter restrictions placed upon vegetative management permits.
- I object to the new non-transferable grandfathered vegetative management permit rule.
- I object to financial hardships of removing electricity from the lake.
- I object to only one request every five years for dock modification.
- I object to the 8' depth requirement for any new docks.

I would ask that the Shoreline Management Plan NOT be changed. At the very least, please do not allow the changes noted above to go into effect. It would have a devastating economic impact and would be detrimental to the public's right to use and enjoy our lake.

I am encouraged that the public's comments during the process have been acknowledged by the Corps. Thank you for listening. Please continue to help us protect our rights to use and enjoy our beautiful lake.

Sincerely,

20170825_Morgan_J-W

Jordan Morgan

From: CESWL-Table Rock Shoreline Management Plan Update <CESWL-TableRockShorelineManagementPlanUpdate@usace.army.mil>
Sent: Friday, August 25, 2017 10:38 AM
To: Murphy, Gina L.
Subject: FW: [Non-DoD Source] Table Rock Lake Shoreline Management Plan

-----Original Message-----

From: Mike`Morgan [<mailto:Mrmorgan603@yahoo.com>]
Sent: Friday, August 25, 2017 6:52 AM
To: CESWL-Table Rock Shoreline Management Plan Update <CESWL-TableRockShorelineManagementPlanUpdate@usace.army.mil>; savetablerock@gmail.com
Subject: [Non-DoD Source] Table Rock Lake Shoreline Management Plan

TO: Corps of Engineers Decision Makers

FROM: Mike Morgan

RE: Table Rock Lake Shoreline Management Plan

Dear Corps of Engineers Decision Makers,

I am deeply concerned about the drastic changes that are being proposed in your draft Shoreline Management Plan for Table Rock Lake. The community has been very clear in thousands of public comments submitted that we are opposed to over-regulation. We've asked many times for NO CHANGE to be made to the Plan, but there are several items of major concern:

- I object to the carrying capacity as it limits the right to use the lake.
- I object to tighter restrictions placed upon vegetative management permits.
- I object to the new non-transferable grandfathered vegetative management permit rule.
- I object to financial hardships of removing electricity from the lake.
- I object to only one request every five years for dock modification.
- I object to the 8' depth requirement for any new docks.

I would ask that the Shoreline Management Plan NOT be changed. At the very least, please do not allow the changes noted above to go into effect. It would have a devastating economic impact and would be detrimental to the public's right to use and enjoy our lake.

I am encouraged that the public's comments during the process have been acknowledged by the Corps. Thank you for listening. Please continue to help us protect our rights to use and enjoy our beautiful lake.

Sincerely,

20170825_Morgan_M-W

Mike Morgan

From: CESWL-Table Rock Shoreline Management Plan Update <CESWL-TableRockShorelineManagementPlanUpdate@usace.army.mil>
Sent: Friday, August 25, 2017 10:38 AM
To: Murphy, Gina L.
Subject: FW: [Non-DoD Source] Table Rock Lake Shoreline Management Plan

-----Original Message-----

From: Sharon`Morgan [<mailto:SKMorgan996@yahoo.com>]
Sent: Friday, August 25, 2017 6:53 AM
To: CESWL-Table Rock Shoreline Management Plan Update <CESWL-TableRockShorelineManagementPlanUpdate@usace.army.mil>; savetablerock@gmail.com
Subject: [Non-DoD Source] Table Rock Lake Shoreline Management Plan

TO: Corps of Engineers Decision Makers

FROM: Sharon Morgan

RE: Table Rock Lake Shoreline Management Plan

Dear Corps of Engineers Decision Makers,

I am deeply concerned about the drastic changes that are being proposed in your draft Shoreline Management Plan for Table Rock Lake. The community has been very clear in thousands of public comments submitted that we are opposed to over-regulation. We've asked many times for NO CHANGE to be made to the Plan, but there are several items of major concern:

- I object to the carrying capacity as it limits the right to use the lake.
- I object to tighter restrictions placed upon vegetative management permits.
- I object to the new non-transferable grandfathered vegetative management permit rule.
- I object to financial hardships of removing electricity from the lake.
- I object to only one request every five years for dock modification.
- I object to the 8' depth requirement for any new docks.

I would ask that the Shoreline Management Plan NOT be changed. At the very least, please do not allow the changes noted above to go into effect. It would have a devastating economic impact and would be detrimental to the public's right to use and enjoy our lake.

I am encouraged that the public's comments during the process have been acknowledged by the Corps. Thank you for listening. Please continue to help us protect our rights to use and enjoy our beautiful lake.

Sincerely,

20170825_Morgan_S-W

Sharon Morgan

From: CESWL-Table Rock Shoreline Management Plan Update <CESWL-TableRockShorelineManagementPlanUpdate@usace.army.mil>
Sent: Tuesday, August 29, 2017 8:10 AM
To: Murphy, Gina L.
Subject: FW: [Non-DoD Source] Table Rock Lake Shoreline Management Plan

-----Original Message-----

From: Amy`Hagemann Mues [<mailto:amues@sbcglobal.net>]
Sent: Friday, August 25, 2017 1:06 PM
To: CESWL-Table Rock Shoreline Management Plan Update <CESWL-TableRockShorelineManagementPlanUpdate@usace.army.mil>; savetablerock@gmail.com
Subject: [Non-DoD Source] Table Rock Lake Shoreline Management Plan

TO: Corps of Engineers Decision Makers

FROM: Amy Hagemann Mues

RE: Table Rock Lake Shoreline Management Plan

Dear Corps of Engineers Decision Makers,

I am deeply concerned about the drastic changes that are being proposed in your draft Shoreline Management Plan for Table Rock Lake. The community has been very clear in thousands of public comments submitted that we are opposed to over-regulation. We've asked many times for NO CHANGE to be made to the Plan, but there are several items of major concern:

- I object to the carrying capacity as it limits the right to use the lake.
- I object to tighter restrictions placed upon vegetative management permits.
- I object to the new non-transferable grandfathered vegetative management permit rule.
- I object to financial hardships of removing electricity from the lake.
- I object to only one request every five years for dock modification.
- I object to the 8' depth requirement for any new docks.

I would ask that the Shoreline Management Plan NOT be changed. At the very least, please do not allow the changes noted above to go into effect. It would have a devastating economic impact and would be detrimental to the public's right to use and enjoy our lake.

I am encouraged that the public's comments during the process have been acknowledged by the Corps. Thank you for listening. Please continue to help us protect our rights to use and enjoy our beautiful lake.

Sincerely,

20170825_Mues_A-W

Amy Hagemann Mues

From: CESWL-Table Rock Shoreline Management Plan Update <CESWL-TableRockShorelineManagementPlanUpdate@usace.army.mil>
Sent: Tuesday, August 29, 2017 8:10 AM
To: Murphy, Gina L.
Subject: FW: [Non-DoD Source] Table Rock Lake Shoreline Management Plan

-----Original Message-----

From: Judy`Mues [<mailto:jlmues@sbcglobal.net>]
Sent: Friday, August 25, 2017 1:05 PM
To: CESWL-Table Rock Shoreline Management Plan Update <CESWL-TableRockShorelineManagementPlanUpdate@usace.army.mil>; savetablerock@gmail.com
Subject: [Non-DoD Source] Table Rock Lake Shoreline Management Plan

TO: Corps of Engineers Decision Makers

FROM: Judy Mues

RE: Table Rock Lake Shoreline Management Plan

Dear Corps of Engineers Decision Makers,

I am deeply concerned about the drastic changes that are being proposed in your draft Shoreline Management Plan for Table Rock Lake. The community has been very clear in thousands of public comments submitted that we are opposed to over-regulation. We've asked many times for NO CHANGE to be made to the Plan, but there are several items of major concern:

- I object to the carrying capacity as it limits the right to use the lake.
- I object to tighter restrictions placed upon vegetative management permits.
- I object to the new non-transferable grandfathered vegetative management permit rule.
- I object to financial hardships of removing electricity from the lake.
- I object to only one request every five years for dock modification.
- I object to the 8' depth requirement for any new docks.

I would ask that the Shoreline Management Plan NOT be changed. At the very least, please do not allow the changes noted above to go into effect. It would have a devastating economic impact and would be detrimental to the public's right to use and enjoy our lake.

I am encouraged that the public's comments during the process have been acknowledged by the Corps. Thank you for listening. Please continue to help us protect our rights to use and enjoy our beautiful lake.

Sincerely,

20170825_Mues_J-W

Judy Mues

From: CESWL-Table Rock Shoreline Management Plan Update <CESWL-TableRockShorelineManagementPlanUpdate@usace.army.mil>
Sent: Tuesday, August 29, 2017 8:10 AM
To: Murphy, Gina L.
Subject: FW: [Non-DoD Source] Table Rock Lake Shoreline Management Plan

-----Original Message-----

From: John `Mues [<mailto:jmues@sbcglobal.net>]
Sent: Friday, August 25, 2017 1:04 PM
To: CESWL-Table Rock Shoreline Management Plan Update <CESWL-TableRockShorelineManagementPlanUpdate@usace.army.mil>; savetablerock@gmail.com
Subject: [Non-DoD Source] Table Rock Lake Shoreline Management Plan

TO: Corps of Engineers Decision Makers

FROM: John Mues

RE: Table Rock Lake Shoreline Management Plan

Dear Corps of Engineers Decision Makers,

I am deeply concerned about the drastic changes that are being proposed in your draft Shoreline Management Plan for Table Rock Lake. The community has been very clear in thousands of public comments submitted that we are opposed to over-regulation. We've asked many times for NO CHANGE to be made to the Plan, but there are several items of major concern:

- I object to the carrying capacity as it limits the right to use the lake.
- I object to tighter restrictions placed upon vegetative management permits.
- I object to the new non-transferable grandfathered vegetative management permit rule.
- I object to financial hardships of removing electricity from the lake.
- I object to only one request every five years for dock modification.
- I object to the 8' depth requirement for any new docks.

I would ask that the Shoreline Management Plan NOT be changed. At the very least, please do not allow the changes noted above to go into effect. It would have a devastating economic impact and would be detrimental to the public's right to use and enjoy our lake.

As a user of Table Rock Lake and as a property owner with lake access, I totally understand what saving the lake's water quality is all about. But there are many more and less costly changes than should be made to the lake before your Shoreline management Plan changes. Mandating that everyone be on a sewer system or their own waste treatment facilities would be a much better use of private and

20170825_Mues_J-WA

taxpayer funds. Until we complete that project, everything else is just window dressing.. Thanks for listening.

So you understand where I am coming from, I am to the FAR left of the Sierra Club and other such environmental organizations, so I do value your efforts to keep this lake clean and even improve its long term quality. I just think that this plan is draconian and in the long term not as good a use of money and time as could be.

I am encouraged that the public's comments during the process have been acknowledged by the Corps. Thank you for listening. Please continue to help us protect our rights to use and enjoy our beautiful lake.

Sincerely,

John Mues

From: CESWL-Table Rock Shoreline Management Plan Update <CESWL-TableRockShorelineManagementPlanUpdate@usace.army.mil>
Sent: Tuesday, August 29, 2017 8:10 AM
To: Murphy, Gina L.
Subject: FW: [Non-DoD Source] Table Rock Lake Shoreline Management Plan

-----Original Message-----

From: John Nangle [<mailto:mnangle@connellinsurance.com>]
Sent: Friday, August 25, 2017 12:46 PM
To: CESWL-Table Rock Shoreline Management Plan Update <CESWL-TableRockShorelineManagementPlanUpdate@usace.army.mil>; savetablerock@gmail.com
Subject: [Non-DoD Source] Table Rock Lake Shoreline Management Plan

TO: Corps of Engineers Decision Makers

FROM: John Nangle

RE: Table Rock Lake Shoreline Management Plan

Dear Corps of Engineers Decision Makers,

I am deeply concerned about the drastic changes that are being proposed in your draft Shoreline Management Plan for Table Rock Lake. The community has been very clear in thousands of public comments submitted that we are opposed to over-regulation. We've asked many times for NO CHANGE to be made to the Plan, but there are several items of major concern:

- I object to the carrying capacity as it limits the right to use the lake.
- I object to tighter restrictions placed upon vegetative management permits.
- I object to the new non-transferable grandfathered vegetative management permit rule.
- I object to financial hardships of removing electricity from the lake.
- I object to only one request every five years for dock modification.
- I object to the 8' depth requirement for any new docks.

I would ask that the Shoreline Management Plan NOT be changed. At the very least, please do not allow the changes noted above to go into effect. It would have a devastating economic impact and would be detrimental to the public's right to use and enjoy our lake.

I object to dis-allowing golf carts / UTV to be used to drive to and carry equipment and personal belongings to the dock. Also physical issues and restricting this may be in violation of ADA laws

20170825_Nangle_J-WA

I am encouraged that the public's comments during the process have been acknowledged by the Corps. Thank you for listening. Please continue to help us protect our rights to use and enjoy our beautiful lake.

Sincerely,

John Nangle

From: CESWL-Table Rock Shoreline Management Plan Update <CESWL-TableRockShorelineManagementPlanUpdate@usace.army.mil>
Sent: Tuesday, August 29, 2017 8:08 AM
To: Murphy, Gina L.
Subject: FW: [Non-DoD Source] Table Rock Lake Shoreline Management Plan

-----Original Message-----

From: Joe`Nazzoli [<mailto:jnazzoli@yahoo.com>]
Sent: Friday, August 25, 2017 12:23 PM
To: CESWL-Table Rock Shoreline Management Plan Update <CESWL-TableRockShorelineManagementPlanUpdate@usace.army.mil>; savetablerock@gmail.com
Subject: [Non-DoD Source] Table Rock Lake Shoreline Management Plan

TO: Corps of Engineers Decision Makers

FROM: Joe Nazzoli

RE: Table Rock Lake Shoreline Management Plan

Dear Corps of Engineers Decision Makers,

I am deeply concerned about the drastic changes that are being proposed in your draft Shoreline Management Plan for Table Rock Lake. The community has been very clear in thousands of public comments submitted that we are opposed to over-regulation. We've asked many times for NO CHANGE to be made to the Plan, but there are several items of major concern:

- I object to the carrying capacity as it limits the right to use the lake.
- I object to tighter restrictions placed upon vegetative management permits.
- I object to the new non-transferable grandfathered vegetative management permit rule.
- I object to financial hardships of removing electricity from the lake.
- I object to only one request every five years for dock modification.
- I object to the 8' depth requirement for any new docks.

I would ask that the Shoreline Management Plan NOT be changed. At the very least, please do not allow the changes noted above to go into effect. It would have a devastating economic impact and would be detrimental to the public's right to use and enjoy our lake.

NO CHANGES TO EXISTING TABLE ROCK LAKE SHORELINE MANAGEMENT PLAN.

I am encouraged that the public's comments during the process have been acknowledged by the Corps. Thank you for listening. Please continue to help us protect our rights to use and enjoy our beautiful lake.

20170825_Nazzoli_J-W

Sincerely,

Joe Nazzoli

From: CESWL-Table Rock Shoreline Management Plan Update <CESWL-TableRockShorelineManagementPlanUpdate@usace.army.mil>
Sent: Tuesday, August 29, 2017 8:09 AM
To: Murphy, Gina L.
Subject: FW: [Non-DoD Source] Table Rock Lake Shoreline Management Plan

-----Original Message-----

From: Nic`Neumann [<mailto:njoyn2007@gmail.com>]
Sent: Friday, August 25, 2017 12:22 PM
To: CESWL-Table Rock Shoreline Management Plan Update <CESWL-TableRockShorelineManagementPlanUpdate@usace.army.mil>; savetablerock@gmail.com
Subject: [Non-DoD Source] Table Rock Lake Shoreline Management Plan

TO: Corps of Engineers Decision Makers

FROM: Nic Neumann

RE: Table Rock Lake Shoreline Management Plan

Dear Corps of Engineers Decision Makers,

I am deeply concerned about the drastic changes that are being proposed in your draft Shoreline Management Plan for Table Rock Lake. The community has been very clear in thousands of public comments submitted that we are opposed to over-regulation. We've asked many times for NO CHANGE to be made to the Plan, but there are several items of major concern:

- I object to the carrying capacity as it limits the right to use the lake.
- I object to tighter restrictions placed upon vegetative management permits.
- I object to the new non-transferable grandfathered vegetative management permit rule.
- I object to financial hardships of removing electricity from the lake.
- I object to only one request every five years for dock modification.
- I object to the 8' depth requirement for any new docks.

I would ask that the Shoreline Management Plan NOT be changed. At the very least, please do not allow the changes noted above to go into effect. It would have a devastating economic impact and would be detrimental to the public's right to use and enjoy our lake.

I am encouraged that the public's comments during the process have been acknowledged by the Corps. Thank you for listening. Please continue to help us protect our rights to use and enjoy our beautiful lake.

Sincerely,

20170825_Neumann_N-W

Nic Neumann

From: CESWL-Table Rock Shoreline Management Plan Update <CESWL-TableRockShorelineManagementPlanUpdate@usace.army.mil>
Sent: Tuesday, August 29, 2017 8:14 AM
To: Murphy, Gina L.
Subject: FW: [EXTERNAL] Table Rock Lake Shoreline Management Plan

-----Original Message-----

From: Robett Oster [<mailto:chembroker@sbcglobal.net>]
Sent: Friday, August 25, 2017 6:12 PM
To: CESWL-Table Rock Shoreline Management Plan Update <CESWL-TableRockShorelineManagementPlanUpdate@usace.army.mil>; savetablerock@gmail.com
Subject: [EXTERNAL] Table Rock Lake Shoreline Management Plan

TO: Corps of Engineers Decision Makers

FROM: Robett Oster

RE: Table Rock Lake Shoreline Management Plan

Dear Corps of Engineers Decision Makers,

I am deeply concerned about the drastic changes that are being proposed in your draft Shoreline Management Plan for Table Rock Lake. The community has been very clear in thousands of public comments submitted that we are opposed to over-regulation. We've asked many times for NO CHANGE to be made to the Plan, but there are several items of major concern:

- I object to the carrying capacity as it limits the right to use the lake.
- I object to tighter restrictions placed upon vegetative management permits.
- I object to the new non-transferable grandfathered vegetative management permit rule.
- I object to financial hardships of removing electricity from the lake.
- I object to only one request every five years for dock modification.
- I object to the 8' depth requirement for any new docks.

I would ask that the Shoreline Management Plan NOT be changed. At the very least, please do not allow the changes noted above to go into effect. It would have a devastating economic impact and would be detrimental to the public's right to use and enjoy our lake.

I am encouraged that the public's comments during the process have been acknowledged by the Corps. Thank you for listening. Please continue to help us protect our rights to use and enjoy our beautiful lake.

Sincerely,

20170825_Oster_R-W

Robett Oster

From: CESWL-Table Rock Shoreline Management Plan Update <CESWL-TableRockShorelineManagementPlanUpdate@usace.army.mil>
Sent: Tuesday, August 29, 2017 8:16 AM
To: Murphy, Gina L.
Subject: FW: [EXTERNAL] Table Rock Lake Shoreline Management Plan

-----Original Message-----

From: Bob `Owen [<mailto:bkowen1976@gmail.com>]
Sent: Friday, August 25, 2017 10:31 PM
To: CESWL-Table Rock Shoreline Management Plan Update <CESWL-TableRockShorelineManagementPlanUpdate@usace.army.mil>; savetablerock@gmail.com
Subject: [EXTERNAL] Table Rock Lake Shoreline Management Plan

TO: Corps of Engineers Decision Makers

FROM: Bob Owen

RE: Table Rock Lake Shoreline Management Plan

Dear Corps of Engineers Decision Makers,

I am deeply concerned about the drastic changes that are being proposed in your draft Shoreline Management Plan for Table Rock Lake. The community has been very clear in thousands of public comments submitted that we are opposed to over-regulation. We've asked many times for NO CHANGE to be made to the Plan, but there are several items of major concern:

- I object to the carrying capacity as it limits the right to use the lake.
- I object to tighter restrictions placed upon vegetative management permits.
- I object to the new non-transferable grandfathered vegetative management permit rule.
- I object to financial hardships of removing electricity from the lake.
- I object to only one request every five years for dock modification.
- I object to the 8' depth requirement for any new docks.

I would ask that the Shoreline Management Plan NOT be changed. At the very least, please do not allow the changes noted above to go into effect. It would have a devastating economic impact and would be detrimental to the public's right to use and enjoy our lake.

If electric power is removed from docks not only expensive solar panels will be needed but large expensive batteries for evening lights and power needs. I can't imagine what the costs would be. All solar panels I see people put up stay connected to the grid to sell power back which pays for electricity needed at night etc. thus eliminating needs of expensive batteries.

20170825_Owen_B-WA

I am encouraged that the public's comments during the process have been acknowledged by the Corps. Thank you for listening. Please continue to help us protect our rights to use and enjoy our beautiful lake.

Sincerely,

Bob Owen

From: CESWL-Table Rock Shoreline Management Plan Update <CESWL-TableRockShorelineManagementPlanUpdate@usace.army.mil>
Sent: Tuesday, August 29, 2017 8:11 AM
To: Murphy, Gina L.
Subject: FW: [Non-DoD Source] Table Rock Lake Shoreline Management Plan

-----Original Message-----

From: Robert`Patterson [<mailto:bobwoneo@juno.com>]
Sent: Friday, August 25, 2017 1:41 PM
To: CESWL-Table Rock Shoreline Management Plan Update <CESWL-TableRockShorelineManagementPlanUpdate@usace.army.mil>; savetablerock@gmail.com
Subject: [Non-DoD Source] Table Rock Lake Shoreline Management Plan

TO: Corps of Engineers Decision Makers

FROM: Robert Patterson

RE: Table Rock Lake Shoreline Management Plan

Dear Corps of Engineers Decision Makers,

I am deeply concerned about the drastic changes that are being proposed in your draft Shoreline Management Plan for Table Rock Lake. The community has been very clear in thousands of public comments submitted that we are opposed to over-regulation. We've asked many times for NO CHANGE to be made to the Plan, but there are several items of major concern:

- I object to the carrying capacity as it limits the right to use the lake.
- I object to tighter restrictions placed upon vegetative management permits.
- I object to the new non-transferable grandfathered vegetative management permit rule.
- I object to financial hardships of removing electricity from the lake.
- I object to only one request every five years for dock modification.
- I object to the 8' depth requirement for any new docks.

I would ask that the Shoreline Management Plan NOT be changed. At the very least, please do not allow the changes noted above to go into effect. It would have a devastating economic impact and would be detrimental to the public's right to use and enjoy our lake.

I would like to see more input from home owners and not just input from Real Estate Co. and merchants. The largest impact is going to be on the general public and I think the Corps needs to listen to there impact on the decision they make. Some of the proposed new rules seem very restrictive and are not in the public interest.

20170825_Patterson_R-WA

I am encouraged that the public's comments during the process have been acknowledged by the Corps. Thank you for listening. Please continue to help us protect our rights to use and enjoy our beautiful lake.

Sincerely,

Robert Patterson

From: CESWL-Table Rock Shoreline Management Plan Update <CESWL-TableRockShorelineManagementPlanUpdate@usace.army.mil>
Sent: Tuesday, August 29, 2017 8:10 AM
To: Murphy, Gina L.
Subject: FW: [Non-DoD Source] Table Rock Lake Shoreline Management Plan

-----Original Message-----

From: Kristen`Peddycord [<mailto:knt4ksu@yahoo.com>]
Sent: Friday, August 25, 2017 1:00 PM
To: CESWL-Table Rock Shoreline Management Plan Update <CESWL-TableRockShorelineManagementPlanUpdate@usace.army.mil>; savetablerock@gmail.com
Subject: [Non-DoD Source] Table Rock Lake Shoreline Management Plan

TO: Corps of Engineers Decision Makers

FROM: Kristen Peddycord

RE: Table Rock Lake Shoreline Management Plan

Dear Corps of Engineers Decision Makers,

I am deeply concerned about the drastic changes that are being proposed in your draft Shoreline Management Plan for Table Rock Lake. The community has been very clear in thousands of public comments submitted that we are opposed to over-regulation. We've asked many times for NO CHANGE to be made to the Plan, but there are several items of major concern:

- I object to the carrying capacity as it limits the right to use the lake.
- I object to tighter restrictions placed upon vegetative management permits.
- I object to the new non-transferable grandfathered vegetative management permit rule.
- I object to financial hardships of removing electricity from the lake.
- I object to only one request every five years for dock modification.
- I object to the 8' depth requirement for any new docks.

I would ask that the Shoreline Management Plan NOT be changed. At the very least, please do not allow the changes noted above to go into effect. It would have a devastating economic impact and would be detrimental to the public's right to use and enjoy our lake.

I grow up in this lake and spent a majority of my childhood there. Do not ruin a good thing! Table Rock lake is and always will be filled with family fun (fishing, water sports, day outings etc), memories and good clean entertainment for families! Don't mess with a good thing.

20170825_Peddycord_K-WA

I am encouraged that the public's comments during the process have been acknowledged by the Corps. Thank you for listening. Please continue to help us protect our rights to use and enjoy our beautiful lake.

Sincerely,

Kristen Peddycord

From: CESWL-Table Rock Shoreline Management Plan Update <CESWL-TableRockShorelineManagementPlanUpdate@usace.army.mil>
Sent: Friday, August 25, 2017 10:40 AM
To: Murphy, Gina L.
Subject: FW: [Non-DoD Source] Table Rock Lake Shoreline Management Plan

-----Original Message-----

From: Travis`Phillips [<mailto:elbonitomuchacho@yahoo.com>]
Sent: Friday, August 25, 2017 8:13 AM
To: CESWL-Table Rock Shoreline Management Plan Update <CESWL-TableRockShorelineManagementPlanUpdate@usace.army.mil>; savetablerock@gmail.com
Subject: [Non-DoD Source] Table Rock Lake Shoreline Management Plan

TO: Corps of Engineers Decision Makers

FROM: Travis Phillips

RE: Table Rock Lake Shoreline Management Plan

Dear Corps of Engineers Decision Makers,

I am deeply concerned about the drastic changes that are being proposed in your draft Shoreline Management Plan for Table Rock Lake. The community has been very clear in thousands of public comments submitted that we are opposed to over-regulation. We've asked many times for NO CHANGE to be made to the Plan, but there are several items of major concern:

- I object to the carrying capacity as it limits the right to use the lake.
- I object to tighter restrictions placed upon vegetative management permits.
- I object to the new non-transferable grandfathered vegetative management permit rule.
- I object to financial hardships of removing electricity from the lake.
- I object to only one request every five years for dock modification.
- I object to the 8' depth requirement for any new docks.

I would ask that the Shoreline Management Plan NOT be changed. At the very least, please do not allow the changes noted above to go into effect. It would have a devastating economic impact and would be detrimental to the public's right to use and enjoy our lake.

I am encouraged that the public's comments during the process have been acknowledged by the Corps. Thank you for listening. Please continue to help us protect our rights to use and enjoy our beautiful lake.

Sincerely,

20170825_Phillips_T-W

Travis Phillips

From: CESWL-Table Rock Shoreline Management Plan Update <CESWL-TableRockShorelineManagementPlanUpdate@usace.army.mil>
Sent: Friday, August 25, 2017 10:41 AM
To: Murphy, Gina L.
Subject: FW: [Non-DoD Source] Table Rock Lake Shoreline Management Plan

-----Original Message-----

From: Gary `Pollard [<mailto:gpollard47@gmail.com>]
Sent: Friday, August 25, 2017 9:49 AM
To: CESWL-Table Rock Shoreline Management Plan Update <CESWL-TableRockShorelineManagementPlanUpdate@usace.army.mil>; savetablerock@gmail.com
Subject: [Non-DoD Source] Table Rock Lake Shoreline Management Plan

TO: Corps of Engineers Decision Makers

FROM: Gary Pollard

RE: Table Rock Lake Shoreline Management Plan

Dear Corps of Engineers Decision Makers,

I am deeply concerned about the drastic changes that are being proposed in your draft Shoreline Management Plan for Table Rock Lake. The community has been very clear in thousands of public comments submitted that we are opposed to over-regulation. We've asked many times for NO CHANGE to be made to the Plan, but there are several items of major concern:

- I object to the carrying capacity as it limits the right to use the lake.
- I object to tighter restrictions placed upon vegetative management permits.
- I object to the new non-transferable grandfathered vegetative management permit rule.
- I object to financial hardships of removing electricity from the lake.
- I object to only one request every five years for dock modification.
- I object to the 8' depth requirement for any new docks.

I would ask that the Shoreline Management Plan NOT be changed. At the very least, please do not allow the changes noted above to go into effect. It would have a devastating economic impact and would be detrimental to the public's right to use and enjoy our lake.

I just learned that the proposed plan includes the elimination of use of golf carts on corp property and the dock boxes are not to be used for fishing equipment, etc. How will it be possible for fishermen, boaters, or swimmers carry the equipment, ice chests, boat batteries and other items to and from the lake. The lakeshore is most times very steep and especially for older people, this would be a problem.

20170825_Pollard_G-W

Recreation is one function of the lake and these rules would grossly inhibit its use for this purpose. I am grossly opposed to these rules as well as the removal of buoys and conversion to solar. Please keep the rules as is.

I am encouraged that the public's comments during the process have been acknowledged by the Corps. Thank you for listening. Please continue to help us protect our rights to use and enjoy our beautiful lake.

Sincerely,

Gary Pollard

From: CESWL-Table Rock Shoreline Management Plan Update <CESWL-TableRockShorelineManagementPlanUpdate@usace.army.mil>
Sent: Friday, August 25, 2017 10:39 AM
To: Murphy, Gina L.
Subject: FW: [Non-DoD Source] Table Rock Lake Shoreline Management Plan

-----Original Message-----

From: Derrick`Porter [<mailto:skibumdots5@yahoo.com>]
Sent: Friday, August 25, 2017 7:34 AM
To: CESWL-Table Rock Shoreline Management Plan Update <CESWL-TableRockShorelineManagementPlanUpdate@usace.army.mil>; savetablerock@gmail.com
Subject: [Non-DoD Source] Table Rock Lake Shoreline Management Plan

TO: Corps of Engineers Decision Makers

FROM: Derrick Porter

RE: Table Rock Lake Shoreline Management Plan

Dear Corps of Engineers Decision Makers,

I am deeply concerned about the drastic changes that are being proposed in your draft Shoreline Management Plan for Table Rock Lake. The community has been very clear in thousands of public comments submitted that we are opposed to over-regulation. We've asked many times for NO CHANGE to be made to the Plan, but there are several items of major concern:

- I object to the carrying capacity as it limits the right to use the lake.
- I object to tighter restrictions placed upon vegetative management permits.
- I object to the new non-transferable grandfathered vegetative management permit rule.
- I object to financial hardships of removing electricity from the lake.
- I object to only one request every five years for dock modification.
- I object to the 8' depth requirement for any new docks.

I would ask that the Shoreline Management Plan NOT be changed. At the very least, please do not allow the changes noted above to go into effect. It would have a devastating economic impact and would be detrimental to the public's right to use and enjoy our lake.

Why change something that already works. You will ruin the lake for a lot of people if you make these ridiculous changes.

20170825_Porter_D-W

I am encouraged that the public's comments during the process have been acknowledged by the Corps. Thank you for listening. Please continue to help us protect our rights to use and enjoy our beautiful lake.

Sincerely,

Derrick Porter

From: CESWL-Table Rock Shoreline Management Plan Update <CESWL-TableRockShorelineManagementPlanUpdate@usace.army.mil>
Sent: Tuesday, August 29, 2017 8:43 AM
To: Murphy, Gina L.
Subject: FW: [EXTERNAL] Fwd: Shoreline Management Plan

-----Original Message-----

From: Coburn, Dana O CIV USARMY CESWL (US)
Sent: Monday, August 28, 2017 12:15 PM
To: CESWL-Table Rock Shoreline Management Plan Update
<CESWL-TableRockShorelineManagementPlanUpdate@usace.army.mil>
Subject: FW: [EXTERNAL] Fwd: Shoreline Management Plan

-----Original Message-----

From: CESWL-TR-DutyRoom SWL
Sent: Monday, August 28, 2017 8:39 AM
To: Coburn, Dana O CIV USARMY CESWL (US) <Dana.O.Coburn@usace.army.mil>
Subject: FW: [EXTERNAL] Fwd: Shoreline Management Plan

Dana,

Please note comments on the new SMP below.

V/R

Malcolm Fortson
Park Ranger
US Army Corps of Engineers
Table Rock Project Office
4600 State Highway 165
Branson, Missouri 65616
(501) 340-1935 (DUTY ROOM OFFICE)
DutyRoom.TableRock@usace.army.mil
(417) 334-4169 FAX
malcolm.w.fortson@usace.army.mil
<http://www.swl.usace.army.mil/Missions/Recreation/Lakes/TableRockLake.aspx>
<https://anglerspy.com/> for water temp.
Shoreline Zoning Map @ <http://arcg.is/1sZArCj>
<http://www.swl.usace.army.mil/Missions/Planning/Table-Rock-Lake-Shoreline-Management-Plan/>
Table Rock SMP Information @ <http://go.usa.gov/MG34>.
Possible Flowage Easement
<http://www.swl.usace.army.mil/Missions/Recreation/Lakes/TableRockLake/ShorelineManagement.aspx>

-----Original Message-----

From: melissa.prenger@yahoo.com [<mailto:melissa.prenger@yahoo.com>]

Sent: Friday, August 25, 2017 4:39 PM

To: CESWL-TR-DutyRoom SWL <DutyRoom.TableRock@usace.army.mil>

Subject: [EXTERNAL] Fwd: Shoreline Management Plan

Malcom,

Thank you for taking time today out of your schedule to converse about the Shoreline Management Plan.

Once again, I truly appreciate the regulatory efforts of the USACE to manage the shoreline of Table Rock Lake.

Only through these efforts are the residents able to enjoy a clean lake for generations.

Please pass my comments along to the appropriate committee or individual:

1) The no-wake buoys are needed in the coves. I understand that some of them need to be maintained and appreciate that lack of maintenance is a concern for the USACE and the Water Patrol.

No-wake signs on docks will not be visible, much like putting a speed limit sign on your front door instead of on the post by the street.

The no-wake buoys are obeyed by the vast majority of the boaters and they provide opportunity for recreational activities at the dock (swimming, fishing, etc).

2) The need to go solar in 2027 is, most likely, a topic that gets a lot of comments. I am not surprised by this requirement and am glad that the requirement is 10 years in the future giving residents the ability to plan financially.

3) Page 38, lines 1 and 2 are perhaps the most concerning comments made in the document.

It states: "It would be irresponsible to allow a 60% increase in development because this number does not account for changes in use patterns."

Yet, in the next paragraph the number of new access opportunities being allowed is an increase of 60%.

The plan states without proper management (Page 37, line 40-41 & Page 38, line 1) "opportunities for other classes of experience on the lake will be eliminated and those boaters looking to fish, swim, or relax quietly will likely be displaced elsewhere to seek out their recreational experience."

My question/comment is why isn't a more conservative and responsible growth

being recommended, i.e. 45% or 50%, to satisfy the desire for additional docks or access points but not reach this maximum threshold? This would not rule out the additional growth in the future and there would be more boats on the water to look at the changes in use patterns to determine if 60% is the maximum threshold (as opposed to 55% or 63%).

Per Page 38, Lines 1-2 of the Shoreline Management plan, the recommended increase of 60% (30,806) at this time conflicts with long term shoreline management.

Thank you.

Melissa Prenger, PE

From: CESWL-Table Rock Shoreline Management Plan Update <CESWL-TableRockShorelineManagementPlanUpdate@usace.army.mil>
Sent: Tuesday, August 29, 2017 8:07 AM
To: Murphy, Gina L.
Subject: FW: [Non-DoD Source] Table Rock Lake Shoreline Management Plan

-----Original Message-----

From: CRAIG`PULLMAN [<mailto:cnkplay@msn.com>]
Sent: Friday, August 25, 2017 10:55 AM
To: CESWL-Table Rock Shoreline Management Plan Update <CESWL-TableRockShorelineManagementPlanUpdate@usace.army.mil>; savetablerock@gmail.com
Subject: [Non-DoD Source] Table Rock Lake Shoreline Management Plan

TO: Corps of Engineers Decision Makers

FROM: CRAIG PULLMAN

RE: Table Rock Lake Shoreline Management Plan

Dear Corps of Engineers Decision Makers,

I am deeply concerned about the drastic changes that are being proposed in your draft Shoreline Management Plan for Table Rock Lake. The community has been very clear in thousands of public comments submitted that we are opposed to over-regulation. We've asked many times for NO CHANGE to be made to the Plan, but there are several items of major concern:

- I object to the carrying capacity as it limits the right to use the lake.
- I object to tighter restrictions placed upon vegetative management permits.
- I object to the new non-transferable grandfathered vegetative management permit rule.
- I object to financial hardships of removing electricity from the lake.
- I object to only one request every five years for dock modification.
- I object to the 8' depth requirement for any new docks.

I would ask that the Shoreline Management Plan NOT be changed. At the very least, please do not allow the changes noted above to go into effect. It would have a devastating economic impact and would be detrimental to the public's right to use and enjoy our lake.

I am encouraged that the public's comments during the process have been acknowledged by the Corps. Thank you for listening. Please continue to help us protect our rights to use and enjoy our beautiful lake.

Sincerely,

20170825_Pullman_C-W

CRAIG PULLMAN

From: CESWL-Table Rock Shoreline Management Plan Update <CESWL-TableRockShorelineManagementPlanUpdate@usace.army.mil>
Sent: Tuesday, August 29, 2017 8:10 AM
To: Murphy, Gina L.
Subject: FW: [Non-DoD Source] Table Rock Lake Shoreline Management Plan

-----Original Message-----

From: Jessica`Quade [<mailto:nursehunt@gmail.com>]
Sent: Friday, August 25, 2017 12:50 PM
To: CESWL-Table Rock Shoreline Management Plan Update <CESWL-TableRockShorelineManagementPlanUpdate@usace.army.mil>; savetablerock@gmail.com
Subject: [Non-DoD Source] Table Rock Lake Shoreline Management Plan

TO: Corps of Engineers Decision Makers

FROM: Jessica Quade

RE: Table Rock Lake Shoreline Management Plan

Dear Corps of Engineers Decision Makers,

I am deeply concerned about the drastic changes that are being proposed in your draft Shoreline Management Plan for Table Rock Lake. The community has been very clear in thousands of public comments submitted that we are opposed to over-regulation. We've asked many times for NO CHANGE to be made to the Plan, but there are several items of major concern:

- I object to the carrying capacity as it limits the right to use the lake.
- I object to tighter restrictions placed upon vegetative management permits.
- I object to the new non-transferable grandfathered vegetative management permit rule.
- I object to financial hardships of removing electricity from the lake.
- I object to only one request every five years for dock modification.
- I object to the 8' depth requirement for any new docks.

I would ask that the Shoreline Management Plan NOT be changed. At the very least, please do not allow the changes noted above to go into effect. It would have a devastating economic impact and would be detrimental to the public's right to use and enjoy our lake.

I understand what the corps, it is attempting to protect the lake. Although my parents, which are in thier 60's, just built a new dock. The only location the corps would approve was basically at the bottom of a mountain and would only allow for a short stairway, then they have to scale a rockface. Even for younger people the route can be treacherous. So basically they have quit boating altogether because

20170825_Quade_J-WA

they can not get to their boat. We will go get it for them and meet the at a launch dock. I know this is not the only dock like this. Many people feel thier docks is needing replaced and can not get a new one or if they do get a new one, they lose the safe access to it. There has to be a compromise for some of this. I have not worked with the corps although I have been told how none compromising and difficult they are. There really really no reason for that. It does not help the lake to build a dock, no one can get to or would get harmed if they tried. I am a young people and I have gotten seriously hurt. The Corp refused to do anything or allow for better access. I also see docks next to properties with great access and some less, no consistency. Why can some walk right out to there dock and others can not.

I am encouraged that the public's comments during the process have been acknowledged by the Corps. Thank you for listening. Please continue to help us protect our rights to use and enjoy our beautiful lake.

Sincerely,

Jessica Quade

From: CESWL-Table Rock Shoreline Management Plan Update <CESWL-TableRockShorelineManagementPlanUpdate@usace.army.mil>
Sent: Friday, August 25, 2017 10:38 AM
To: Murphy, Gina L.
Subject: FW: [Non-DoD Source] Table Rock Lake Shoreline Management Plan

-----Original Message-----

From: Bradley Rader [<mailto:bradrader@century.net>]
Sent: Friday, August 25, 2017 12:30 AM
To: CESWL-Table Rock Shoreline Management Plan Update <CESWL-TableRockShorelineManagementPlanUpdate@usace.army.mil>; savetablerock@gmail.com
Subject: [Non-DoD Source] Table Rock Lake Shoreline Management Plan

TO: Corps of Engineers Decision Makers

FROM: Bradley Rader

RE: Table Rock Lake Shoreline Management Plan

Dear Corps of Engineers Decision Makers,

I am deeply concerned about the drastic changes that are being proposed in your draft Shoreline Management Plan for Table Rock Lake. The community has been very clear in thousands of public comments submitted that we are opposed to over-regulation. We've asked many times for NO CHANGE to be made to the Plan, but there are several items of major concern:

- I object to the carrying capacity as it limits the right to use the lake.
- I object to tighter restrictions placed upon vegetative management permits.
- I object to the new non-transferable grandfathered vegetative management permit rule.
- I object to financial hardships of removing electricity from the lake.
- I object to only one request every five years for dock modification.
- I object to the 8' depth requirement for any new docks.

I would ask that the Shoreline Management Plan NOT be changed. At the very least, please do not allow the changes noted above to go into effect. It would have a devastating economic impact and would be detrimental to the public's right to use and enjoy our lake.

You are causing unbearable hardships on dock owners and slip owners with the no electricity proposal issue. We the people are the ones providing your jobs and pay, because you are a federal agency under the Department of Defense paid by tax dollars, so please pay attention to our desires and wishes.

20170825_Rader_B-WA

I am encouraged that the public's comments during the process have been acknowledged by the Corps. Thank you for listening. Please continue to help us protect our rights to use and enjoy our beautiful lake.

Sincerely,

Bradley Rader

From: CESWL-Table Rock Shoreline Management Plan Update <CESWL-TableRockShorelineManagementPlanUpdate@usace.army.mil>
Sent: Friday, August 25, 2017 10:40 AM
To: Murphy, Gina L.
Subject: FW: [Non-DoD Source] Table Rock Lake Shoreline Management Plan

-----Original Message-----

From: Robert Reynolds [<mailto:bocarol33@yahoo.com>]
Sent: Friday, August 25, 2017 8:28 AM
To: CESWL-Table Rock Shoreline Management Plan Update <CESWL-TableRockShorelineManagementPlanUpdate@usace.army.mil>; savetablerock@gmail.com
Subject: [Non-DoD Source] Table Rock Lake Shoreline Management Plan

TO: Corps of Engineers Decision Makers

FROM: Robert Reynolds

RE: Table Rock Lake Shoreline Management Plan

Dear Corps of Engineers Decision Makers,

I am deeply concerned about the drastic changes that are being proposed in your draft Shoreline Management Plan for Table Rock Lake. The community has been very clear in thousands of public comments submitted that we are opposed to over-regulation. We've asked many times for NO CHANGE to be made to the Plan, but there are several items of major concern:

- I object to the carrying capacity as it limits the right to use the lake.
- I object to tighter restrictions placed upon vegetative management permits.
- I object to the new non-transferable grandfathered vegetative management permit rule.
- I object to financial hardships of removing electricity from the lake.
- I object to only one request every five years for dock modification.
- I object to the 8' depth requirement for any new docks.

I would ask that the Shoreline Management Plan NOT be changed. At the very least, please do not allow the changes noted above to go into effect. It would have a devastating economic impact and would be detrimental to the public's right to use and enjoy our lake.

I am encouraged that the public's comments during the process have been acknowledged by the Corps. Thank you for listening. Please continue to help us protect our rights to use and enjoy our beautiful lake.

Sincerely,

20170825_Reynolds_R-W

Robert Reynolds

From: CESWL-Table Rock Shoreline Management Plan Update <CESWL-TableRockShorelineManagementPlanUpdate@usace.army.mil>
Sent: Friday, August 25, 2017 10:38 AM
To: Murphy, Gina L.
Subject: FW: [Non-DoD Source] Table Rock Lake Shoreline Management Plan

-----Original Message-----

From: Jerry Rogelstad [<mailto:trogels@sbcglobal.net>]
Sent: Friday, August 25, 2017 12:49 AM
To: CESWL-Table Rock Shoreline Management Plan Update <CESWL-TableRockShorelineManagementPlanUpdate@usace.army.mil>; savetablerock@gmail.com
Subject: [Non-DoD Source] Table Rock Lake Shoreline Management Plan

TO: Corps of Engineers Decision Makers

FROM: Jerry Rogelstad

RE: Table Rock Lake Shoreline Management Plan

Dear Corps of Engineers Decision Makers,

I am deeply concerned about the drastic changes that are being proposed in your draft Shoreline Management Plan for Table Rock Lake. The community has been very clear in thousands of public comments submitted that we are opposed to over-regulation. We've asked many times for NO CHANGE to be made to the Plan, but there are several items of major concern:

- I object to the carrying capacity as it limits the right to use the lake.
- I object to tighter restrictions placed upon vegetative management permits.
- I object to the new non-transferable grandfathered vegetative management permit rule.
- I object to financial hardships of removing electricity from the lake.
- I object to only one request every five years for dock modification.
- I object to the 8' depth requirement for any new docks.

I would ask that the Shoreline Management Plan NOT be changed. At the very least, please do not allow the changes noted above to go into effect. It would have a devastating economic impact and would be detrimental to the public's right to use and enjoy our lake.

Please don't over regulate our beautiful lake. Most all of us love and respect and take care of our lake. Every time I look at the beauty surrounding us I applaud Your past efforts that have maintained it in this manner. However, in recent years it has been a reason and a very valid reason why homeowners had such a negative view on the Corp due to the many rules and restrictions many of which frankly simply do

20170825_Rogelstad_J-WA

not make any common sense. Continue on as you have in the past as the pristine condition of the lake Bears testament that your current policies have been working just fine. If it ain't broke don't fix it!

I am encouraged that the public's comments during the process have been acknowledged by the Corps. Thank you for listening. Please continue to help us protect our rights to use and enjoy our beautiful lake.

Sincerely,

Jerry Rogelstad

From: CESWL-Table Rock Shoreline Management Plan Update <CESWL-TableRockShorelineManagementPlanUpdate@usace.army.mil>
Sent: Tuesday, August 29, 2017 8:10 AM
To: Murphy, Gina L.
Subject: FW: [Non-DoD Source] Table Rock Lake Shoreline Management Plan

-----Original Message-----

From: Alichah Rohman [<mailto:bmw7781@aol.com>]
Sent: Friday, August 25, 2017 12:42 PM
To: CESWL-Table Rock Shoreline Management Plan Update <CESWL-TableRockShorelineManagementPlanUpdate@usace.army.mil>; savetablerock@gmail.com
Subject: [Non-DoD Source] Table Rock Lake Shoreline Management Plan

TO: Corps of Engineers Decision Makers

FROM: Alichah Rohman

RE: Table Rock Lake Shoreline Management Plan

Dear Corps of Engineers Decision Makers,

I am deeply concerned about the drastic changes that are being proposed in your draft Shoreline Management Plan for Table Rock Lake. The community has been very clear in thousands of public comments submitted that we are opposed to over-regulation. We've asked many times for NO CHANGE to be made to the Plan, but there are several items of major concern:

- I object to the carrying capacity as it limits the right to use the lake.
- I object to tighter restrictions placed upon vegetative management permits.
- I object to the new non-transferable grandfathered vegetative management permit rule.
- I object to financial hardships of removing electricity from the lake.
- I object to only one request every five years for dock modification.
- I object to the 8' depth requirement for any new docks.

I would ask that the Shoreline Management Plan NOT be changed. At the very least, please do not allow the changes noted above to go into effect. It would have a devastating economic impact and would be detrimental to the public's right to use and enjoy our lake.

I am encouraged that the public's comments during the process have been acknowledged by the Corps. Thank you for listening. Please continue to help us protect our rights to use and enjoy our beautiful lake.

Sincerely,

20170825_Rohman_A-W

Alicha Rohman

From: CESWL-Table Rock Shoreline Management Plan Update <CESWL-TableRockShorelineManagementPlanUpdate@usace.army.mil>
Sent: Tuesday, August 29, 2017 8:09 AM
To: Murphy, Gina L.
Subject: FW: [Non-DoD Source] Table Rock Lake Shoreline Management Plan

-----Original Message-----

From: Ryan`Rohman [<mailto:rohman1414@msn.com>]
Sent: Friday, August 25, 2017 12:26 PM
To: CESWL-Table Rock Shoreline Management Plan Update <CESWL-TableRockShorelineManagementPlanUpdate@usace.army.mil>; savetablerock@gmail.com
Subject: [Non-DoD Source] Table Rock Lake Shoreline Management Plan

TO: Corps of Engineers Decision Makers

FROM: Ryan Rohman

RE: Table Rock Lake Shoreline Management Plan

Dear Corps of Engineers Decision Makers,

I am deeply concerned about the drastic changes that are being proposed in your draft Shoreline Management Plan for Table Rock Lake. The community has been very clear in thousands of public comments submitted that we are opposed to over-regulation. We've asked many times for NO CHANGE to be made to the Plan, but there are several items of major concern:

- I object to the carrying capacity as it limits the right to use the lake.
- I object to tighter restrictions placed upon vegetative management permits.
- I object to the new non-transferable grandfathered vegetative management permit rule.
- I object to financial hardships of removing electricity from the lake.
- I object to only one request every five years for dock modification.
- I object to the 8' depth requirement for any new docks.

I would ask that the Shoreline Management Plan NOT be changed. At the very least, please do not allow the changes noted above to go into effect. It would have a devastating economic impact and would be detrimental to the public's right to use and enjoy our lake.

Our current plan and lake is beautiful. Please do not ruin it.

I am encouraged that the public's comments during the process have been acknowledged by the Corps. Thank you for listening. Please continue to help us protect our rights to use and enjoy our beautiful lake.

20170825_Rohman_R-W

Sincerely,

Ryan Rohman

From: CESWL-Table Rock Shoreline Management Plan Update <CESWL-TableRockShorelineManagementPlanUpdate@usace.army.mil>
Sent: Tuesday, August 29, 2017 8:08 AM
To: Murphy, Gina L.
Subject: FW: [Non-DoD Source] Table Rock Lake Shoreline Management Plan

-----Original Message-----

From: Andrew Ruprecht [<mailto:andy.ruprecht@suddenlinkmail.com>]
Sent: Friday, August 25, 2017 11:40 AM
To: CESWL-Table Rock Shoreline Management Plan Update <CESWL-TableRockShorelineManagementPlanUpdate@usace.army.mil>; savetablerock@gmail.com
Subject: [Non-DoD Source] Table Rock Lake Shoreline Management Plan

TO: Corps of Engineers Decision Makers

FROM: Andrew Ruprecht

RE: Table Rock Lake Shoreline Management Plan

Dear Corps of Engineers Decision Makers,

I am deeply concerned about the drastic changes that are being proposed in your draft Shoreline Management Plan for Table Rock Lake. The community has been very clear in thousands of public comments submitted that we are opposed to over-regulation. We've asked many times for NO CHANGE to be made to the Plan, but there are several items of major concern:

- I object to the carrying capacity as it limits the right to use the lake.
- I object to tighter restrictions placed upon vegetative management permits.
- I object to the new non-transferable grandfathered vegetative management permit rule.
- I object to financial hardships of removing electricity from the lake.
- I object to only one request every five years for dock modification.
- I object to the 8' depth requirement for any new docks.

I would ask that the Shoreline Management Plan NOT be changed. At the very least, please do not allow the changes noted above to go into effect. It would have a devastating economic impact and would be detrimental to the public's right to use and enjoy our lake.

I am encouraged that the public's comments during the process have been acknowledged by the Corps. Thank you for listening. Please continue to help us protect our rights to use and enjoy our beautiful lake.

Sincerely,

20170825_Ruprecht_A-W

Andrew Ruprecht

From: CESWL-Table Rock Shoreline Management Plan Update <CESWL-TableRockShorelineManagementPlanUpdate@usace.army.mil>
Sent: Monday, September 04, 2017 11:12 AM
To: Murphy, Gina L.
Subject: FW: TABLE ROCK LAKE (Limit Boat/Vessel Size) SMP Update Comment

-----Original Message-----

From: CESWL-TR-DutyRoom SWL
Sent: Wednesday, August 30, 2017 9:30 AM
To: CESWL-Table Rock Shoreline Management Plan Update <CESWL-TableRockShorelineManagementPlanUpdate@usace.army.mil>
Subject: FW: TABLE ROCK LAKE (Limit Boat/Vessel Size) SMP Update Comment

Please see comments below.

V/R

Malcolm Fortson
Park Ranger
US Army Corps of Engineers
Table Rock Project Office
4600 State Highway 165
Branson, Missouri 65616
(501) 340-1935 (DUTY ROOM OFFICE)
DutyRoom.TableRock@usace.army.mil
(417) 334-4169 FAX
malcolm.w.fortson@usace.army.mil
[https://urldefense.proofpoint.com/v2/url?u=https-3A_anglerspy.com_&d=DwIFAg&c=NpiPIT1KNSO0vXgGk6ogJQ&r=tEs4dC0c8-qnahgpFHcy2IiJ1QUssAle4FK88H3xxNU&m=EPHf1_tSnRnP2mymBUza16xVDV--drLq5wwoxRqfCt0&s=Z23oqdF35ipfKWRv4EKDBXxtM6xviDb1YDryr5dXDW4&e=](https://urldefense.proofpoint.com/v2/url?u=http-3A_www.swl.usace.army.mil_Missions_Recreation_Lakes_TableRockLake.aspx&d=DwIFAg&c=NpiPIT1KNSO0vXgGk6ogJQ&r=tEs4dC0c8-qnahgpFHcy2IiJ1QUssAle4FK88H3xxNU&m=EPHf1_tSnRnP2mymBUza16xVDV--drLq5wwoxRqfCt0&s=mm4VNWfzYXDkTY15O4M-pxVAJCPXU2zQqM_Mv7DPevU&e=https://urldefense.proofpoint.com/v2/url?u=https-3A_anglerspy.com_&d=DwIFAg&c=NpiPIT1KNSO0vXgGk6ogJQ&r=tEs4dC0c8-qnahgpFHcy2IiJ1QUssAle4FK88H3xxNU&m=EPHf1_tSnRnP2mymBUza16xVDV--drLq5wwoxRqfCt0&s=Z23oqdF35ipfKWRv4EKDBXxtM6xviDb1YDryr5dXDW4&e=) for water temp.
Shoreline Zoning Map @ [https://urldefense.proofpoint.com/v2/url?u=http-3A_www.swl.usace.army.mil_Missions_Planning_Table-2DRock-2DLake-2DShoreline-2DMa&d=DwIFAg&c=NpiPIT1KNSO0vXgGk6ogJQ&r=tEs4dC0c8-qnahgpFHcy2IiJ1QUssAle4FK88H3xxNU&m=EPHf1_tSnRnP2mymBUza16xVDV--drLq5wwoxRqfCt0&s=VL4PGf7rMDixImpYH7p4lo1z6BJRxGHfYEG6J81Ncl&e=](https://urldefense.proofpoint.com/v2/url?u=http-3A_arcg.is_1sZArCj&d=DwIFAg&c=NpiPIT1KNSO0vXgGk6ogJQ&r=tEs4dC0c8-qnahgpFHcy2IiJ1QUssAle4FK88H3xxNU&m=EPHf1_tSnRnP2mymBUza16xVDV--drLq5wwoxRqfCt0&s=lmB4ctygeFP2za_mCTZbXjU08O0y2MELUT4xERhE_oo&e=https://urldefense.proofpoint.com/v2/url?u=http-3A_www.swl.usace.army.mil_Missions_Planning_Table-2DRock-2DLake-2DShoreline-2DMa&d=DwIFAg&c=NpiPIT1KNSO0vXgGk6ogJQ&r=tEs4dC0c8-qnahgpFHcy2IiJ1QUssAle4FK88H3xxNU&m=EPHf1_tSnRnP2mymBUza16xVDV--drLq5wwoxRqfCt0&s=VL4PGf7rMDixImpYH7p4lo1z6BJRxGHfYEG6J81Ncl&e=)
nagement-Plan/

20170825_Schavey_R

Table Rock SMP Information @ https://urldefense.proofpoint.com/v2/url?u=http-3A_go.usa.gov_MG34&d=DwIFAg&c=NpiPIT1KNSO0vXgGk6ogJQ&r=tEs4dC0c8-qnahgpfHCY2IIJ1QUssAle4FK88H3xxNU&m=EPHf1_tSnRnP2mymBUza16xVDV--drLq5wwoxRqfCt0&s=jJl_Rtu2tClpc-VPYmKNFf7WZllv7_JDibVXzeUqvHo&e= .

Possible Flowage Easement

https://urldefense.proofpoint.com/v2/url?u=http-3A_www.swl.usace.army.mil_Missions_Recreation_Lakes_TableRockLake_Shorel&d=DwIFAg&c=NpiPIT1KNSO0vXgGk6ogJQ&r=tEs4dC0c8-qnahgpfHCY2IIJ1QUssAle4FK88H3xxNU&m=EPHf1_tSnRnP2mymBUza16xVDV--drLq5wwoxRqfCt0&s=KJSCZDFR22e7ZJ5LvUGmAPY3AJsKO2iTLW6u-r0nlbE&e=
ineManagement.aspx

-----Original Message-----

From: CESWL-TR SWL

Sent: Tuesday, August 29, 2017 2:45 PM

To: CESWL-TR-DutyRoom SWL <DutyRoom.TableRock@usace.army.mil>

Subject: FW: TABLE ROCK LAKE

See below.

-----Original Message-----

From: RuthAnn Schavey [<mailto:dschavey@live.com>]

Sent: Friday, August 25, 2017 11:16 AM

To: CESWL-TR SWL <TR.CESWL-TR@usace.army.mil>

Subject: [Non-DoD Source] FW: TABLE ROCK LAKE

Sent from Mail <Blocked<https://go.microsoft.com/fwlink/?LinkId=550986>> for Windows 10

We have lived on Table Rock Lake for 20 years and have vacationed here since 1972. For the past 18 years we live on Point Seven looking over to the North and the Kimberling City Bridge. Over these years we have become very concerned about the large boats with powerful motors on the lake. Many a Saturday we have seen 16 and 17 foot family runabouts "swamped" by the wake from these boats with powerful engines.

Our concern was once again brought to light when we recently followed into Kimberling City a boat so large it required vehicles in front and back with flashing lights to accompany it on it's journey to the lake.

20170825_Schavey_R

It was a sea-worthy, ocean-going vessel at least 60 plus feet long and appeared to have considerable cabin quarters below deck. I have seen these boats in Florida, the Gulf and California but never before on this lake.

Has the Corps ever considered limiting the engine horsepower or length of pleasure boats on Table Rock? Should it be a consideration before this lake becomes unsafe for the average person's affordable boat? Please take this concern seriously. We are not the only people on the lake who fear for the future use of Table Rock.

Sincerely,

RuthAnn and Dale Schavey

417-230-0463

dschavey@live.com

Sent from Mail <Blocked<https://go.microsoft.com/fwlink/?LinkId=550986>> for Windows 10

From: CESWL-Table Rock Shoreline Management Plan Update <CESWL-TableRockShorelineManagementPlanUpdate@usace.army.mil>
Sent: Tuesday, August 29, 2017 8:11 AM
To: Murphy, Gina L.
Subject: FW: [Non-DoD Source] Table Rock Lake Shoreline Management Plan

-----Original Message-----

From: James `Schillinger [<mailto:jschilli05@gmail.com>]
Sent: Friday, August 25, 2017 2:34 PM
To: CESWL-Table Rock Shoreline Management Plan Update <CESWL-TableRockShorelineManagementPlanUpdate@usace.army.mil>; savetablerock@gmail.com
Subject: [Non-DoD Source] Table Rock Lake Shoreline Management Plan

TO: Corps of Engineers Decision Makers

FROM: James Schillinger

RE: Table Rock Lake Shoreline Management Plan

Dear Corps of Engineers Decision Makers,

I am deeply concerned about the drastic changes that are being proposed in your draft Shoreline Management Plan for Table Rock Lake. The community has been very clear in thousands of public comments submitted that we are opposed to over-regulation. We've asked many times for NO CHANGE to be made to the Plan, but there are several items of major concern:

- I object to the carrying capacity as it limits the right to use the lake.
- I object to tighter restrictions placed upon vegetative management permits.
- I object to the new non-transferable grandfathered vegetative management permit rule.
- I object to financial hardships of removing electricity from the lake.
- I object to only one request every five years for dock modification.
- I object to the 8' depth requirement for any new docks.

I would ask that the Shoreline Management Plan NOT be changed. At the very least, please do not allow the changes noted above to go into effect. It would have a devastating economic impact and would be detrimental to the public's right to use and enjoy our lake.

I object to the Corp of Engineers thinking they have the right to tell people how they can use there docks and boat slips, that they have already paid too much for and pay taxes and insurance on. I object to the Corp on Engineers thinking they the right to tell people how they can and Connot use their private dock lockers on their privately owned docks.

20170825_Schillinger_J-WA

I object to the removal of No Wake bouys, especially since there are more and more wake boats on the lake. For safety reasons we need more No Wake bouys and since the corp wants to make rules, they should forblid wake boats on the lake where it is less then 2000 feet wide.

I object to the Corp of Engineers allowing any boat that produces a wake over 2 foot deep on the lake where the width of the lake is less then 2000 feet across.

I object to the Corp of Engineers not allowing more and bigger parking for dock and slip owners.

I object to the Corp of Engineers dictating ridiculous rules and ideas to the true owners of this lake; the tax payers!

I am encouraged that the public's comments during the process have been acknowledged by the Corps. Thank you for listening. Please continue to help us protect our rights to use and enjoy our beautiful lake.

Sincerely,

James Schillinger

From: CESWL-Table Rock Shoreline Management Plan Update <CESWL-TableRockShorelineManagementPlanUpdate@usace.army.mil>
Sent: Friday, August 25, 2017 10:39 AM
To: Murphy, Gina L.
Subject: FW: [Non-DoD Source] Table Rock Lake Shoreline Management Plan

-----Original Message-----

From: Kerry Schillinger [<mailto:kschillinger1@cox.net>]
Sent: Friday, August 25, 2017 7:19 AM
To: CESWL-Table Rock Shoreline Management Plan Update <CESWL-TableRockShorelineManagementPlanUpdate@usace.army.mil>; savetablerock@gmail.com
Subject: [Non-DoD Source] Table Rock Lake Shoreline Management Plan

TO: Corps of Engineers Decision Makers

FROM: Kerry Schillinger

RE: Table Rock Lake Shoreline Management Plan

Dear Corps of Engineers Decision Makers,

I am deeply concerned about the drastic changes that are being proposed in your draft Shoreline Management Plan for Table Rock Lake. The community has been very clear in thousands of public comments submitted that we are opposed to over-regulation. We've asked many times for NO CHANGE to be made to the Plan, but there are several items of major concern:

- I object to the carrying capacity as it limits the right to use the lake.
- I object to tighter restrictions placed upon vegetative management permits.
- I object to the new non-transferable grandfathered vegetative management permit rule.
- I object to financial hardships of removing electricity from the lake.
- I object to only one request every five years for dock modification.
- I object to the 8' depth requirement for any new docks.

I would ask that the Shoreline Management Plan NOT be changed. At the very least, please do not allow the changes noted above to go into effect. It would have a devastating economic impact and would be detrimental to the public's right to use and enjoy our lake.

The changes proposed serve no purpose other than benefiting the corps, not the people that spend their hard earned money to use the lake and its facilities.

Your proposed changes are unwanted and ridiculous.

20170825_Schillinger_K-WA

I am encouraged that the public's comments during the process have been acknowledged by the Corps. Thank you for listening. Please continue to help us protect our rights to use and enjoy our beautiful lake.

Sincerely,

Kerry Schillinger

From: CESWL-Table Rock Shoreline Management Plan Update <CESWL-TableRockShorelineManagementPlanUpdate@usace.army.mil>
Sent: Tuesday, August 29, 2017 8:14 AM
To: Murphy, Gina L.
Subject: FW: [EXTERNAL] Table Rock Lake Shoreline Management Plan

-----Original Message-----

From: Marlynn`Schillinger [<mailto:mschilli05@gmail.com>]
Sent: Friday, August 25, 2017 7:19 PM
To: CESWL-Table Rock Shoreline Management Plan Update <CESWL-TableRockShorelineManagementPlanUpdate@usace.army.mil>; savetablerock@gmail.com
Subject: [EXTERNAL] Table Rock Lake Shoreline Management Plan

TO: Corps of Engineers Decision Makers

FROM: Marlynn Schillinger

RE: Table Rock Lake Shoreline Management Plan

Dear Corps of Engineers Decision Makers,

I am deeply concerned about the drastic changes that are being proposed in your draft Shoreline Management Plan for Table Rock Lake. The community has been very clear in thousands of public comments submitted that we are opposed to over-regulation. We've asked many times for NO CHANGE to be made to the Plan, but there are several items of major concern:

- I object to the carrying capacity as it limits the right to use the lake.
- I object to tighter restrictions placed upon vegetative management permits.
- I object to the new non-transferable grandfathered vegetative management permit rule.
- I object to financial hardships of removing electricity from the lake.
- I object to only one request every five years for dock modification.
- I object to the 8' depth requirement for any new docks.

I would ask that the Shoreline Management Plan NOT be changed. At the very least, please do not allow the changes noted above to go into effect. It would have a devastating economic impact and would be detrimental to the public's right to use and enjoy our lake.

I object to removing dock boxes & swimming equipment from the docks. I object to the removal of the NO WAKE BUOYS. If anything needs removed it is the WAKE BOATS!! They are dangerous to other boats that use the lake because of the BIG WAKES they produce. I object to the speed that people use that creates dangerous situations. We need to somehow have more control over these speeding boats. I

20170825_Schillinger_M-WA

object to the corp of engineers not wanting golf carts in dock parking lots since parking is already limited by the corp. Why can't the corp just leave well enough alone??? Why must you always keep thinking up useless rules? Surely you have better things to do!!!! Thank you for your time.

I am encouraged that the public's comments during the process have been acknowledged by the Corps. Thank you for listening. Please continue to help us protect our rights to use and enjoy our beautiful lake.

Sincerely,

Marlynn Schillinger

From: CESWL-Table Rock Shoreline Management Plan Update <CESWL-TableRockShorelineManagementPlanUpdate@usace.army.mil>
Sent: Tuesday, August 29, 2017 8:15 AM
To: Murphy, Gina L.
Subject: FW: [EXTERNAL] Table Rock Lake Shoreline Management Plan

-----Original Message-----

From: David`Shull [<mailto:dawgwalk6@gmail.com>]
Sent: Friday, August 25, 2017 8:55 PM
To: CESWL-Table Rock Shoreline Management Plan Update <CESWL-TableRockShorelineManagementPlanUpdate@usace.army.mil>; savetablerock@gmail.com
Subject: [EXTERNAL] Table Rock Lake Shoreline Management Plan

TO: Corps of Engineers Decision Makers

FROM: David Shull

RE: Table Rock Lake Shoreline Management Plan

Dear Corps of Engineers Decision Makers,

I am deeply concerned about the drastic changes that are being proposed in your draft Shoreline Management Plan for Table Rock Lake. The community has been very clear in thousands of public comments submitted that we are opposed to over-regulation. We've asked many times for NO CHANGE to be made to the Plan, but there are several items of major concern:

- I object to the carrying capacity as it limits the right to use the lake.
- I object to tighter restrictions placed upon vegetative management permits.
- I object to the new non-transferable grandfathered vegetative management permit rule.
- I object to financial hardships of removing electricity from the lake.
- I object to only one request every five years for dock modification.
- I object to the 8' depth requirement for any new docks.

I would ask that the Shoreline Management Plan NOT be changed. At the very least, please do not allow the changes noted above to go into effect. It would have a devastating economic impact and would be detrimental to the public's right to use and enjoy our lake.

I am concerned that "no wake" buoys will be removed around private docks. There are too many close calls near docks because of the increased number of people using the swim platform attached to private docks.

20170825_Shull_D-WA

If the Corp is concerned about the safety of the public, it would be in the best interest of all to reduce speeds of pwc and boats near docks.

Supplying electricity to the docks is an important issue. With the floods we have seen in the last few years, I can see the reasons for needing solar or alternative electric sources.

If erosion is kept under control, slip owners should be allowed to use golf carts to access their slip areas.

I am encouraged that the public's comments during the process have been acknowledged by the Corps. Thank you for listening. Please continue to help us protect our rights to use and enjoy our beautiful lake.

Sincerely,

David Shull

From: CESWL-Table Rock Shoreline Management Plan Update <CESWL-TableRockShorelineManagementPlanUpdate@usace.army.mil>
Sent: Tuesday, August 29, 2017 8:08 AM
To: Murphy, Gina L.
Subject: FW: [Non-DoD Source] Table Rock Lake Shoreline Management Plan

-----Original Message-----

From: Rick`Skidmore [<mailto:SKIDMORESKY1@AOL.COM>]
Sent: Friday, August 25, 2017 11:29 AM
To: CESWL-Table Rock Shoreline Management Plan Update <CESWL-TableRockShorelineManagementPlanUpdate@usace.army.mil>; savetablerock@gmail.com
Subject: [Non-DoD Source] Table Rock Lake Shoreline Management Plan

TO: Corps of Engineers Decision Makers

FROM: Rick Skidmore

RE: Table Rock Lake Shoreline Management Plan

Dear Corps of Engineers Decision Makers,

I am deeply concerned about the drastic changes that are being proposed in your draft Shoreline Management Plan for Table Rock Lake. The community has been very clear in thousands of public comments submitted that we are opposed to over-regulation. We've asked many times for NO CHANGE to be made to the Plan, but there are several items of major concern:

- I object to the carrying capacity as it limits the right to use the lake.
- I object to tighter restrictions placed upon vegetative management permits.
- I object to the new non-transferable grandfathered vegetative management permit rule.
- I object to financial hardships of removing electricity from the lake.
- I object to only one request every five years for dock modification.
- I object to the 8' depth requirement for any new docks.

I would ask that the Shoreline Management Plan NOT be changed. At the very least, please do not allow the changes noted above to go into effect. It would have a devastating economic impact and would be detrimental to the public's right to use and enjoy our lake.

I am encouraged that the public's comments during the process have been acknowledged by the Corps. Thank you for listening. Please continue to help us protect our rights to use and enjoy our beautiful lake.

Sincerely,

20170825_Skidmore_R-W

Rick Skidmore

From: CESWL-Table Rock Shoreline Management Plan Update <CESWL-TableRockShorelineManagementPlanUpdate@usace.army.mil>
Sent: Tuesday, August 29, 2017 8:15 AM
To: Murphy, Gina L.
Subject: FW: [EXTERNAL] Table Rock Lake Shoreline Management Plan

-----Original Message-----

From: Kenneth`Smith [<mailto:kenshd@yahoo.com>]
Sent: Friday, August 25, 2017 8:22 PM
To: CESWL-Table Rock Shoreline Management Plan Update <CESWL-TableRockShorelineManagementPlanUpdate@usace.army.mil>; savetablerock@gmail.com
Subject: [EXTERNAL] Table Rock Lake Shoreline Management Plan

TO: Corps of Engineers Decision Makers

FROM: Kenneth Smith

RE: Table Rock Lake Shoreline Management Plan

Dear Corps of Engineers Decision Makers,

I am deeply concerned about the drastic changes that are being proposed in your draft Shoreline Management Plan for Table Rock Lake. The community has been very clear in thousands of public comments submitted that we are opposed to over-regulation. We've asked many times for NO CHANGE to be made to the Plan, but there are several items of major concern:

- I object to the carrying capacity as it limits the right to use the lake.
- I object to tighter restrictions placed upon vegetative management permits.
- I object to the new non-transferable grandfathered vegetative management permit rule.
- I object to financial hardships of removing electricity from the lake.
- I object to only one request every five years for dock modification.
- I object to the 8' depth requirement for any new docks.

I would ask that the Shoreline Management Plan NOT be changed. At the very least, please do not allow the changes noted above to go into effect. It would have a devastating economic impact and would be detrimental to the public's right to use and enjoy our lake.

I have additional concerns regarding the restrictions of golf cart and or small ATV being unable to enter the Corp Line. Table Rock area is heavily populated by retired and or elderly individuals. Even the youth of our area find it difficult to walk these paths and hills of ours without injury. Please reconsider the

20170825_Smith_K-WA

language used restricting access to our docks. An individual may be unable to walk to their docks but not be considered disabled. Thank you for your consideration.

I am encouraged that the public's comments during the process have been acknowledged by the Corps. Thank you for listening. Please continue to help us protect our rights to use and enjoy our beautiful lake.

Sincerely,

Kenneth Smith

From: CESWL-Table Rock Shoreline Management Plan Update <CESWL-TableRockShorelineManagementPlanUpdate@usace.army.mil>
Sent: Friday, August 25, 2017 10:39 AM
To: Murphy, Gina L.
Subject: FW: [Non-DoD Source] Table Rock Lake Shoreline Management Plan

-----Original Message-----

From: Thomas Stallings [<mailto:tomstallings@centurytel.net>]
Sent: Friday, August 25, 2017 7:04 AM
To: CESWL-Table Rock Shoreline Management Plan Update <CESWL-TableRockShorelineManagementPlanUpdate@usace.army.mil>; savetablerock@gmail.com
Subject: [Non-DoD Source] Table Rock Lake Shoreline Management Plan

TO: Corps of Engineers Decision Makers

FROM: Thomas Stallings

RE: Table Rock Lake Shoreline Management Plan

Dear Corps of Engineers Decision Makers,

I am deeply concerned about the drastic changes that are being proposed in your draft Shoreline Management Plan for Table Rock Lake. The community has been very clear in thousands of public comments submitted that we are opposed to over-regulation. We've asked many times for NO CHANGE to be made to the Plan, but there are several items of major concern:

- I object to the carrying capacity as it limits the right to use the lake.
- I object to tighter restrictions placed upon vegetative management permits.
- I object to the new non-transferable grandfathered vegetative management permit rule.
- I object to financial hardships of removing electricity from the lake.
- I object to only one request every five years for dock modification.
- I object to the 8' depth requirement for any new docks.

I would ask that the Shoreline Management Plan NOT be changed. At the very least, please do not allow the changes noted above to go into effect. It would have a devastating economic impact and would be detrimental to the public's right to use and enjoy our lake.

I am encouraged that the public's comments during the process have been acknowledged by the Corps. Thank you for listening. Please continue to help us protect our rights to use and enjoy our beautiful lake.

Sincerely,

20170825_Stallings_T-W

Thomas Stallings

From: CESWL-Table Rock Shoreline Management Plan Update <CESWL-TableRockShorelineManagementPlanUpdate@usace.army.mil>
Sent: Friday, August 25, 2017 10:41 AM
To: Murphy, Gina L.
Subject: FW: [Non-DoD Source] Table Rock Lake Shoreline Management Plan

-----Original Message-----

From: Linda Stillings [<mailto:ljstillings@hotmail.com>]
Sent: Friday, August 25, 2017 9:25 AM
To: CESWL-Table Rock Shoreline Management Plan Update <CESWL-TableRockShorelineManagementPlanUpdate@usace.army.mil>; savetablerock@gmail.com
Subject: [Non-DoD Source] Table Rock Lake Shoreline Management Plan

TO: Corps of Engineers Decision Makers

FROM: Linda Stillings

RE: Table Rock Lake Shoreline Management Plan

Dear Corps of Engineers Decision Makers,

I am deeply concerned about the drastic changes that are being proposed in your draft Shoreline Management Plan for Table Rock Lake. The community has been very clear in thousands of public comments submitted that we are opposed to over-regulation. We've asked many times for NO CHANGE to be made to the Plan, but there are several items of major concern:

- I object to the carrying capacity as it limits the right to use the lake.
- I object to tighter restrictions placed upon vegetative management permits.
- I object to the new non-transferable grandfathered vegetative management permit rule.
- I object to financial hardships of removing electricity from the lake.
- I object to only one request every five years for dock modification.
- I object to the 8' depth requirement for any new docks.

I would ask that the Shoreline Management Plan NOT be changed. At the very least, please do not allow the changes noted above to go into effect. It would have a devastating economic impact and would be detrimental to the public's right to use and enjoy our lake.

The lakes are fine. The shoreline is just fine. No need to fix if not broken.

I am encouraged that the public's comments during the process have been acknowledged by the Corps. Thank you for listening. Please continue to help us protect our rights to use and enjoy our beautiful lake.

20170825_Stillings_L-W

Sincerely,

Linda Stillings

From: CESWL-Table Rock Shoreline Management Plan Update <CESWL-TableRockShorelineManagementPlanUpdate@usace.army.mil>
Sent: Friday, August 25, 2017 10:38 AM
To: Murphy, Gina L.
Subject: FW: [Non-DoD Source] Table Rock Lake Shoreline Management Plan

-----Original Message-----

From: Connie`Streckfuss [<mailto:connie-greer@sbcglobal.net>]
Sent: Friday, August 25, 2017 4:44 AM
To: CESWL-Table Rock Shoreline Management Plan Update <CESWL-TableRockShorelineManagementPlanUpdate@usace.army.mil>; savetablerock@gmail.com
Subject: [Non-DoD Source] Table Rock Lake Shoreline Management Plan

TO: Corps of Engineers Decision Makers

FROM: Connie Streckfuss

RE: Table Rock Lake Shoreline Management Plan

Dear Corps of Engineers Decision Makers,

I am deeply concerned about the drastic changes that are being proposed in your draft Shoreline Management Plan for Table Rock Lake. The community has been very clear in thousands of public comments submitted that we are opposed to over-regulation. We've asked many times for NO CHANGE to be made to the Plan, but there are several items of major concern:

- I object to the carrying capacity as it limits the right to use the lake.
- I object to tighter restrictions placed upon vegetative management permits.
- I object to the new non-transferable grandfathered vegetative management permit rule.
- I object to financial hardships of removing electricity from the lake.
- I object to only one request every five years for dock modification.
- I object to the 8' depth requirement for any new docks.

I would ask that the Shoreline Management Plan NOT be changed. At the very least, please do not allow the changes noted above to go into effect. It would have a devastating economic impact and would be detrimental to the public's right to use and enjoy our lake.

I'm at the lake several times a year I don't want to make trips down there to discover capacity it at a maximum and I cannot enjoy my time on the water.

Also these changes put a huge financial burden on average people.

20170825_Streckfuss_C-WA

I am encouraged that the public's comments during the process have been acknowledged by the Corps. Thank you for listening. Please continue to help us protect our rights to use and enjoy our beautiful lake.

Sincerely,

Connie Streckfuss

From: CESWL-Table Rock Shoreline Management Plan Update <CESWL-TableRockShorelineManagementPlanUpdate@usace.army.mil>
Sent: Tuesday, August 29, 2017 8:15 AM
To: Murphy, Gina L.
Subject: FW: [EXTERNAL] Table Rock Lake Shoreline Management Plan

-----Original Message-----

From: Denise `Sundvold [<mailto:sunisbo@msn.com>]
Sent: Friday, August 25, 2017 8:05 PM
To: CESWL-Table Rock Shoreline Management Plan Update <CESWL-TableRockShorelineManagementPlanUpdate@usace.army.mil>; savetablerock@gmail.com
Subject: [EXTERNAL] Table Rock Lake Shoreline Management Plan

TO: Corps of Engineers Decision Makers

FROM: Denise Sundvold

RE: Table Rock Lake Shoreline Management Plan

Dear Corps of Engineers Decision Makers,

I am deeply concerned about the drastic changes that are being proposed in your draft Shoreline Management Plan for Table Rock Lake. The community has been very clear in thousands of public comments submitted that we are opposed to over-regulation. We've asked many times for NO CHANGE to be made to the Plan, but there are several items of major concern:

- I object to the carrying capacity as it limits the right to use the lake.
- I object to tighter restrictions placed upon vegetative management permits.
- I object to the new non-transferable grandfathered vegetative management permit rule.
- I object to financial hardships of removing electricity from the lake.
- I object to only one request every five years for dock modification.
- I object to the 8' depth requirement for any new docks.

I would ask that the Shoreline Management Plan NOT be changed. At the very least, please do not allow the changes noted above to go into effect. It would have a devastating economic impact and would be detrimental to the public's right to use and enjoy our lake.

I am encouraged that the public's comments during the process have been acknowledged by the Corps. Thank you for listening. Please continue to help us protect our rights to use and enjoy our beautiful lake.

Sincerely,

20170825_Sundvold_D-W

Denise Sundvold

From: CESWL-Table Rock Shoreline Management Plan Update <CESWL-TableRockShorelineManagementPlanUpdate@usace.army.mil>
Sent: Tuesday, August 29, 2017 8:09 AM
To: Murphy, Gina L.
Subject: FW: [Non-DoD Source] Table Rock Lake Shoreline Management Plan

-----Original Message-----

From: BEVERLY TALBERT [<mailto:bevtalbert48@yahoo.com>]
Sent: Friday, August 25, 2017 12:40 PM
To: CESWL-Table Rock Shoreline Management Plan Update <CESWL-TableRockShorelineManagementPlanUpdate@usace.army.mil>; savetablerock@gmail.com
Subject: [Non-DoD Source] Table Rock Lake Shoreline Management Plan

TO: Corps of Engineers Decision Makers

FROM: BEVERLY TALBERT

RE: Table Rock Lake Shoreline Management Plan

Dear Corps of Engineers Decision Makers,

I am deeply concerned about the drastic changes that are being proposed in your draft Shoreline Management Plan for Table Rock Lake. The community has been very clear in thousands of public comments submitted that we are opposed to over-regulation. We've asked many times for NO CHANGE to be made to the Plan, but there are several items of major concern:

- I object to the carrying capacity as it limits the right to use the lake.
- I object to tighter restrictions placed upon vegetative management permits.
- I object to the new non-transferable grandfathered vegetative management permit rule.
- I object to financial hardships of removing electricity from the lake.
- I object to only one request every five years for dock modification.
- I object to the 8' depth requirement for any new docks.

I would ask that the Shoreline Management Plan NOT be changed. At the very least, please do not allow the changes noted above to go into effect. It would have a devastating economic impact and would be detrimental to the public's right to use and enjoy our lake.

Please do not enforce these rules. It will ruin the use of the lake for residents and visitors alike. Also many people would not be able to afford these changes and they are much too stringent. We love our lake the way it is and is so much better than Lake of the Ozarks. There are enough rules as it is. Everyone loves our Table Rock Lake the way it is without more forced changes. Thank-you!

20170825_Talbert_B-WA

I am encouraged that the public's comments during the process have been acknowledged by the Corps. Thank you for listening. Please continue to help us protect our rights to use and enjoy our beautiful lake.

Sincerely,

BEVERLY TALBERT

From: CESWL-Table Rock Shoreline Management Plan Update <CESWL-TableRockShorelineManagementPlanUpdate@usace.army.mil>
Sent: Friday, August 25, 2017 10:39 AM
To: Murphy, Gina L.
Subject: FW: [Non-DoD Source] Table Rock Lake Shoreline Management Plan

-----Original Message-----

From: RONALD `TRESNAK [<mailto:CAPTAINRON7777777@YAHOO.COM>]
Sent: Friday, August 25, 2017 7:28 AM
To: CESWL-Table Rock Shoreline Management Plan Update <CESWL-TableRockShorelineManagementPlanUpdate@usace.army.mil>; savetablerock@gmail.com
Subject: [Non-DoD Source] Table Rock Lake Shoreline Management Plan

TO: Corps of Engineers Decision Makers

FROM: RONALD TRESNAK

RE: Table Rock Lake Shoreline Management Plan

Dear Corps of Engineers Decision Makers,

I am deeply concerned about the drastic changes that are being proposed in your draft Shoreline Management Plan for Table Rock Lake. The community has been very clear in thousands of public comments submitted that we are opposed to over-regulation. We've asked many times for NO CHANGE to be made to the Plan, but there are several items of major concern:

- I object to the carrying capacity as it limits the right to use the lake.
- I object to tighter restrictions placed upon vegetative management permits.
- I object to the new non-transferable grandfathered vegetative management permit rule.
- I object to financial hardships of removing electricity from the lake.
- I object to only one request every five years for dock modification.
- I object to the 8' depth requirement for any new docks.

I would ask that the Shoreline Management Plan NOT be changed. At the very least, please do not allow the changes noted above to go into effect. It would have a devastating economic impact and would be detrimental to the public's right to use and enjoy our lake.

What the Corp of Engineers needs to remember is the tax paid for this project and the tax payers should have their interests be recognized

20170825_Tresnak_R-WA

I am encouraged that the public's comments during the process have been acknowledged by the Corps. Thank you for listening. Please continue to help us protect our rights to use and enjoy our beautiful lake.

Sincerely,

RONALD TRESNAK

From: CESWL-Table Rock Shoreline Management Plan Update <CESWL-TableRockShorelineManagementPlanUpdate@usace.army.mil>
Sent: Tuesday, August 29, 2017 8:12 AM
To: Murphy, Gina L.
Subject: FW: [EXTERNAL] Table Rock Lake Shoreline Management Plan

-----Original Message-----

From: Sam`Unerstall [<mailto:sam.unerstall@gmail.com>]
Sent: Friday, August 25, 2017 4:25 PM
To: CESWL-Table Rock Shoreline Management Plan Update <CESWL-TableRockShorelineManagementPlanUpdate@usace.army.mil>; savetablerock@gmail.com
Subject: [EXTERNAL] Table Rock Lake Shoreline Management Plan

TO: Corps of Engineers Decision Makers

FROM: Sam Unerstall

RE: Table Rock Lake Shoreline Management Plan

Dear Corps of Engineers Decision Makers,

I am deeply concerned about the drastic changes that are being proposed in your draft Shoreline Management Plan for Table Rock Lake. The community has been very clear in thousands of public comments submitted that we are opposed to over-regulation. We've asked many times for NO CHANGE to be made to the Plan, but there are several items of major concern:

- I object to the carrying capacity as it limits the right to use the lake.
- I object to tighter restrictions placed upon vegetative management permits.
- I object to the new non-transferable grandfathered vegetative management permit rule.
- I object to financial hardships of removing electricity from the lake.
- I object to only one request every five years for dock modification.
- I object to the 8' depth requirement for any new docks.

I would ask that the Shoreline Management Plan NOT be changed. At the very least, please do not allow the changes noted above to go into effect. It would have a devastating economic impact and would be detrimental to the public's right to use and enjoy our lake.

I am encouraged that the public's comments during the process have been acknowledged by the Corps. Thank you for listening. Please continue to help us protect our rights to use and enjoy our beautiful lake.

Sincerely,

20170825_Unerstall_S-W

Sam Uerstall

From: CESWL-Table Rock Shoreline Management Plan Update <CESWL-TableRockShorelineManagementPlanUpdate@usace.army.mil>
Sent: Friday, August 25, 2017 10:40 AM
To: Murphy, Gina L.
Subject: FW: [Non-DoD Source] Table Rock Lake Shoreline Management Plan

-----Original Message-----

From: James`Van Natta [<mailto:JEVSkeeter@yahoo.com>]
Sent: Friday, August 25, 2017 8:32 AM
To: CESWL-Table Rock Shoreline Management Plan Update <CESWL-TableRockShorelineManagementPlanUpdate@usace.army.mil>; savetablerock@gmail.com
Subject: [Non-DoD Source] Table Rock Lake Shoreline Management Plan

TO: Corps of Engineers Decision Makers

FROM: James Van Natta

RE: Table Rock Lake Shoreline Management Plan

Dear Corps of Engineers Decision Makers,

I am deeply concerned about the drastic changes that are being proposed in your draft Shoreline Management Plan for Table Rock Lake. The community has been very clear in thousands of public comments submitted that we are opposed to over-regulation. We've asked many times for NO CHANGE to be made to the Plan, but there are several items of major concern:

- I object to the carrying capacity as it limits the right to use the lake.
- I object to tighter restrictions placed upon vegetative management permits.
- I object to the new non-transferable grandfathered vegetative management permit rule.
- I object to financial hardships of removing electricity from the lake.
- I object to only one request every five years for dock modification.
- I object to the 8' depth requirement for any new docks.

I would ask that the Shoreline Management Plan NOT be changed. At the very least, please do not allow the changes noted above to go into effect. It would have a devastating economic impact and would be detrimental to the public's right to use and enjoy our lake.

Let's not turn our Table Rock Lake into another Lake of the Ozarks by allowing the larger boats, removing no wake buoys and allowing larger boat docks. The government is failing those of us who use this resource again.

20170825_Van Natta_J-WA

I am encouraged that the public's comments during the process have been acknowledged by the Corps. Thank you for listening. Please continue to help us protect our rights to use and enjoy our beautiful lake.

Sincerely,

James Van Natta

From: CESWL-Table Rock Shoreline Management Plan Update <CESWL-TableRockShorelineManagementPlanUpdate@usace.army.mil>
Sent: Tuesday, August 29, 2017 8:13 AM
To: Murphy, Gina L.
Subject: FW: [EXTERNAL] Table Rock Lake Shoreline Management Plan

-----Original Message-----

From: Gary Vandiver [<mailto:gvandvr@earthlink.net>]
Sent: Friday, August 25, 2017 3:53 PM
To: CESWL-Table Rock Shoreline Management Plan Update <CESWL-TableRockShorelineManagementPlanUpdate@usace.army.mil>; savetablerock@gmail.com
Subject: [EXTERNAL] Table Rock Lake Shoreline Management Plan

TO: Corps of Engineers Decision Makers

FROM: Gary Vandiver

RE: Table Rock Lake Shoreline Management Plan

Dear Corps of Engineers Decision Makers,

I am deeply concerned about the drastic changes that are being proposed in your draft Shoreline Management Plan for Table Rock Lake. The community has been very clear in thousands of public comments submitted that we are opposed to over-regulation. We've asked many times for NO CHANGE to be made to the Plan, but there are several items of major concern:

- I object to the carrying capacity as it limits the right to use the lake.
- I object to tighter restrictions placed upon vegetative management permits.
- I object to the new non-transferable grandfathered vegetative management permit rule.
- I object to financial hardships of removing electricity from the lake.
- I object to only one request every five years for dock modification.
- I object to the 8' depth requirement for any new docks.

I would ask that the Shoreline Management Plan NOT be changed. At the very least, please do not allow the changes noted above to go into effect. It would have a devastating economic impact and would be detrimental to the public's right to use and enjoy our lake.

I am encouraged that the public's comments during the process have been acknowledged by the Corps. Thank you for listening. Please continue to help us protect our rights to use and enjoy our beautiful lake.

Sincerely,

20170825_Vandiver_G-W

Gary Vandiver

From: CESWL-Table Rock Shoreline Management Plan Update <CESWL-TableRockShorelineManagementPlanUpdate@usace.army.mil>
Sent: Tuesday, August 29, 2017 8:13 AM
To: Murphy, Gina L.
Subject: FW: [EXTERNAL] Table Rock Lake Shoreline Management Plan

-----Original Message-----

From: Bill Vincent [<mailto:bvinc37@gmail.com>]
Sent: Friday, August 25, 2017 4:49 PM
To: CESWL-Table Rock Shoreline Management Plan Update <CESWL-TableRockShorelineManagementPlanUpdate@usace.army.mil>; savetablerock@gmail.com
Subject: [EXTERNAL] Table Rock Lake Shoreline Management Plan

TO: Corps of Engineers Decision Makers

FROM: Bill Vincent

RE: Table Rock Lake Shoreline Management Plan

Dear Corps of Engineers Decision Makers,

I am deeply concerned about the drastic changes that are being proposed in your draft Shoreline Management Plan for Table Rock Lake. The community has been very clear in thousands of public comments submitted that we are opposed to over-regulation. We've asked many times for NO CHANGE to be made to the Plan, but there are several items of major concern:

- I object to the carrying capacity as it limits the right to use the lake.
- I object to tighter restrictions placed upon vegetative management permits.
- I object to the new non-transferable grandfathered vegetative management permit rule.
- I object to financial hardships of removing electricity from the lake.
- I object to only one request every five years for dock modification.
- I object to the 8' depth requirement for any new docks.

I would ask that the Shoreline Management Plan NOT be changed. At the very least, please do not allow the changes noted above to go into effect. It would have a devastating economic impact and would be detrimental to the public's right to use and enjoy our lake.

I am encouraged that the public's comments during the process have been acknowledged by the Corps. Thank you for listening. Please continue to help us protect our rights to use and enjoy our beautiful lake.

Sincerely,

20170825_Vincent_B-W

Bill Vincent

From: CESWL-Table Rock Shoreline Management Plan Update <CESWL-TableRockShorelineManagementPlanUpdate@usace.army.mil>
Sent: Tuesday, August 29, 2017 8:16 AM
To: Murphy, Gina L.
Subject: FW: [EXTERNAL] Table Rock Lake Shoreline Management Plan

-----Original Message-----

From: Donald`Wells [<mailto:don.wls@ymail.com>]
Sent: Friday, August 25, 2017 10:21 PM
To: CESWL-Table Rock Shoreline Management Plan Update <CESWL-TableRockShorelineManagementPlanUpdate@usace.army.mil>; savetablerock@gmail.com
Subject: [EXTERNAL] Table Rock Lake Shoreline Management Plan

TO: Corps of Engineers Decision Makers

FROM: Donald Wells

RE: Table Rock Lake Shoreline Management Plan

Dear Corps of Engineers Decision Makers,

I am deeply concerned about the drastic changes that are being proposed in your draft Shoreline Management Plan for Table Rock Lake. The community has been very clear in thousands of public comments submitted that we are opposed to over-regulation. We've asked many times for NO CHANGE to be made to the Plan, but there are several items of major concern:

- I object to the carrying capacity as it limits the right to use the lake.
- I object to tighter restrictions placed upon vegetative management permits.
- I object to the new non-transferable grandfathered vegetative management permit rule.
- I object to financial hardships of removing electricity from the lake.
- I object to only one request every five years for dock modification.
- I object to the 8' depth requirement for any new docks.

I would ask that the Shoreline Management Plan NOT be changed. At the very least, please do not allow the changes noted above to go into effect. It would have a devastating economic impact and would be detrimental to the public's right to use and enjoy our lake.

Its already over managed and difficult to do basic maintenance. These regulations would create unnecessary financial burdens on property owners and will decrease property value and interest in lake side property. We are about to get our place paid off finally, and now the value will drop., as people will want to go to another less regulated lake. Solar power conversion would be another unnecessary

20170825_Wells_D-WA

expense. Solar won't produce enough power regularly to power our boat lifts, and the panels are an eye sore. My neighbor put solar on dock and the Corps. Made him remove it. Doesn't even make sense. It didn't work well for his electric needs anyway. We can only hope that our voices are heard and these changes are not put in place. Ultimately we are the ones paying for it and living with the burden. The people making these rules seem to have nothing better to do than create unreasonable burdens on people trying to enjoy life.

I am encouraged that the public's comments during the process have been acknowledged by the Corps. Thank you for listening. Please continue to help us protect our rights to use and enjoy our beautiful lake.

Sincerely,

Donald Wells

Wildflower Homeowners' Association



Little Aunt's Creek Road, Kimberling City, MO
65686

August 25, 2017

Dear Table Rock Lake SMP/MP/EA Project Manager,

Thank you for the opportunity to provide comments and feedback from the community of Table Rock Lake regarding the SMP. Conversations...not just top-down communication is always the correct way to positively effect change. The purpose of this letter is to provide feedback from the residents of the Wildflower Subdivision as a unified voice. Speaking into this voice are nearly forty concerned citizens who invest in the current and future health and finances in our collective community.

1. Regarding the requirement of docks to have alternative power sources: To our knowledge there have been no publicly announced incidences of electrocution on Table Rock Lake due to available electricity on docks. All the slip owners in the Wildflower Subdivision are middle class working families or retired persons. The initial investment of \$20,000-\$30,000 to convert to solar power and the annual increase in required insurance will be of such a burden, many will be forced to sell their investments. Our dock is approximately 20 years old and was not originally designed for a solar retrofit. Consequently, the solar panels will add a weight that will require additional roof and floatation supports. In the event of snowfall, the added solar panel weight will create a potential serious hazard to property and personnel. So many of our slip owners are senior citizens. We also have visiting small children on a regular basis. We have railings on our main walkways to increase safety for all. But the necessary space for batteries and spill containment on the main walkway and finger walkways will decrease walking space and create a narrower, unsafe passageway. We

understand that alternative power sources will be allowed such as portable generators, however, they cannot be stored on the docks. It is completely impractical to think that ANYONE could transport, on a daily basis, a portable generator capable of lifting a 20-28 foot boats on the dock... considering the journey would begin 200+ feet from the take line to the dock ON FOOT! The Corps of Engineers would most certainly be faced with accepting responsibility for injuries caused by this attempt as well as the ethical reflection question of age and mobility discrimination.

A much more reasonable solution would be that the primary power cable be protected by a GFI breaker and be inspected bi-annually.

2. Regarding No Wake Buoys being removed by December 31, 2020: Unless the entire Little Aunts Creek and all other coves on Table Rock Lake would be designated as a "No Wake Zone", the No Wake Buoy is the only way we can protect the safety of the residents and visitors on our docks and in the lake. Our children and grandchildren must be able to swim safely near the docks without fear of being run over by boaters. Buoys provide water craft operators with a visible boundary for safe maneuvering and the proper identification of the channel. The Corp of Engineers mentioned that it was difficult to enforce the 100-foot distance from the end of the dock requirement. The buoy placed at 100-foot during normal pool will drift based on the level of the lake and the current created by electricity generation. There are no adjustments made to the buoys at Oswald Bluff between points 9 and 10 indicating that hazard as the lake level rises and falls. Why would it make sense to penalize the community and private dock owners when the Corps of Engineers itself does not adjust hazard buoys?

Proper permitting of appropriate locations for buoys remains the best solution.

3. Regarding golf cart usage: The permit program to allow dock access below the take line has been suspended because NO permits were issued while the program was in place. The grade to our dock exceeds the ADA minimum allowed for paving the pathway. So, if the program was active, we would not be eligible. Although many of our slip owners are not considered legally disabled, our sense of balance and confidence has diminished with age and being forced to traverse this grade from the take line to the dock at normal pool on gravel

and/or mulch is a safety hazard. It is unreasonable to think that the only people able to comfortably and safely access their docks and enjoy their recreational right are those paying fees to commercial marinas. Many people would simply have to forfeit ever enjoying our beautiful lake.

The use of a golf cart to traverse the 200+ feet from the take line to the dock would be considered a reasonable accommodation under ADA for all persons.

4. Regarding commercial docks vs. private and community docks: There is simply no reasonable response to this issue other than, **ALL DOCKS SHOULD BE TREATED ALIKE!** This is a true form of discrimination and playing to the special interest.

Existing private and community docks should be grandfathered. If not, commercial docks should be required to become solar as well and be required to respect the take line and the accessibility requirements. No customer/consumer should be treated with bias.

5. Regarding dock closets:
Fishing equipment, water skies, ropes, nets, etc. are housed in these dock closets neatly and safely. So, if a slip owner cannot drive their golf cart to the dock they must carry their skies, fishing poles, bait, life jackets, towels, sunscreen, coolers, picnic baskets, first aid kits, tackle boxes, phones, radios **AND THEIR PORTABLE GENERATOR** from the 200-foot take line down a gravel/mulch path to the dock. Then all that stuff must sit out on the dock while they are enjoying the lake therefore increasing the unsafe environment of the dock, along with the possibility of having multiple items falling into the bottom of our clear, beautiful lake. All the remaining personal items must then be carried back up the 200+ foot steep incline multiple times to the location where their vehicle/cart are parked, individuals will become exhausted increasing the possibility of personal injuries.

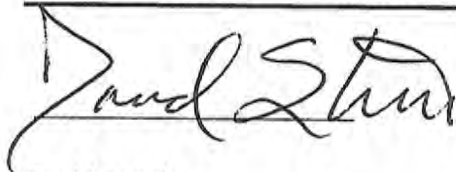
As Owners of the dock slips, boats and dock closets, the Wildflower Homeowners' Association does not feel that the Corp of Engineers should be able to dictate the contents of items that are stored in the dock closets which would be considered personal property.

Table Rock Lake is one of the most beautiful bodies of water in the Missouri. It has remained that way due to strict and appropriate stewardship. But it is most certainly attractive to many and therefore an enormous economic engine for the State of Missouri because it is appropriately accessible.

Please listen to all the concerns and comments pertaining to Table Rock Lake SMP. We are all in this together and working together is the only way to protect our treasure.

Warm regards,
Wildflower Homeowners' Association

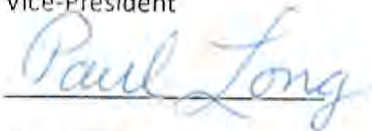
Wildflower Association Officers:



David Strack
President & Dock Master #2



Joel Hirsh
Vice-President



Paul Long
Secretary



Robert Hunt
Treasure & Dock Master #1

From: CESWL-Table Rock Shoreline Management Plan Update <CESWL-TableRockShorelineManagementPlanUpdate@usace.army.mil>
Sent: Tuesday, August 29, 2017 8:13 AM
To: Murphy, Gina L.
Subject: FW: [EXTERNAL] Table Rock Lake Shoreline Management Plan

-----Original Message-----

From: Steven`Wilkey [<mailto:swilkey70058@gmail.com>]
Sent: Friday, August 25, 2017 5:47 PM
To: CESWL-Table Rock Shoreline Management Plan Update <CESWL-TableRockShorelineManagementPlanUpdate@usace.army.mil>; savetablerock@gmail.com
Subject: [EXTERNAL] Table Rock Lake Shoreline Management Plan

TO: Corps of Engineers Decision Makers

FROM: Steven Wilkey

RE: Table Rock Lake Shoreline Management Plan

Dear Corps of Engineers Decision Makers,

I am deeply concerned about the drastic changes that are being proposed in your draft Shoreline Management Plan for Table Rock Lake. The community has been very clear in thousands of public comments submitted that we are opposed to over-regulation. We've asked many times for NO CHANGE to be made to the Plan, but there are several items of major concern:

- I object to the carrying capacity as it limits the right to use the lake.
- I object to tighter restrictions placed upon vegetative management permits.
- I object to the new non-transferable grandfathered vegetative management permit rule.
- I object to financial hardships of removing electricity from the lake.
- I object to only one request every five years for dock modification.
- I object to the 8' depth requirement for any new docks.

I would ask that the Shoreline Management Plan NOT be changed. At the very least, please do not allow the changes noted above to go into effect. It would have a devastating economic impact and would be detrimental to the public's right to use and enjoy our lake.

I would believe the area would lose to much commerce and trade not only to the local but the Corps of Engineers as well.

20170825_Wilkey_S-WA

I am encouraged that the public's comments during the process have been acknowledged by the Corps. Thank you for listening. Please continue to help us protect our rights to use and enjoy our beautiful lake.

Sincerely,

Steven Wilkey

From: CESWL-Table Rock Shoreline Management Plan Update <CESWL-TableRockShorelineManagementPlanUpdate@usace.army.mil>
Sent: Friday, August 25, 2017 10:39 AM
To: Murphy, Gina L.
Subject: FW: [Non-DoD Source] Table Rock Lake Shoreline Management Plan

-----Original Message-----

From: MICHELLE WILLIAMS [<mailto:mjwills1970@gmail.com>]
Sent: Friday, August 25, 2017 7:19 AM
To: CESWL-Table Rock Shoreline Management Plan Update <CESWL-TableRockShorelineManagementPlanUpdate@usace.army.mil>; savetablerock@gmail.com
Subject: [Non-DoD Source] Table Rock Lake Shoreline Management Plan

TO: Corps of Engineers Decision Makers

FROM: MICHELLE WILLIAMS

RE: Table Rock Lake Shoreline Management Plan

Dear Corps of Engineers Decision Makers,

I am deeply concerned about the drastic changes that are being proposed in your draft Shoreline Management Plan for Table Rock Lake. The community has been very clear in thousands of public comments submitted that we are opposed to over-regulation. We've asked many times for NO CHANGE to be made to the Plan, but there are several items of major concern:

- I object to the carrying capacity as it limits the right to use the lake.
- I object to tighter restrictions placed upon vegetative management permits.
- I object to the new non-transferable grandfathered vegetative management permit rule.
- I object to financial hardships of removing electricity from the lake.
- I object to only one request every five years for dock modification.
- I object to the 8' depth requirement for any new docks.

I would ask that the Shoreline Management Plan NOT be changed. At the very least, please do not allow the changes noted above to go into effect. It would have a devastating economic impact and would be detrimental to the public's right to use and enjoy our lake.

I am encouraged that the public's comments during the process have been acknowledged by the Corps. Thank you for listening. Please continue to help us protect our rights to use and enjoy our beautiful lake.

Sincerely,

20170825_Williams_M-W

MICHELLE WILLIAMS

From: CESWL-Table Rock Shoreline Management Plan Update <CESWL-TableRockShorelineManagementPlanUpdate@usace.army.mil>
Sent: Friday, August 25, 2017 10:40 AM
To: Murphy, Gina L.
Subject: FW: [Non-DoD Source] Table Rock Lake Shoreline Management Plan

-----Original Message-----

From: tony`williamson [<mailto:fastony@sbcglobal.net>]
Sent: Friday, August 25, 2017 9:15 AM
To: CESWL-Table Rock Shoreline Management Plan Update <CESWL-TableRockShorelineManagementPlanUpdate@usace.army.mil>; savetablerock@gmail.com
Subject: [Non-DoD Source] Table Rock Lake Shoreline Management Plan

TO: Corps of Engineers Decision Makers

FROM: tony williamson

RE: Table Rock Lake Shoreline Management Plan

Dear Corps of Engineers Decision Makers,

I am deeply concerned about the drastic changes that are being proposed in your draft Shoreline Management Plan for Table Rock Lake. The community has been very clear in thousands of public comments submitted that we are opposed to over-regulation. We've asked many times for NO CHANGE to be made to the Plan, but there are several items of major concern:

- I object to the carrying capacity as it limits the right to use the lake.
- I object to tighter restrictions placed upon vegetative management permits.
- I object to the new non-transferable grandfathered vegetative management permit rule.
- I object to financial hardships of removing electricity from the lake.
- I object to only one request every five years for dock modification.
- I object to the 8' depth requirement for any new docks.

I would ask that the Shoreline Management Plan NOT be changed. At the very least, please do not allow the changes noted above to go into effect. It would have a devastating economic impact and would be detrimental to the public's right to use and enjoy our lake.

I am encouraged that the public's comments during the process have been acknowledged by the Corps. Thank you for listening. Please continue to help us protect our rights to use and enjoy our beautiful lake.

Sincerely,

20170825_Williamson_T-W

tony williamson

From: CESWL-Table Rock Shoreline Management Plan Update <CESWL-TableRockShorelineManagementPlanUpdate@usace.army.mil>
Sent: Tuesday, August 29, 2017 8:10 AM
To: Murphy, Gina L.
Subject: FW: [Non-DoD Source] Table Rock Lake Shoreline Management Plan

-----Original Message-----

From: Jennifer Woods [<mailto:jenniferwoods1716@gmail.com>]
Sent: Friday, August 25, 2017 1:18 PM
To: CESWL-Table Rock Shoreline Management Plan Update <CESWL-TableRockShorelineManagementPlanUpdate@usace.army.mil>; savetablerock@gmail.com
Subject: [Non-DoD Source] Table Rock Lake Shoreline Management Plan

TO: Corps of Engineers Decision Makers

FROM: Jennifer Woods

RE: Table Rock Lake Shoreline Management Plan

Dear Corps of Engineers Decision Makers,

I am deeply concerned about the drastic changes that are being proposed in your draft Shoreline Management Plan for Table Rock Lake. The community has been very clear in thousands of public comments submitted that we are opposed to over-regulation. We've asked many times for NO CHANGE to be made to the Plan, but there are several items of major concern:

- I object to the carrying capacity as it limits the right to use the lake.
- I object to tighter restrictions placed upon vegetative management permits.
- I object to the new non-transferable grandfathered vegetative management permit rule.
- I object to financial hardships of removing electricity from the lake.
- I object to only one request every five years for dock modification.
- I object to the 8' depth requirement for any new docks.

I would ask that the Shoreline Management Plan NOT be changed. At the very least, please do not allow the changes noted above to go into effect. It would have a devastating economic impact and would be detrimental to the public's right to use and enjoy our lake.

Please do not change something that is working just fine! I have lived here my entire life and my family frequents Table Rock Lake very often so our family asks that you please NOT make these changes.

Thank you!

20170825_Woods_J-WA

I am encouraged that the public's comments during the process have been acknowledged by the Corps. Thank you for listening. Please continue to help us protect our rights to use and enjoy our beautiful lake.

Sincerely,

Jennifer Woods

From: CESWL-Table Rock Shoreline Management Plan Update <CESWL-TableRockShorelineManagementPlanUpdate@usace.army.mil>
Sent: Friday, August 25, 2017 10:39 AM
To: Murphy, Gina L.
Subject: FW: [Non-DoD Source] Table Rock Lake Shoreline Management Plan

-----Original Message-----

From: Mendi Wormington [<mailto:mendiwormington@gmail.com>]
Sent: Friday, August 25, 2017 7:51 AM
To: CESWL-Table Rock Shoreline Management Plan Update <CESWL-TableRockShorelineManagementPlanUpdate@usace.army.mil>; savetablerock@gmail.com
Subject: [Non-DoD Source] Table Rock Lake Shoreline Management Plan

TO: Corps of Engineers Decision Makers

FROM: Mendi Wormington

RE: Table Rock Lake Shoreline Management Plan

Dear Corps of Engineers Decision Makers,

I am deeply concerned about the drastic changes that are being proposed in your draft Shoreline Management Plan for Table Rock Lake. The community has been very clear in thousands of public comments submitted that we are opposed to over-regulation. We've asked many times for NO CHANGE to be made to the Plan, but there are several items of major concern:

- I object to the carrying capacity as it limits the right to use the lake.
- I object to tighter restrictions placed upon vegetative management permits.
- I object to the new non-transferable grandfathered vegetative management permit rule.
- I object to financial hardships of removing electricity from the lake.
- I object to only one request every five years for dock modification.
- I object to the 8' depth requirement for any new docks.

I would ask that the Shoreline Management Plan NOT be changed. At the very least, please do not allow the changes noted above to go into effect. It would have a devastating economic impact and would be detrimental to the public's right to use and enjoy our lake.

I am encouraged that the public's comments during the process have been acknowledged by the Corps. Thank you for listening. Please continue to help us protect our rights to use and enjoy our beautiful lake.

Sincerely,

20170825_Wormington_M-W

Mendi Wormington

From: CESWL-Table Rock Shoreline Management Plan Update <CESWL-TableRockShorelineManagementPlanUpdate@usace.army.mil>
Sent: Tuesday, August 29, 2017 8:14 AM
To: Murphy, Gina L.
Subject: FW: [EXTERNAL] Concerned resident
Attachments: 4545.pdf

-----Original Message-----

From: Jane Ybarra [<mailto:janeybarra55@yahoo.com>]
Sent: Friday, August 25, 2017 6:12 PM
To: CESWL-Table Rock Shoreline Management Plan Update <CESWL-TableRockShorelineManagementPlanUpdate@usace.army.mil>
Subject: [EXTERNAL] Concerned resident

To whom it may concern,

We moved to the table rock area 1996 and have enjoyed this lovely Lake. In 2010 our community dock go destroyed from a tornado so it was rebuilt replying to rules and regulations. It is a beautiful dock, we never leave anything laying around and try to keep the surrounding area with a natural look.

If it wasn't for the no-wake buoys many accidents would occur and as for the maintenance on the buoys we have replaced it 3 or 4 times and always at regular distant's from the dock..

The biggest concern is the solar power, how in the world would we pay for that and why would we have a boat if we can only use it certain days..

Thank-you for this opportunity,
Fred and Jane Ybarra

Sent from my iPad

20170825_Ybarra_F&J

From: CESWL-Table Rock Shoreline Management Plan Update <CESWL-TableRockShorelineManagementPlanUpdate@usace.army.mil>
Sent: Tuesday, August 29, 2017 8:07 AM
To: Murphy, Gina L.
Subject: FW: [Non-DoD Source] Table Rock Lake Shoreline Management Plan

-----Original Message-----

From: Stephen`Young [<mailto:ssspyoung@aol.com>]
Sent: Friday, August 25, 2017 11:22 AM
To: CESWL-Table Rock Shoreline Management Plan Update <CESWL-TableRockShorelineManagementPlanUpdate@usace.army.mil>; savetablerock@gmail.com
Subject: [Non-DoD Source] Table Rock Lake Shoreline Management Plan

TO: Corps of Engineers Decision Makers

FROM: Stephen Young

RE: Table Rock Lake Shoreline Management Plan

Dear Corps of Engineers Decision Makers,

I am deeply concerned about the drastic changes that are being proposed in your draft Shoreline Management Plan for Table Rock Lake. The community has been very clear in thousands of public comments submitted that we are opposed to over-regulation. We've asked many times for NO CHANGE to be made to the Plan, but there are several items of major concern:

- I object to the carrying capacity as it limits the right to use the lake.
- I object to tighter restrictions placed upon vegetative management permits.
- I object to the new non-transferable grandfathered vegetative management permit rule.
- I object to financial hardships of removing electricity from the lake.
- I object to only one request every five years for dock modification.
- I object to the 8' depth requirement for any new docks.

I would ask that the Shoreline Management Plan NOT be changed. At the very least, please do not allow the changes noted above to go into effect. It would have a devastating economic impact and would be detrimental to the public's right to use and enjoy our lake.

It wasn't that long ago you made me place the electric to the dock underground at a considerable cost to me . Now you want me to tear that out and place solar again wanting me to pay for that. I'm retired now and quite frankly can't afford that. I think you need to consider making all new docks have solar but "Grandfather" all docks that have underground power. If docks have still overhead power make them

20170825_Young_S-WA

use solar. Also outlawing fishing equipment and chairs from the dock and outlawing boats with portapotties and holding tanks is just not feasible. That would cause many of us to have to sell our boats. I THINK THE PLAN IN EFFECT NOW IS REASONABLE AND SHOULD REMAIN AS IS. IT IS A GOOD COMPROMISE AND PLEASES EVERYONE INVOLVED. THANKS FOR YOUR CONSIDERATION.

I am encouraged that the public's comments during the process have been acknowledged by the Corps. Thank you for listening. Please continue to help us protect our rights to use and enjoy our beautiful lake.

Sincerely,

Stephen Young

From: CESWL-Table Rock Shoreline Management Plan Update <CESWL-TableRockShorelineManagementPlanUpdate@usace.army.mil>
Sent: Tuesday, August 29, 2017 8:17 AM
To: Murphy, Gina L.
Subject: FW: [EXTERNAL] Table Rock Lake Shoreline Management Plan

-----Original Message-----

From: Sherry`Angell [<mailto:angell.sherry@gmail.com>]
Sent: Saturday, August 26, 2017 8:37 AM
To: CESWL-Table Rock Shoreline Management Plan Update <CESWL-TableRockShorelineManagementPlanUpdate@usace.army.mil>; savetablerock@gmail.com
Subject: [EXTERNAL] Table Rock Lake Shoreline Management Plan

TO: Corps of Engineers Decision Makers

FROM: Sherry Angell

RE: Table Rock Lake Shoreline Management Plan

Dear Corps of Engineers Decision Makers,

I am deeply concerned about the drastic changes that are being proposed in your draft Shoreline Management Plan for Table Rock Lake. The community has been very clear in thousands of public comments submitted that we are opposed to over-regulation. We've asked many times for NO CHANGE to be made to the Plan, but there are several items of major concern:

- I object to the carrying capacity as it limits the right to use the lake.
- I object to tighter restrictions placed upon vegetative management permits.
- I object to the new non-transferable grandfathered vegetative management permit rule.
- I object to financial hardships of removing electricity from the lake.
- I object to only one request every five years for dock modification.
- I object to the 8' depth requirement for any new docks.

I would ask that the Shoreline Management Plan NOT be changed. At the very least, please do not allow the changes noted above to go into effect. It would have a devastating economic impact and would be detrimental to the public's right to use and enjoy our lake.

Although I understand the idea behind going to wind /solar; the cost to convert & maintain would be a tremendous burden on slip owners. I am completely against the proposal to outlaw " no wake" buoys; as many swim docks are positioned on the end & if there was nothing to slow boaters down; they would "mow" people swimming in the water! It would also cause much wear & tear on the docks.

20170826_Angell_S-WA

I am encouraged that the public's comments during the process have been acknowledged by the Corps. Thank you for listening. Please continue to help us protect our rights to use and enjoy our beautiful lake.

Sincerely,

Sherry Angell

From: CESWL-Table Rock Shoreline Management Plan Update <CESWL-TableRockShorelineManagementPlanUpdate@usace.army.mil>
Sent: Tuesday, August 29, 2017 8:22 AM
To: Murphy, Gina L.
Subject: FW: [EXTERNAL] Table Rock Lake Shoreline Management Plan

-----Original Message-----

From: Robert`Babst Jr [<mailto:rbabst@metalfinishingco.com>]
Sent: Saturday, August 26, 2017 9:44 AM
To: CESWL-Table Rock Shoreline Management Plan Update <CESWL-TableRockShorelineManagementPlanUpdate@usace.army.mil>; savetablerock@gmail.com
Subject: [EXTERNAL] Table Rock Lake Shoreline Management Plan

TO: Corps of Engineers Decision Makers

FROM: Robert Babst Jr

RE: Table Rock Lake Shoreline Management Plan

Dear Corps of Engineers Decision Makers,

I am deeply concerned about the drastic changes that are being proposed in your draft Shoreline Management Plan for Table Rock Lake. The community has been very clear in thousands of public comments submitted that we are opposed to over-regulation. We've asked many times for NO CHANGE to be made to the Plan, but there are several items of major concern:

- I object to the carrying capacity as it limits the right to use the lake.
- I object to tighter restrictions placed upon vegetative management permits.
- I object to the new non-transferable grandfathered vegetative management permit rule.
- I object to financial hardships of removing electricity from the lake.
- I object to only one request every five years for dock modification.
- I object to the 8' depth requirement for any new docks.

I would ask that the Shoreline Management Plan NOT be changed. At the very least, please do not allow the changes noted above to go into effect. It would have a devastating economic impact and would be detrimental to the public's right to use and enjoy our lake.

I am encouraged that the public's comments during the process have been acknowledged by the Corps. Thank you for listening. Please continue to help us protect our rights to use and enjoy our beautiful lake.

Sincerely,

20170826_Babst_R-W

Robert Babst Jr

From: CESWL-Table Rock Shoreline Management Plan Update <CESWL-TableRockShorelineManagementPlanUpdate@usace.army.mil>
Sent: Tuesday, August 29, 2017 8:23 AM
To: Murphy, Gina L.
Subject: FW: [EXTERNAL] Table Rock Lake Shoreline Management Plan

-----Original Message-----

From: Ralph Batenhorst [<mailto:rbatenhorst@cox.net>]
Sent: Saturday, August 26, 2017 11:22 AM
To: CESWL-Table Rock Shoreline Management Plan Update <CESWL-TableRockShorelineManagementPlanUpdate@usace.army.mil>; savetablerock@gmail.com
Subject: [EXTERNAL] Table Rock Lake Shoreline Management Plan

TO: Corps of Engineers Decision Makers

FROM: Ralph Batenhorst

RE: Table Rock Lake Shoreline Management Plan

Dear Corps of Engineers Decision Makers,

I am deeply concerned about the drastic changes that are being proposed in your draft Shoreline Management Plan for Table Rock Lake. The community has been very clear in thousands of public comments submitted that we are opposed to over-regulation. We've asked many times for NO CHANGE to be made to the Plan, but there are several items of major concern:

- I object to the carrying capacity as it limits the right to use the lake.
- I object to tighter restrictions placed upon vegetative management permits.
- I object to the new non-transferable grandfathered vegetative management permit rule.
- I object to financial hardships of removing electricity from the lake.
- I object to only one request every five years for dock modification.
- I object to the 8' depth requirement for any new docks.

I would ask that the Shoreline Management Plan NOT be changed. At the very least, please do not allow the changes noted above to go into effect. It would have a devastating economic impact and would be detrimental to the public's right to use and enjoy our lake.

I am encouraged that the public's comments during the process have been acknowledged by the Corps. Thank you for listening. Please continue to help us protect our rights to use and enjoy our beautiful lake.

Sincerely,

20170826_Batenhorst_R-W

Ralph Batenhorst

From: CESWL-Table Rock Shoreline Management Plan Update <CESWL-TableRockShorelineManagementPlanUpdate@usace.army.mil>
Sent: Tuesday, August 29, 2017 8:27 AM
To: Murphy, Gina L.
Subject: FW: [EXTERNAL] Table Rock Lake Shoreline Management Plan

-----Original Message-----

From: Randy `Brown [<mailto:rbsparky63@yahoo.com>]
Sent: Saturday, August 26, 2017 11:07 PM
To: CESWL-Table Rock Shoreline Management Plan Update <CESWL-TableRockShorelineManagementPlanUpdate@usace.army.mil>; savetablerock@gmail.com
Subject: [EXTERNAL] Table Rock Lake Shoreline Management Plan

TO: Corps of Engineers Decision Makers

FROM: Randy Brown

RE: Table Rock Lake Shoreline Management Plan

Dear Corps of Engineers Decision Makers,

I am deeply concerned about the drastic changes that are being proposed in your draft Shoreline Management Plan for Table Rock Lake. The community has been very clear in thousands of public comments submitted that we are opposed to over-regulation. We've asked many times for NO CHANGE to be made to the Plan, but there are several items of major concern:

- I object to the carrying capacity as it limits the right to use the lake.
- I object to tighter restrictions placed upon vegetative management permits.
- I object to the new non-transferable grandfathered vegetative management permit rule.
- I object to financial hardships of removing electricity from the lake.
- I object to only one request every five years for dock modification.
- I object to the 8' depth requirement for any new docks.

I would ask that the Shoreline Management Plan NOT be changed. At the very least, please do not allow the changes noted above to go into effect. It would have a devastating economic impact and would be detrimental to the public's right to use and enjoy our lake.

I am encouraged that the public's comments during the process have been acknowledged by the Corps. Thank you for listening. Please continue to help us protect our rights to use and enjoy our beautiful lake.

Sincerely,

20170826_Brown_R-W

Randy Brown

From: CESWL-Table Rock Shoreline Management Plan Update <CESWL-TableRockShorelineManagementPlanUpdate@usace.army.mil>
Sent: Tuesday, August 29, 2017 8:24 AM
To: Murphy, Gina L.
Subject: FW: [EXTERNAL] Table Rock Lake Shoreline Management Plan

-----Original Message-----

From: James`Cummings [<mailto:jimcarolc@centurytel.net>]
Sent: Saturday, August 26, 2017 12:53 PM
To: CESWL-Table Rock Shoreline Management Plan Update <CESWL-TableRockShorelineManagementPlanUpdate@usace.army.mil>; savetablerock@gmail.com
Subject: [EXTERNAL] Table Rock Lake Shoreline Management Plan

TO: Corps of Engineers Decision Makers

FROM: James Cummings

RE: Table Rock Lake Shoreline Management Plan

Dear Corps of Engineers Decision Makers,

I am deeply concerned about the drastic changes that are being proposed in your draft Shoreline Management Plan for Table Rock Lake. The community has been very clear in thousands of public comments submitted that we are opposed to over-regulation. We've asked many times for NO CHANGE to be made to the Plan, but there are several items of major concern:

- I object to the carrying capacity as it limits the right to use the lake.
- I object to tighter restrictions placed upon vegetative management permits.
- I object to the new non-transferable grandfathered vegetative management permit rule.
- I object to financial hardships of removing electricity from the lake.
- I object to only one request every five years for dock modification.
- I object to the 8' depth requirement for any new docks.

I would ask that the Shoreline Management Plan NOT be changed. At the very least, please do not allow the changes noted above to go into effect. It would have a devastating economic impact and would be detrimental to the public's right to use and enjoy our lake.

I am encouraged that the public's comments during the process have been acknowledged by the Corps. Thank you for listening. Please continue to help us protect our rights to use and enjoy our beautiful lake.

Sincerely,

20170826_Cummings_J-W

James Cummings

From: CESWL-Table Rock Shoreline Management Plan Update <CESWL-TableRockShorelineManagementPlanUpdate@usace.army.mil>
Sent: Tuesday, August 29, 2017 8:23 AM
To: Murphy, Gina L.
Subject: FW: [EXTERNAL] Table Rock Lake Shoreline Management Plan

-----Original Message-----

From: Lois`Dineen [<mailto:meandineen@centurylink.net>]
Sent: Saturday, August 26, 2017 11:14 AM
To: CESWL-Table Rock Shoreline Management Plan Update <CESWL-TableRockShorelineManagementPlanUpdate@usace.army.mil>; savetablerock@gmail.com
Subject: [EXTERNAL] Table Rock Lake Shoreline Management Plan

TO: Corps of Engineers Decision Makers

FROM: Lois Dineen

RE: Table Rock Lake Shoreline Management Plan

Dear Corps of Engineers Decision Makers,

I am deeply concerned about the drastic changes that are being proposed in your draft Shoreline Management Plan for Table Rock Lake. The community has been very clear in thousands of public comments submitted that we are opposed to over-regulation. We've asked many times for NO CHANGE to be made to the Plan, but there are several items of major concern:

- I object to the carrying capacity as it limits the right to use the lake.
- I object to tighter restrictions placed upon vegetative management permits.
- I object to the new non-transferable grandfathered vegetative management permit rule.
- I object to financial hardships of removing electricity from the lake.
- I object to only one request every five years for dock modification.
- I object to the 8' depth requirement for any new docks.

I would ask that the Shoreline Management Plan NOT be changed. At the very least, please do not allow the changes noted above to go into effect. It would have a devastating economic impact and would be detrimental to the public's right to use and enjoy our lake.

I agree with the above statements. I would question the prohibiting of fishing and boating equipment being stored on docks. I agree with monitoring sewage from boat toilets, but not eliminating their use. How would removing No Wake Buoys benefit the lake and its users? You have only to be on a dock when boats cut close to a dock to see the benefits of those buoys.

20170826_Dineen_L-W

Outlawing the use of golf carts to get people and equipment close to the docks would limit the ability of many people to access the dock. I enjoy the lake and need to drive to it as I am unable to walk a distance to it.

The lake is a beautiful place as it is, please don't institute changes to the rules that aren't wanted or necessary.

I am encouraged that the public's comments during the process have been acknowledged by the Corps. Thank you for listening. Please continue to help us protect our rights to use and enjoy our beautiful lake.

Sincerely,

Lois Dineen

From: CESWL-Table Rock Shoreline Management Plan Update <CESWL-TableRockShorelineManagementPlanUpdate@usace.army.mil>
Sent: Tuesday, August 29, 2017 8:24 AM
To: Murphy, Gina L.
Subject: FW: [EXTERNAL] Table Rock Lake Shoreline Management Plan

-----Original Message-----

From: Jule Dotson [<mailto:judydotson54@gmail.com>]
Sent: Saturday, August 26, 2017 1:40 PM
To: CESWL-Table Rock Shoreline Management Plan Update <CESWL-TableRockShorelineManagementPlanUpdate@usace.army.mil>; savetablerock@gmail.com
Subject: [EXTERNAL] Table Rock Lake Shoreline Management Plan

TO: Corps of Engineers Decision Makers

FROM: Jule Dotson

RE: Table Rock Lake Shoreline Management Plan

Dear Corps of Engineers Decision Makers,

I am deeply concerned about the drastic changes that are being proposed in your draft Shoreline Management Plan for Table Rock Lake. The community has been very clear in thousands of public comments submitted that we are opposed to over-regulation. We've asked many times for NO CHANGE to be made to the Plan, but there are several items of major concern:

- I object to the carrying capacity as it limits the right to use the lake.
- I object to tighter restrictions placed upon vegetative management permits.
- I object to the new non-transferable grandfathered vegetative management permit rule.
- I object to financial hardships of removing electricity from the lake.
- I object to only one request every five years for dock modification.
- I object to the 8' depth requirement for any new docks.

I would ask that the Shoreline Management Plan NOT be changed. At the very least, please do not allow the changes noted above to go into effect. It would have a devastating economic impact and would be detrimental to the public's right to use and enjoy our lake.

Table Rock is just fine the way it is.

I am encouraged that the public's comments during the process have been acknowledged by the Corps. Thank you for listening. Please continue to help us protect our rights to use and enjoy our beautiful lake.

20170826_Dotson_J-W

Sincerely,

Jule Dotson

From: CESWL-Table Rock Shoreline Management Plan Update <CESWL-TableRockShorelineManagementPlanUpdate@usace.army.mil>
Sent: Tuesday, August 29, 2017 8:22 AM
To: Murphy, Gina L.
Subject: FW: [EXTERNAL] Table Rock Lake Shoreline Management Plan

-----Original Message-----

From: Bill`Dunagan [<mailto:bill@dunagan3.com>]
Sent: Saturday, August 26, 2017 10:02 AM
To: CESWL-Table Rock Shoreline Management Plan Update <CESWL-TableRockShorelineManagementPlanUpdate@usace.army.mil>; savetablerock@gmail.com
Subject: [EXTERNAL] Table Rock Lake Shoreline Management Plan

TO: Corps of Engineers Decision Makers

FROM: Bill Dunagan

RE: Table Rock Lake Shoreline Management Plan

Dear Corps of Engineers Decision Makers,

I am deeply concerned about the drastic changes that are being proposed in your draft Shoreline Management Plan for Table Rock Lake. The community has been very clear in thousands of public comments submitted that we are opposed to over-regulation. We've asked many times for NO CHANGE to be made to the Plan, but there are several items of major concern:

- I object to the carrying capacity as it limits the right to use the lake.
- I object to tighter restrictions placed upon vegetative management permits.
- I object to the new non-transferable grandfathered vegetative management permit rule.
- I object to financial hardships of removing electricity from the lake.
- I object to only one request every five years for dock modification.
- I object to the 8' depth requirement for any new docks.

I would ask that the Shoreline Management Plan NOT be changed. At the very least, please do not allow the changes noted above to go into effect. It would have a devastating economic impact and would be detrimental to the public's right to use and enjoy our lake.

I am deeply concerned about all of the issues mentioned here, but most of all the electricity. It would be a great hardship on ALL PRIVATE DOCKS! Why are the commercial dock owners not required to make the change also???? Is it because they generate the bulk of the revenue for the Corps?

20170826_Dunagan_B-WA

I am encouraged that the public's comments during the process have been acknowledged by the Corps. Thank you for listening. Please continue to help us protect our rights to use and enjoy our beautiful lake.

Sincerely,

Bill Dunagan

From: CESWL-Table Rock Shoreline Management Plan Update <CESWL-TableRockShorelineManagementPlanUpdate@usace.army.mil>
Sent: Tuesday, August 29, 2017 8:16 AM
To: Murphy, Gina L.
Subject: FW: [EXTERNAL] Table Rock Lake Shoreline Management Plan

-----Original Message-----

From: Jerry`Durlington [<mailto:durlington40@yahoo.com>]
Sent: Saturday, August 26, 2017 7:46 AM
To: CESWL-Table Rock Shoreline Management Plan Update <CESWL-TableRockShorelineManagementPlanUpdate@usace.army.mil>; savetablerock@gmail.com
Subject: [EXTERNAL] Table Rock Lake Shoreline Management Plan

TO: Corps of Engineers Decision Makers

FROM: Jerry Durlington

RE: Table Rock Lake Shoreline Management Plan

Dear Corps of Engineers Decision Makers,

I am deeply concerned about the drastic changes that are being proposed in your draft Shoreline Management Plan for Table Rock Lake. The community has been very clear in thousands of public comments submitted that we are opposed to over-regulation. We've asked many times for NO CHANGE to be made to the Plan, but there are several items of major concern:

- I object to the carrying capacity as it limits the right to use the lake.
- I object to tighter restrictions placed upon vegetative management permits.
- I object to the new non-transferable grandfathered vegetative management permit rule.
- I object to financial hardships of removing electricity from the lake.
- I object to only one request every five years for dock modification.
- I object to the 8' depth requirement for any new docks.

I would ask that the Shoreline Management Plan NOT be changed. At the very least, please do not allow the changes noted above to go into effect. It would have a devastating economic impact and would be detrimental to the public's right to use and enjoy our lake.

I am encouraged that the public's comments during the process have been acknowledged by the Corps. Thank you for listening. Please continue to help us protect our rights to use and enjoy our beautiful lake.

Sincerely,

20170826_Durlington_J-W

Jerry Durlington

From: CESWL-Table Rock Shoreline Management Plan Update <CESWL-TableRockShorelineManagementPlanUpdate@usace.army.mil>
Sent: Tuesday, August 29, 2017 8:26 AM
To: Murphy, Gina L.
Subject: FW: [EXTERNAL] Shoreline Management Plans Comments

-----Original Message-----

From: Mark Eck [<mailto:denalidevelopment@gmail.com>]
Sent: Saturday, August 26, 2017 4:59 PM
To: CESWL-Table Rock Shoreline Management Plan Update <CESWL-TableRockShorelineManagementPlanUpdate@usace.army.mil>
Subject: [EXTERNAL] Shoreline Management Plans Comments

Thanks for the opportunity to comment on this plan,

1. Agree with the LDA changes, makes perfect sense to me.
2. Disagree with the limit of one dock modification every 5 years, I recognize this is likely a strain on the manpower to review multiple changes but things happen that necessitate changes that are unforeseen or uncontrollable. This seems unrealistic and could become very burdensome for some dock owners. If manpower is the concern, maybe assess a fee for the modification review?
3. Agree with the slip size reduction, 12' by 30' is more than adequate for boats on this lake.
4. My biggest objection is to the elimination of power lines to docks and moving to alternative power sources for boat docks no later than 2027. This is financially and logistically burdensome for many dock owners. Even if the current electric facilities are damaged, many owners will only have enough money to repair the existing as opposed to installing solar systems. My personal bias is that we let the free market determine this as opposed to a mandate. As costs of solar systems decline and costs to maintain and operate existing systems increase, then the move to solar will be complete. On a side note, the best use of these floating docks would be to allow them to be outfitted with solar but maintain a line to shore to provide power to the grid. That would be the best use of these structures but White River Electric would have to become more amenable to the concept and we would need to maintain electric lines from shore to docks.
5. Appreciate the reduced documentation requirement for the change in slip ownership, this was always a hassle for the slip owners and dockmasters.
6. The other critical objection, maybe more important than the elimination of electric lines, is the elimination of no wake buoys. This is a safety hazard as they clearly designate areas that may have people swimming near docks. Boat drivers should always be on the alert but the buoys provide a clear line for the swimmers not to cross and the boats to be very careful. As you know we have many visitors to the lake every year, who may be distracted or have forgotten some of the rules, and this extra level of caution provides an instant reminder to both driver and swimmers.

Outside of this scope I would like to suggest that the Corp consider adjusting the "Take Line" to reflect the true needs of the lake, Current "Take Line" surveys are erratic and do not reflect the true needs due to the survey techniques used at the time of the lake being built. New technology allows for the use of GPS, etc... to optimize the Take Line for its intended use. This would both benefit the Corp and the Landowners by protecting the Lake's needs and allowing the landowners to optimize the use of their

20170826_Eck_M

lands within the boundaries. Specifically on many properties the "Take Line" as defined by the survey markers, was both significantly above and below the high water mark of the recent pool height in late may/early June. Long term this is the right way to designate the US vs. Landowner property lines.

Thanks for accepting these comments and I hope that you will be able to modify the latest draft plan to incorporate these into the Final plan.

Mark Eck
Turnagain Boat Dock Dockmaster
Kimberling City Property Owner
Avid water sports enthusiast

--

Regards,

Mark Eck
Denali Development
denalidevelopment@gmail.com <<mailto:denalidevelopment@gmail.com>>
918.808.8499

From: CESWL-Table Rock Shoreline Management Plan Update <CESWL-TableRockShorelineManagementPlanUpdate@usace.army.mil>
Sent: Tuesday, August 29, 2017 8:23 AM
To: Murphy, Gina L.
Subject: FW: [EXTERNAL] Table Rock Lake Shoreline Management Plan

-----Original Message-----

From: Debbie Ewert [<mailto:djgere@gmail.com>]
Sent: Saturday, August 26, 2017 12:40 PM
To: CESWL-Table Rock Shoreline Management Plan Update <CESWL-TableRockShorelineManagementPlanUpdate@usace.army.mil>; savetablerock@gmail.com
Subject: [EXTERNAL] Table Rock Lake Shoreline Management Plan

TO: Corps of Engineers Decision Makers

FROM: Debbie Ewert

RE: Table Rock Lake Shoreline Management Plan

Dear Corps of Engineers Decision Makers,

I am deeply concerned about the drastic changes that are being proposed in your draft Shoreline Management Plan for Table Rock Lake. The community has been very clear in thousands of public comments submitted that we are opposed to over-regulation. We've asked many times for NO CHANGE to be made to the Plan, but there are several items of major concern:

- I object to the carrying capacity as it limits the right to use the lake.
- I object to tighter restrictions placed upon vegetative management permits.
- I object to the new non-transferable grandfathered vegetative management permit rule.
- I object to financial hardships of removing electricity from the lake.
- I object to only one request every five years for dock modification.
- I object to the 8' depth requirement for any new docks.

I would ask that the Shoreline Management Plan NOT be changed. At the very least, please do not allow the changes noted above to go into effect. It would have a devastating economic impact and would be detrimental to the public's right to use and enjoy our lake.

I am encouraged that the public's comments during the process have been acknowledged by the Corps. Thank you for listening. Please continue to help us protect our rights to use and enjoy our beautiful lake.

Sincerely,

20170826_Ewert_D-W

Debbie Ewert

From: CESWL-Table Rock Shoreline Management Plan Update <CESWL-TableRockShorelineManagementPlanUpdate@usace.army.mil>
Sent: Tuesday, August 29, 2017 8:25 AM
To: Murphy, Gina L.
Subject: FW: [EXTERNAL] Table Rock Lake Shoreline Management Plan

-----Original Message-----

From: Erin Freese [<mailto:efreese001@gmail.com>]
Sent: Saturday, August 26, 2017 4:04 PM
To: CESWL-Table Rock Shoreline Management Plan Update <CESWL-TableRockShorelineManagementPlanUpdate@usace.army.mil>; savetablerock@gmail.com
Subject: [EXTERNAL] Table Rock Lake Shoreline Management Plan

TO: Corps of Engineers Decision Makers

FROM: Erin Freese

RE: Table Rock Lake Shoreline Management Plan

Dear Corps of Engineers Decision Makers,

I am deeply concerned about the drastic changes that are being proposed in your draft Shoreline Management Plan for Table Rock Lake. The community has been very clear in thousands of public comments submitted that we are opposed to over-regulation. We've asked many times for NO CHANGE to be made to the Plan, but there are several items of major concern:

- I object to the carrying capacity as it limits the right to use the lake.
- I object to tighter restrictions placed upon vegetative management permits.
- I object to the new non-transferable grandfathered vegetative management permit rule.
- I object to financial hardships of removing electricity from the lake.
- I object to only one request every five years for dock modification.
- I object to the 8' depth requirement for any new docks.

I would ask that the Shoreline Management Plan NOT be changed. At the very least, please do not allow the changes noted above to go into effect. It would have a devastating economic impact and would be detrimental to the public's right to use and enjoy our lake.

I am encouraged that the public's comments during the process have been acknowledged by the Corps. Thank you for listening. Please continue to help us protect our rights to use and enjoy our beautiful lake.

Sincerely,

20170826_Freese_E-W

Erin Freese

From: CESWL-Table Rock Shoreline Management Plan Update <CESWL-TableRockShorelineManagementPlanUpdate@usace.army.mil>
Sent: Tuesday, August 29, 2017 8:16 AM
To: Murphy, Gina L.
Subject: FW: [EXTERNAL] Table Rock Lake Shoreline Management Plan

-----Original Message-----

From: gary`grable [<mailto:gookabf@hotmail.com>]
Sent: Saturday, August 26, 2017 2:21 AM
To: CESWL-Table Rock Shoreline Management Plan Update <CESWL-TableRockShorelineManagementPlanUpdate@usace.army.mil>; savetablerock@gmail.com
Subject: [EXTERNAL] Table Rock Lake Shoreline Management Plan

TO: Corps of Engineers Decision Makers

FROM: gary grable

RE: Table Rock Lake Shoreline Management Plan

Dear Corps of Engineers Decision Makers,

I am deeply concerned about the drastic changes that are being proposed in your draft Shoreline Management Plan for Table Rock Lake. The community has been very clear in thousands of public comments submitted that we are opposed to over-regulation. We've asked many times for NO CHANGE to be made to the Plan, but there are several items of major concern:

- I object to the carrying capacity as it limits the right to use the lake.
- I object to tighter restrictions placed upon vegetative management permits.
- I object to the new non-transferable grandfathered vegetative management permit rule.
- I object to financial hardships of removing electricity from the lake.
- I object to only one request every five years for dock modification.
- I object to the 8' depth requirement for any new docks.

I would ask that the Shoreline Management Plan NOT be changed. At the very least, please do not allow the changes noted above to go into effect. It would have a devastating economic impact and would be detrimental to the public's right to use and enjoy our lake.

I am encouraged that the public's comments during the process have been acknowledged by the Corps. Thank you for listening. Please continue to help us protect our rights to use and enjoy our beautiful lake.

Sincerely,

20170826_Grable_G-W

gary grable

From: CESWL-Table Rock Shoreline Management Plan Update <CESWL-TableRockShorelineManagementPlanUpdate@usace.army.mil>
Sent: Tuesday, August 29, 2017 8:23 AM
To: Murphy, Gina L.
Subject: FW: [EXTERNAL] Table Rock Lake Shoreline Management Plan

-----Original Message-----

From: Carrie Haddock`haddockcarrie@gmail.com [<mailto:haddockcarrie@gmail.com>]
Sent: Saturday, August 26, 2017 10:40 AM
To: CESWL-Table Rock Shoreline Management Plan Update <CESWL-TableRockShorelineManagementPlanUpdate@usace.army.mil>; savetablerock@gmail.com
Subject: [EXTERNAL] Table Rock Lake Shoreline Management Plan

TO: Corps of Engineers Decision Makers

FROM: Carrie Haddock haddockcarrie@gmail.com

RE: Table Rock Lake Shoreline Management Plan

Dear Corps of Engineers Decision Makers,

I am deeply concerned about the drastic changes that are being proposed in your draft Shoreline Management Plan for Table Rock Lake. The community has been very clear in thousands of public comments submitted that we are opposed to over-regulation. We've asked many times for NO CHANGE to be made to the Plan, but there are several items of major concern:

- I object to the carrying capacity as it limits the right to use the lake.
- I object to tighter restrictions placed upon vegetative management permits.
- I object to the new non-transferable grandfathered vegetative management permit rule.
- I object to financial hardships of removing electricity from the lake.
- I object to only one request every five years for dock modification.
- I object to the 8' depth requirement for any new docks.

I would ask that the Shoreline Management Plan NOT be changed. At the very least, please do not allow the changes noted above to go into effect. It would have a devastating economic impact and would be detrimental to the public's right to use and enjoy our lake.

Save Table Rock.. leave the current plan alone.. no more restrictions!

I am encouraged that the public's comments during the process have been acknowledged by the Corps. Thank you for listening. Please continue to help us protect our rights to use and enjoy our beautiful lake.

20170826_Haddock_C-W

Sincerely,

Carrie Haddock haddockcarrie@gmail.com

From: CESWL-Table Rock Shoreline Management Plan Update <CESWL-TableRockShorelineManagementPlanUpdate@usace.army.mil>
Sent: Tuesday, August 29, 2017 8:26 AM
To: Murphy, Gina L.
Subject: FW: [EXTERNAL] Table Rock Lake Shoreline Management Plan

-----Original Message-----

From: Renae `Ingram [<mailto:nctwogirls01@hotmail.com>]
Sent: Saturday, August 26, 2017 7:10 PM
To: CESWL-Table Rock Shoreline Management Plan Update <CESWL-TableRockShorelineManagementPlanUpdate@usace.army.mil>; savetablerock@gmail.com
Subject: [EXTERNAL] Table Rock Lake Shoreline Management Plan

TO: Corps of Engineers Decision Makers

FROM: Renae Ingram

RE: Table Rock Lake Shoreline Management Plan

Dear Corps of Engineers Decision Makers,

I am deeply concerned about the drastic changes that are being proposed in your draft Shoreline Management Plan for Table Rock Lake. The community has been very clear in thousands of public comments submitted that we are opposed to over-regulation. We've asked many times for NO CHANGE to be made to the Plan, but there are several items of major concern:

- I object to the carrying capacity as it limits the right to use the lake.
- I object to tighter restrictions placed upon vegetative management permits.
- I object to the new non-transferable grandfathered vegetative management permit rule.
- I object to financial hardships of removing electricity from the lake.
- I object to only one request every five years for dock modification.
- I object to the 8' depth requirement for any new docks.

I would ask that the Shoreline Management Plan NOT be changed. At the very least, please do not allow the changes noted above to go into effect. It would have a devastating economic impact and would be detrimental to the public's right to use and enjoy our lake.

I am encouraged that the public's comments during the process have been acknowledged by the Corps. Thank you for listening. Please continue to help us protect our rights to use and enjoy our beautiful lake.

Sincerely,

20170826_Ingram_R-W

Rena Ingram

From: CESWL-Table Rock Shoreline Management Plan Update <CESWL-TableRockShorelineManagementPlanUpdate@usace.army.mil>
Sent: Tuesday, August 29, 2017 8:25 AM
To: Murphy, Gina L.
Subject: FW: [EXTERNAL] Table Rock Lake Shoreline Management Plan

-----Original Message-----

From: Tom`Janus [<mailto:tjanus50@gmail.com>]
Sent: Saturday, August 26, 2017 4:16 PM
To: CESWL-Table Rock Shoreline Management Plan Update <CESWL-TableRockShorelineManagementPlanUpdate@usace.army.mil>; savetablerock@gmail.com
Subject: [EXTERNAL] Table Rock Lake Shoreline Management Plan

TO: Corps of Engineers Decision Makers

FROM: Tom Janus

RE: Table Rock Lake Shoreline Management Plan

Dear Corps of Engineers Decision Makers,

I am deeply concerned about the drastic changes that are being proposed in your draft Shoreline Management Plan for Table Rock Lake. The community has been very clear in thousands of public comments submitted that we are opposed to over-regulation. We've asked many times for NO CHANGE to be made to the Plan, but there are several items of major concern:

- I object to the carrying capacity as it limits the right to use the lake.
- I object to tighter restrictions placed upon vegetative management permits.
- I object to the new non-transferable grandfathered vegetative management permit rule.
- I object to financial hardships of removing electricity from the lake.
- I object to only one request every five years for dock modification.
- I object to the 8' depth requirement for any new docks.

I would ask that the Shoreline Management Plan NOT be changed. At the very least, please do not allow the changes noted above to go into effect. It would have a devastating economic impact and would be detrimental to the public's right to use and enjoy our lake.

Instead of imposing all of these ridiculous changes to a management plan that is perfectly fine just the way it is , why don't you make our lake safer by installing some more danger buoys around some of these islands that pop up when we have low water conditions ? Your proposed plan would do just the opposite , make it more dangerous and less desirable for everyone !

20170826_Janus_T-WA

I am encouraged that the public's comments during the process have been acknowledged by the Corps. Thank you for listening. Please continue to help us protect our rights to use and enjoy our beautiful lake.

Sincerely,

Tom Janus

From: CESWL-Table Rock Shoreline Management Plan Update <CESWL-TableRockShorelineManagementPlanUpdate@usace.army.mil>
Sent: Tuesday, August 29, 2017 8:27 AM
To: Murphy, Gina L.
Subject: FW: [EXTERNAL] Table Rock Lake Shoreline Management Plan

-----Original Message-----

From: Danny`Keithley [<mailto:dansbass123@aol.com>]
Sent: Saturday, August 26, 2017 8:41 PM
To: CESWL-Table Rock Shoreline Management Plan Update <CESWL-TableRockShorelineManagementPlanUpdate@usace.army.mil>; savetablerock@gmail.com
Subject: [EXTERNAL] Table Rock Lake Shoreline Management Plan

TO: Corps of Engineers Decision Makers

FROM: Danny Keithley

RE: Table Rock Lake Shoreline Management Plan

Dear Corps of Engineers Decision Makers,

I am deeply concerned about the drastic changes that are being proposed in your draft Shoreline Management Plan for Table Rock Lake. The community has been very clear in thousands of public comments submitted that we are opposed to over-regulation. We've asked many times for NO CHANGE to be made to the Plan, but there are several items of major concern:

- I object to the carrying capacity as it limits the right to use the lake.
- I object to tighter restrictions placed upon vegetative management permits.
- I object to the new non-transferable grandfathered vegetative management permit rule.
- I object to financial hardships of removing electricity from the lake.
- I object to only one request every five years for dock modification.
- I object to the 8' depth requirement for any new docks.

I would ask that the Shoreline Management Plan NOT be changed. At the very least, please do not allow the changes noted above to go into effect. It would have a devastating economic impact and would be detrimental to the public's right to use and enjoy our lake.

I am encouraged that the public's comments during the process have been acknowledged by the Corps. Thank you for listening. Please continue to help us protect our rights to use and enjoy our beautiful lake.

Sincerely,

20170826_Keithley_D-W

Danny Keithley

From: CESWL-Table Rock Shoreline Management Plan Update <CESWL-TableRockShorelineManagementPlanUpdate@usace.army.mil>
Sent: Tuesday, August 29, 2017 8:27 AM
To: Murphy, Gina L.
Subject: FW: [EXTERNAL] Table Rock Lake Shoreline Management Plan

-----Original Message-----

From: steve`latimer [<mailto:sslatimer@aol.com>]
Sent: Saturday, August 26, 2017 11:29 PM
To: CESWL-Table Rock Shoreline Management Plan Update <CESWL-TableRockShorelineManagementPlanUpdate@usace.army.mil>; savetablerock@gmail.com
Subject: [EXTERNAL] Table Rock Lake Shoreline Management Plan

TO: Corps of Engineers Decision Makers

FROM: steve latimer

RE: Table Rock Lake Shoreline Management Plan

Dear Corps of Engineers Decision Makers,

I am deeply concerned about the drastic changes that are being proposed in your draft Shoreline Management Plan for Table Rock Lake. The community has been very clear in thousands of public comments submitted that we are opposed to over-regulation. We've asked many times for NO CHANGE to be made to the Plan, but there are several items of major concern:

- I object to the carrying capacity as it limits the right to use the lake.
- I object to tighter restrictions placed upon vegetative management permits.
- I object to the new non-transferable grandfathered vegetative management permit rule.
- I object to financial hardships of removing electricity from the lake.
- I object to only one request every five years for dock modification.
- I object to the 8' depth requirement for any new docks.

I would ask that the Shoreline Management Plan NOT be changed. At the very least, please do not allow the changes noted above to go into effect. It would have a devastating economic impact and would be detrimental to the public's right to use and enjoy our lake.

I am encouraged that the public's comments during the process have been acknowledged by the Corps. Thank you for listening. Please continue to help us protect our rights to use and enjoy our beautiful lake.

Sincerely,

20170826_Latimer_S-W

steve latimer

From: CESWL-Table Rock Shoreline Management Plan Update <CESWL-TableRockShorelineManagementPlanUpdate@usace.army.mil>
Sent: Tuesday, August 29, 2017 8:24 AM
To: Murphy, Gina L.
Subject: FW: [EXTERNAL] Table Rock Lake Shoreline Management Plan

-----Original Message-----

From: Amanda`McCrickard [<mailto:amanda.mcc5@gmail.com>]
Sent: Saturday, August 26, 2017 3:44 PM
To: CESWL-Table Rock Shoreline Management Plan Update <CESWL-TableRockShorelineManagementPlanUpdate@usace.army.mil>; savetablerock@gmail.com
Subject: [EXTERNAL] Table Rock Lake Shoreline Management Plan

TO: Corps of Engineers Decision Makers

FROM: Amanda McCrickard

RE: Table Rock Lake Shoreline Management Plan

Dear Corps of Engineers Decision Makers,

I am deeply concerned about the drastic changes that are being proposed in your draft Shoreline Management Plan for Table Rock Lake. The community has been very clear in thousands of public comments submitted that we are opposed to over-regulation. We've asked many times for NO CHANGE to be made to the Plan, but there are several items of major concern:

- I object to the carrying capacity as it limits the right to use the lake.
- I object to tighter restrictions placed upon vegetative management permits.
- I object to the new non-transferable grandfathered vegetative management permit rule.
- I object to financial hardships of removing electricity from the lake.
- I object to only one request every five years for dock modification.
- I object to the 8' depth requirement for any new docks.

I would ask that the Shoreline Management Plan NOT be changed. At the very least, please do not allow the changes noted above to go into effect. It would have a devastating economic impact and would be detrimental to the public's right to use and enjoy our lake.

I am encouraged that the public's comments during the process have been acknowledged by the Corps. Thank you for listening. Please continue to help us protect our rights to use and enjoy our beautiful lake.

Sincerely,

20170826_McCrickard_A-W

Amanda McCrickard

From: CESWL-Table Rock Shoreline Management Plan Update <CESWL-TableRockShorelineManagementPlanUpdate@usace.army.mil>
Sent: Tuesday, August 29, 2017 8:27 AM
To: Murphy, Gina L.
Subject: FW: [EXTERNAL] Plan Suggestions

-----Original Message-----

From: Paul Metzger [<mailto:brdhnr@centurylink.net>]
Sent: Saturday, August 26, 2017 7:57 PM
To: CESWL-Table Rock Shoreline Management Plan Update <CESWL-TableRockShorelineManagementPlanUpdate@usace.army.mil>
Subject: [EXTERNAL] Plan Suggestions

From Paul Metzger

500 Mill Creek Shores, Lampe, Mo. 65681

The following are my recommendations to some of your new plan proposals.

1. You should assemble a committee of non-Corps members that would work hand in hand with your Corps Plan Advisory Team. The non-Corps members should be a mix of business and full time residents of the lake. Then your efforts would be bi-directional in which a better understanding of each needs could be addressed and discussed. Currently the SMP proposal is strictly from a single one sided point of view.
2. The Alternative energy proposal for private docks should be disposed of completely. If you feel this is necessary, start with the Public Facilities and Marinas first. Then learn from that experience. Also Alternative energy of that massive scale should NOT be stand alone. Today if I add Solar to my home, the energy generated is sold back to the utility and reduces my bill. Not allowing the thousands of alternative energy systems to connect back to the electrical grid and allow the utility to collect this power is not a good steward of energy, costs and carbon footprint.
3. At the Reeds Spring meeting I discussed zoning issues with a Corps team member. I was told the Corps plans to freely distribute new and additional zoning to private docks that are not zoned today. However, this plan has NO path to address all the private docks that are "grandfathered in" with other zoning issues. For example, our community owns two community docks and a boat ramp. The zoning footage is only 290 ft in length. Thus we cannot make ANY changes to our docks, meet the Corps 100 ft separation rules, or add slips. The Corps Team Member told me that it was Too much Work to address all the Grandfathered issues. So The Corps plans to leave docks similar to ours "Stranded" into a situation that was created by the Corps. This idea is ludicrous. These Grandfathered docks should NOT be left behind and the Corps should find a way to address those Grandfathered docks that want to be addressed. If this is truly allot of work, maybe you should prioritize your tasks better. This issue should

surely take a higher priority than trying to remove No Wake buoys. (another poorly thought out proposal and wasted time)

4. The Corps should remove themselves from their efforts to collect data as to whom the owners of individual boat slips are as well as whose boats are moored in them. These two items are Personal Property and should be NO concern of the Corps. This would free up thousands of man-hours and allow the Corps to focus on real tasks at hand such as Grandfathered Dock Issues.

5. Your reduction of the size of trees and shrubs allowed for removal with a permit went in the wrong direction. You should have doubled the size limitations instead of reducing them.

6. Out of all the proposals made by the Corps for the SMP, I can only find about three that I can actually agree that it would benefit the lake and the residents. It looks like the Corps worked hard at assembling rules and regulations that the majority of private residents would disagree with. However, there is plenty of favoritism towards marinas and corporate investments around the lake. Although the residents outnumber the public facilities 1000 times, still there is obvious favoritism towards them. Go Figure.

Paul Metzger

From: CESWL-Table Rock Shoreline Management Plan Update <CESWL-TableRockShorelineManagementPlanUpdate@usace.army.mil>
Sent: Tuesday, August 29, 2017 8:16 AM
To: Murphy, Gina L.
Subject: FW: [EXTERNAL] Table Rock Lake Shoreline Management Plan

-----Original Message-----

From: Eric`Midgett [<mailto:mrtnfn3@yahoo.com>]
Sent: Saturday, August 26, 2017 8:20 AM
To: CESWL-Table Rock Shoreline Management Plan Update <CESWL-TableRockShorelineManagementPlanUpdate@usace.army.mil>; savetablerock@gmail.com
Subject: [EXTERNAL] Table Rock Lake Shoreline Management Plan

TO: Corps of Engineers Decision Makers

FROM: Eric Midgett

RE: Table Rock Lake Shoreline Management Plan

Dear Corps of Engineers Decision Makers,

I am deeply concerned about the drastic changes that are being proposed in your draft Shoreline Management Plan for Table Rock Lake. The community has been very clear in thousands of public comments submitted that we are opposed to over-regulation. We've asked many times for NO CHANGE to be made to the Plan, but there are several items of major concern:

- I object to the carrying capacity as it limits the right to use the lake.
- I object to tighter restrictions placed upon vegetative management permits.
- I object to the new non-transferable grandfathered vegetative management permit rule.
- I object to financial hardships of removing electricity from the lake.
- I object to only one request every five years for dock modification.
- I object to the 8' depth requirement for any new docks.

I would ask that the Shoreline Management Plan NOT be changed. At the very least, please do not allow the changes noted above to go into effect. It would have a devastating economic impact and would be detrimental to the public's right to use and enjoy our lake.

I am encouraged that the public's comments during the process have been acknowledged by the Corps. Thank you for listening. Please continue to help us protect our rights to use and enjoy our beautiful lake.

Sincerely,

20170826_Midgett_E-W

Eric Midgett

From: CESWL-Table Rock Shoreline Management Plan Update <CESWL-TableRockShorelineManagementPlanUpdate@usace.army.mil>
Sent: Tuesday, August 29, 2017 8:23 AM
To: Murphy, Gina L.
Subject: FW: [EXTERNAL] Table Rock Lake Shoreline Management Plan

-----Original Message-----

From: Mike`Miller [<mailto:mikemiller030@yahoo.com>]
Sent: Saturday, August 26, 2017 12:20 PM
To: CESWL-Table Rock Shoreline Management Plan Update <CESWL-TableRockShorelineManagementPlanUpdate@usace.army.mil>; savetablerock@gmail.com
Subject: [EXTERNAL] Table Rock Lake Shoreline Management Plan

TO: Corps of Engineers Decision Makers

FROM: Mike Miller

RE: Table Rock Lake Shoreline Management Plan

Dear Corps of Engineers Decision Makers,

I am deeply concerned about the drastic changes that are being proposed in your draft Shoreline Management Plan for Table Rock Lake. The community has been very clear in thousands of public comments submitted that we are opposed to over-regulation. We've asked many times for NO CHANGE to be made to the Plan, but there are several items of major concern:

- I object to the carrying capacity as it limits the right to use the lake.
- I object to tighter restrictions placed upon vegetative management permits.
- I object to the new non-transferable grandfathered vegetative management permit rule.
- I object to financial hardships of removing electricity from the lake.
- I object to only one request every five years for dock modification.
- I object to the 8' depth requirement for any new docks.

I would ask that the Shoreline Management Plan NOT be changed. At the very least, please do not allow the changes noted above to go into effect. It would have a devastating economic impact and would be detrimental to the public's right to use and enjoy our lake.

I am encouraged that the public's comments during the process have been acknowledged by the Corps. Thank you for listening. Please continue to help us protect our rights to use and enjoy our beautiful lake.

Sincerely,

20170826_Miller_M-W

Mike Miller

From: CESWL-Table Rock Shoreline Management Plan Update <CESWL-TableRockShorelineManagementPlanUpdate@usace.army.mil>
Sent: Tuesday, August 29, 2017 8:23 AM
To: Murphy, Gina L.
Subject: FW: [EXTERNAL] Table Rock Lake Shoreline Management Plan

-----Original Message-----

From: Natalie `Miller [<mailto:nataliemiller030@gmail.com>]
Sent: Saturday, August 26, 2017 12:18 PM
To: CESWL-Table Rock Shoreline Management Plan Update <CESWL-TableRockShorelineManagementPlanUpdate@usace.army.mil>; savetablerock@gmail.com
Subject: [EXTERNAL] Table Rock Lake Shoreline Management Plan

TO: Corps of Engineers Decision Makers

FROM: Natalie Miller

RE: Table Rock Lake Shoreline Management Plan

Dear Corps of Engineers Decision Makers,

I am deeply concerned about the drastic changes that are being proposed in your draft Shoreline Management Plan for Table Rock Lake. The community has been very clear in thousands of public comments submitted that we are opposed to over-regulation. We've asked many times for NO CHANGE to be made to the Plan, but there are several items of major concern:

- I object to the carrying capacity as it limits the right to use the lake.
- I object to tighter restrictions placed upon vegetative management permits.
- I object to the new non-transferable grandfathered vegetative management permit rule.
- I object to financial hardships of removing electricity from the lake.
- I object to only one request every five years for dock modification.
- I object to the 8' depth requirement for any new docks.

I would ask that the Shoreline Management Plan NOT be changed. At the very least, please do not allow the changes noted above to go into effect. It would have a devastating economic impact and would be detrimental to the public's right to use and enjoy our lake.

I am encouraged that the public's comments during the process have been acknowledged by the Corps. Thank you for listening. Please continue to help us protect our rights to use and enjoy our beautiful lake.

Sincerely,

20170826_Miller_N-W

Natalie Miller

From: CESWL-Table Rock Shoreline Management Plan Update <CESWL-TableRockShorelineManagementPlanUpdate@usace.army.mil>
Sent: Tuesday, August 29, 2017 8:22 AM
To: Murphy, Gina L.
Subject: FW: [EXTERNAL] Table Rock Lake Shoreline Management Plan

-----Original Message-----

From: Bob `Moncrief [<mailto:surfmastercraft@aol.com>]
Sent: Saturday, August 26, 2017 9:32 AM
To: CESWL-Table Rock Shoreline Management Plan Update <CESWL-TableRockShorelineManagementPlanUpdate@usace.army.mil>; savetablerock@gmail.com
Subject: [EXTERNAL] Table Rock Lake Shoreline Management Plan

TO: Corps of Engineers Decision Makers

FROM: Bob Moncrief

RE: Table Rock Lake Shoreline Management Plan

Dear Corps of Engineers Decision Makers,

I am deeply concerned about the drastic changes that are being proposed in your draft Shoreline Management Plan for Table Rock Lake. The community has been very clear in thousands of public comments submitted that we are opposed to over-regulation. We've asked many times for NO CHANGE to be made to the Plan, but there are several items of major concern:

- I object to the carrying capacity as it limits the right to use the lake.
- I object to tighter restrictions placed upon vegetative management permits.
- I object to the new non-transferable grandfathered vegetative management permit rule.
- I object to financial hardships of removing electricity from the lake.
- I object to only one request every five years for dock modification.
- I object to the 8' depth requirement for any new docks.

I would ask that the Shoreline Management Plan NOT be changed. At the very least, please do not allow the changes noted above to go into effect. It would have a devastating economic impact and would be detrimental to the public's right to use and enjoy our lake.

I am encouraged that the public's comments during the process have been acknowledged by the Corps. Thank you for listening. Please continue to help us protect our rights to use and enjoy our beautiful lake.

Sincerely,

20170826_Moncrief_B-W

Bob Moncrief

From: CESWL-Table Rock Shoreline Management Plan Update <CESWL-TableRockShorelineManagementPlanUpdate@usace.army.mil>
Sent: Tuesday, August 29, 2017 8:24 AM
To: Murphy, Gina L.
Subject: FW: [EXTERNAL] Table Rock Lake Shoreline Management Plan

-----Original Message-----

From: Dena `Nance [<mailto:d.nance@mchsi.com>]
Sent: Saturday, August 26, 2017 1:34 PM
To: CESWL-Table Rock Shoreline Management Plan Update <CESWL-TableRockShorelineManagementPlanUpdate@usace.army.mil>; savetablerock@gmail.com
Subject: [EXTERNAL] Table Rock Lake Shoreline Management Plan

TO: Corps of Engineers Decision Makers

FROM: Dena Nance

RE: Table Rock Lake Shoreline Management Plan

Dear Corps of Engineers Decision Makers,

I am deeply concerned about the drastic changes that are being proposed in your draft Shoreline Management Plan for Table Rock Lake. The community has been very clear in thousands of public comments submitted that we are opposed to over-regulation. We've asked many times for NO CHANGE to be made to the Plan, but there are several items of major concern:

- I object to the carrying capacity as it limits the right to use the lake.
- I object to tighter restrictions placed upon vegetative management permits.
- I object to the new non-transferable grandfathered vegetative management permit rule.
- I object to financial hardships of removing electricity from the lake.
- I object to only one request every five years for dock modification.
- I object to the 8' depth requirement for any new docks.

I would ask that the Shoreline Management Plan NOT be changed. At the very least, please do not allow the changes noted above to go into effect. It would have a devastating economic impact and would be detrimental to the public's right to use and enjoy our lake.

We are concerned that we won't be able to enjoy our property on the lake. It is a very large investment and we are not even able to see much of the lake because of so many high weeds and brush. The Corps property is out of control! It looks horrible plus increases ticks and snakes in our yards! We should be

20170826_Nance_D-WA

able to clean up and make the property look like a park area. The President even commented on an over reach of the Corps and that home owners should be able to enjoy their property!

I am encouraged that the public's comments during the process have been acknowledged by the Corps. Thank you for listening. Please continue to help us protect our rights to use and enjoy our beautiful lake.

Sincerely,

Dena Nance

From: CESWL-Table Rock Shoreline Management Plan Update <CESWL-TableRockShorelineManagementPlanUpdate@usace.army.mil>
Sent: Tuesday, August 29, 2017 8:27 AM
To: Murphy, Gina L.
Subject: FW: [EXTERNAL] Table Rock Lake Shoreline Management Plan

-----Original Message-----

From: Pam`Oldham [<mailto:pamoldham68@gmail.com>]
Sent: Saturday, August 26, 2017 9:33 PM
To: CESWL-Table Rock Shoreline Management Plan Update <CESWL-TableRockShorelineManagementPlanUpdate@usace.army.mil>; savetablerock@gmail.com
Subject: [EXTERNAL] Table Rock Lake Shoreline Management Plan

TO: Corps of Engineers Decision Makers

FROM: Pam Oldham

RE: Table Rock Lake Shoreline Management Plan

Dear Corps of Engineers Decision Makers,

I am deeply concerned about the drastic changes that are being proposed in your draft Shoreline Management Plan for Table Rock Lake. The community has been very clear in thousands of public comments submitted that we are opposed to over-regulation. We've asked many times for NO CHANGE to be made to the Plan, but there are several items of major concern:

- I object to the carrying capacity as it limits the right to use the lake.
- I object to tighter restrictions placed upon vegetative management permits.
- I object to the new non-transferable grandfathered vegetative management permit rule.
- I object to financial hardships of removing electricity from the lake.
- I object to only one request every five years for dock modification.
- I object to the 8' depth requirement for any new docks.

I would ask that the Shoreline Management Plan NOT be changed. At the very least, please do not allow the changes noted above to go into effect. It would have a devastating economic impact and would be detrimental to the public's right to use and enjoy our lake.

It seems the corp is going to extremes that are not reasonable to residents and business owners of the lake. From limiting usage to adding solar power and taking away buoys. What good would come from any of the changes they are proposing?

20170826_Oldham_P-WA

I am encouraged that the public's comments during the process have been acknowledged by the Corps. Thank you for listening. Please continue to help us protect our rights to use and enjoy our beautiful lake.

Sincerely,

Pam Oldham

From: CESWL-Table Rock Shoreline Management Plan Update <CESWL-TableRockShorelineManagementPlanUpdate@usace.army.mil>
Sent: Tuesday, August 29, 2017 8:27 AM
To: Murphy, Gina L.
Subject: FW: [EXTERNAL] Table Rock Lake Shoreline Management Plan

-----Original Message-----

From: JOHN`Pierquet [<mailto:JPierquet@elknet.net>]
Sent: Saturday, August 26, 2017 10:47 PM
To: CESWL-Table Rock Shoreline Management Plan Update <CESWL-TableRockShorelineManagementPlanUpdate@usace.army.mil>; savetablerock@gmail.com
Subject: [EXTERNAL] Table Rock Lake Shoreline Management Plan

TO: Corps of Engineers Decision Makers

FROM: JOHN Pierquet

RE: Table Rock Lake Shoreline Management Plan

Dear Corps of Engineers Decision Makers,

I am deeply concerned about the drastic changes that are being proposed in your draft Shoreline Management Plan for Table Rock Lake. The community has been very clear in thousands of public comments submitted that we are opposed to over-regulation. We've asked many times for NO CHANGE to be made to the Plan, but there are several items of major concern:

- I object to the carrying capacity as it limits the right to use the lake.
- I object to tighter restrictions placed upon vegetative management permits.
- I object to the new non-transferable grandfathered vegetative management permit rule.
- I object to financial hardships of removing electricity from the lake.
- I object to only one request every five years for dock modification.
- I object to the 8' depth requirement for any new docks.

I would ask that the Shoreline Management Plan NOT be changed. At the very least, please do not allow the changes noted above to go into effect. It would have a devastating economic impact and would be detrimental to the public's right to use and enjoy our lake.

I am encouraged that the public's comments during the process have been acknowledged by the Corps. Thank you for listening. Please continue to help us protect our rights to use and enjoy our beautiful lake.

Sincerely,

20170826_Pierquet_J-W

JOHN Pierquet

From: CESWL-Table Rock Shoreline Management Plan Update <CESWL-TableRockShorelineManagementPlanUpdate@usace.army.mil>
Sent: Tuesday, August 29, 2017 8:24 AM
To: Murphy, Gina L.
Subject: FW: [EXTERNAL] Table Rock Lake Shoreline Management Plan

-----Original Message-----

From: Janeen`Plummer [<mailto:rafterjpranch@msn.com>]
Sent: Saturday, August 26, 2017 3:42 PM
To: CESWL-Table Rock Shoreline Management Plan Update <CESWL-TableRockShorelineManagementPlanUpdate@usace.army.mil>; savetablerock@gmail.com
Subject: [EXTERNAL] Table Rock Lake Shoreline Management Plan

TO: Corps of Engineers Decision Makers

FROM: Janeen Plummer

RE: Table Rock Lake Shoreline Management Plan

Dear Corps of Engineers Decision Makers,

I am deeply concerned about the drastic changes that are being proposed in your draft Shoreline Management Plan for Table Rock Lake. The community has been very clear in thousands of public comments submitted that we are opposed to over-regulation. We've asked many times for NO CHANGE to be made to the Plan, but there are several items of major concern:

- I object to the carrying capacity as it limits the right to use the lake.
- I object to tighter restrictions placed upon vegetative management permits.
- I object to the new non-transferable grandfathered vegetative management permit rule.
- I object to financial hardships of removing electricity from the lake.
- I object to only one request every five years for dock modification.
- I object to the 8' depth requirement for any new docks.

I would ask that the Shoreline Management Plan NOT be changed. At the very least, please do not allow the changes noted above to go into effect. It would have a devastating economic impact and would be detrimental to the public's right to use and enjoy our lake.

I am encouraged that the public's comments during the process have been acknowledged by the Corps. Thank you for listening. Please continue to help us protect our rights to use and enjoy our beautiful lake.

Sincerely,

20170826_Plummer_J-W

Janeen Plummer

From: CESWL-Table Rock Shoreline Management Plan Update <CESWL-TableRockShorelineManagementPlanUpdate@usace.army.mil>
Sent: Tuesday, August 29, 2017 8:17 AM
To: Murphy, Gina L.
Subject: FW: [EXTERNAL] Table Rock Lake Shoreline Management Plan

-----Original Message-----

From: Susan`Ramonette [<mailto:sramonette@gmail.com>]
Sent: Saturday, August 26, 2017 9:13 AM
To: CESWL-Table Rock Shoreline Management Plan Update <CESWL-TableRockShorelineManagementPlanUpdate@usace.army.mil>; savetablerock@gmail.com
Subject: [EXTERNAL] Table Rock Lake Shoreline Management Plan

TO: Corps of Engineers Decision Makers

FROM: Susan Ramonette

RE: Table Rock Lake Shoreline Management Plan

Dear Corps of Engineers Decision Makers,

I am deeply concerned about the drastic changes that are being proposed in your draft Shoreline Management Plan for Table Rock Lake. The community has been very clear in thousands of public comments submitted that we are opposed to over-regulation. We've asked many times for NO CHANGE to be made to the Plan, but there are several items of major concern:

- I object to the carrying capacity as it limits the right to use the lake.
- I object to tighter restrictions placed upon vegetative management permits.
- I object to the new non-transferable grandfathered vegetative management permit rule.
- I object to financial hardships of removing electricity from the lake.
- I object to only one request every five years for dock modification.
- I object to the 8' depth requirement for any new docks.

I would ask that the Shoreline Management Plan NOT be changed. At the very least, please do not allow the changes noted above to go into effect. It would have a devastating economic impact and would be detrimental to the public's right to use and enjoy our lake.

I do not agree with all the above restrictions.

I do NOT object to the proposed carrying capacity

20170826_Ramonette_S-WA

I am encouraged that the public's comments during the process have been acknowledged by the Corps. Thank you for listening. Please continue to help us protect our rights to use and enjoy our beautiful lake.

Sincerely,

Susan Ramonette

From: CESWL-Table Rock Shoreline Management Plan Update <CESWL-TableRockShorelineManagementPlanUpdate@usace.army.mil>
Sent: Tuesday, August 29, 2017 8:17 AM
To: Murphy, Gina L.
Subject: FW: [EXTERNAL] Table Rock Lake Shoreline Management Plan

-----Original Message-----

From: Linda Rogers [<mailto:linda1216us@yahoo.com>]
Sent: Saturday, August 26, 2017 8:59 AM
To: CESWL-Table Rock Shoreline Management Plan Update <CESWL-TableRockShorelineManagementPlanUpdate@usace.army.mil>; savetablerock@gmail.com
Subject: [EXTERNAL] Table Rock Lake Shoreline Management Plan

TO: Corps of Engineers Decision Makers

FROM: Linda Rogers

RE: Table Rock Lake Shoreline Management Plan

Dear Corps of Engineers Decision Makers,

I am deeply concerned about the drastic changes that are being proposed in your draft Shoreline Management Plan for Table Rock Lake. The community has been very clear in thousands of public comments submitted that we are opposed to over-regulation. We've asked many times for NO CHANGE to be made to the Plan, but there are several items of major concern:

- I object to the carrying capacity as it limits the right to use the lake.
- I object to tighter restrictions placed upon vegetative management permits.
- I object to the new non-transferable grandfathered vegetative management permit rule.
- I object to financial hardships of removing electricity from the lake.
- I object to only one request every five years for dock modification.
- I object to the 8' depth requirement for any new docks.

I would ask that the Shoreline Management Plan NOT be changed. At the very least, please do not allow the changes noted above to go into effect. It would have a devastating economic impact and would be detrimental to the public's right to use and enjoy our lake.

Table Rock Lake has been managed very well up to now and is one of the best lakes in Missouri. Making these changes seems unnecessary and excessive. Please listen to the fine folks who use and enjoy the lake and avoid over-regulating and over-managing what is now a perfectly regulated and managed lake. Change for change's sake is not always a good thing.

20170826_Rogers_L-WA

I am encouraged that the public's comments during the process have been acknowledged by the Corps. Thank you for listening. Please continue to help us protect our rights to use and enjoy our beautiful lake.

Sincerely,

Linda Rogers

From: CESWL-Table Rock Shoreline Management Plan Update <CESWL-TableRockShorelineManagementPlanUpdate@usace.army.mil>
Sent: Tuesday, August 29, 2017 8:17 AM
To: Murphy, Gina L.
Subject: FW: [EXTERNAL] Table Rock Lake Shoreline Management Plan

-----Original Message-----

From: Terri`Schaaf [<mailto:twittschaaf@hotmail.com>]
Sent: Saturday, August 26, 2017 9:27 AM
To: CESWL-Table Rock Shoreline Management Plan Update <CESWL-TableRockShorelineManagementPlanUpdate@usace.army.mil>; savetablerock@gmail.com
Subject: [EXTERNAL] Table Rock Lake Shoreline Management Plan

TO: Corps of Engineers Decision Makers

FROM: Terri Schaaf

RE: Table Rock Lake Shoreline Management Plan

Dear Corps of Engineers Decision Makers,

I am deeply concerned about the drastic changes that are being proposed in your draft Shoreline Management Plan for Table Rock Lake. The community has been very clear in thousands of public comments submitted that we are opposed to over-regulation. We've asked many times for NO CHANGE to be made to the Plan, but there are several items of major concern:

- I object to the carrying capacity as it limits the right to use the lake.
- I object to tighter restrictions placed upon vegetative management permits.
- I object to the new non-transferable grandfathered vegetative management permit rule.
- I object to financial hardships of removing electricity from the lake.
- I object to only one request every five years for dock modification.
- I object to the 8' depth requirement for any new docks.

I would ask that the Shoreline Management Plan NOT be changed. At the very least, please do not allow the changes noted above to go into effect. It would have a devastating economic impact and would be detrimental to the public's right to use and enjoy our lake.

I am encouraged that the public's comments during the process have been acknowledged by the Corps. Thank you for listening. Please continue to help us protect our rights to use and enjoy our beautiful lake.

Sincerely,

20170826_Schaaf_T-W

Terri Schaaf

From: CESWL-Table Rock Shoreline Management Plan Update <CESWL-TableRockShorelineManagementPlanUpdate@usace.army.mil>
Sent: Tuesday, August 29, 2017 8:23 AM
To: Murphy, Gina L.
Subject: FW: [EXTERNAL] Table Rock Lake Shoreline Management Plan

-----Original Message-----

From: David`Schinkus [<mailto:d.schinkus@gmail.com>]
Sent: Saturday, August 26, 2017 11:03 AM
To: CESWL-Table Rock Shoreline Management Plan Update <CESWL-TableRockShorelineManagementPlanUpdate@usace.army.mil>; savetablerock@gmail.com
Subject: [EXTERNAL] Table Rock Lake Shoreline Management Plan

TO: Corps of Engineers Decision Makers

FROM: David Schinkus

RE: Table Rock Lake Shoreline Management Plan

Dear Corps of Engineers Decision Makers,

I am deeply concerned about the drastic changes that are being proposed in your draft Shoreline Management Plan for Table Rock Lake. The community has been very clear in thousands of public comments submitted that we are opposed to over-regulation. We've asked many times for NO CHANGE to be made to the Plan, but there are several items of major concern:

- I object to the carrying capacity as it limits the right to use the lake.
- I object to tighter restrictions placed upon vegetative management permits.
- I object to the new non-transferable grandfathered vegetative management permit rule.
- I object to financial hardships of removing electricity from the lake.
- I object to only one request every five years for dock modification.
- I object to the 8' depth requirement for any new docks.

I would ask that the Shoreline Management Plan NOT be changed. At the very least, please do not allow the changes noted above to go into effect. It would have a devastating economic impact and would be detrimental to the public's right to use and enjoy our lake.

I am encouraged that the public's comments during the process have been acknowledged by the Corps. Thank you for listening. Please continue to help us protect our rights to use and enjoy our beautiful lake.

Sincerely,

20170826_Schinkus_D-W

David Schinkus

From: CESWL-Table Rock Shoreline Management Plan Update <CESWL-TableRockShorelineManagementPlanUpdate@usace.army.mil>
Sent: Tuesday, August 29, 2017 8:27 AM
To: Murphy, Gina L.
Subject: FW: [EXTERNAL] Table Rock Lake Shoreline Management Plan

-----Original Message-----

From: John`Sherman [<mailto:jwshrmn@gmail.com>]
Sent: Saturday, August 26, 2017 9:33 PM
To: CESWL-Table Rock Shoreline Management Plan Update <CESWL-TableRockShorelineManagementPlanUpdate@usace.army.mil>; savetablerock@gmail.com
Subject: [EXTERNAL] Table Rock Lake Shoreline Management Plan

TO: Corps of Engineers Decision Makers

FROM: John Sherman

RE: Table Rock Lake Shoreline Management Plan

Dear Corps of Engineers Decision Makers,

I am deeply concerned about the drastic changes that are being proposed in your draft Shoreline Management Plan for Table Rock Lake. The community has been very clear in thousands of public comments submitted that we are opposed to over-regulation. We've asked many times for NO CHANGE to be made to the Plan, but there are several items of major concern:

- I object to the carrying capacity as it limits the right to use the lake.
- I object to tighter restrictions placed upon vegetative management permits.
- I object to the new non-transferable grandfathered vegetative management permit rule.
- I object to financial hardships of removing electricity from the lake.
- I object to only one request every five years for dock modification.
- I object to the 8' depth requirement for any new docks.

I would ask that the Shoreline Management Plan NOT be changed. At the very least, please do not allow the changes noted above to go into effect. It would have a devastating economic impact and would be detrimental to the public's right to use and enjoy our lake.

I am also concerned about the potential for hazardous waste from from the storage batteries associated with solar power systems in the event of catastrophic loss of my dock. Finding qualified contractors to service and install solar systems will Alan be a challenge. It's hard enough to find dependable service electrical connectors now.

20170826_Sherman_J-WA

I am encouraged that the public's comments during the process have been acknowledged by the Corps. Thank you for listening. Please continue to help us protect our rights to use and enjoy our beautiful lake.

Sincerely,

John Sherman

From: CESWL-Table Rock Shoreline Management Plan Update <CESWL-TableRockShorelineManagementPlanUpdate@usace.army.mil>
Sent: Tuesday, August 29, 2017 8:24 AM
To: Murphy, Gina L.
Subject: FW: [EXTERNAL] Table Rock Lake Shoreline Management Plan

-----Original Message-----

From: Gary`Shryer [<mailto:sshryer@comcast.net>]
Sent: Saturday, August 26, 2017 3:09 PM
To: CESWL-Table Rock Shoreline Management Plan Update <CESWL-TableRockShorelineManagementPlanUpdate@usace.army.mil>; savetablerock@gmail.com
Subject: [EXTERNAL] Table Rock Lake Shoreline Management Plan

TO: Corps of Engineers Decision Makers

FROM: Gary Shryer

RE: Table Rock Lake Shoreline Management Plan

Dear Corps of Engineers Decision Makers,

I am deeply concerned about the drastic changes that are being proposed in your draft Shoreline Management Plan for Table Rock Lake. The community has been very clear in thousands of public comments submitted that we are opposed to over-regulation. We've asked many times for NO CHANGE to be made to the Plan, but there are several items of major concern:

- I object to the carrying capacity as it limits the right to use the lake.
- I object to tighter restrictions placed upon vegetative management permits.
- I object to the new non-transferable grandfathered vegetative management permit rule.
- I object to financial hardships of removing electricity from the lake.
- I object to only one request every five years for dock modification.
- I object to the 8' depth requirement for any new docks.

I would ask that the Shoreline Management Plan NOT be changed. At the very least, please do not allow the changes noted above to go into effect. It would have a devastating economic impact and would be detrimental to the public's right to use and enjoy our lake.

- I object to the removal of no wake buoys.

I am encouraged that the public's comments during the process have been acknowledged by the Corps. Thank you for listening. Please continue to help us protect our rights to use and enjoy our beautiful lake.

20170826_Shryer_G-WA

Sincerely,

Gary Shryer

From: CESWL-Table Rock Shoreline Management Plan Update <CESWL-TableRockShorelineManagementPlanUpdate@usace.army.mil>
Sent: Tuesday, August 29, 2017 8:24 AM
To: Murphy, Gina L.
Subject: FW: [EXTERNAL] Table Rock Lake Shoreline Management Plan

-----Original Message-----

From: Cliff Smith [<mailto:cmsmitty1930@gmail.com>]
Sent: Saturday, August 26, 2017 3:14 PM
To: CESWL-Table Rock Shoreline Management Plan Update <CESWL-TableRockShorelineManagementPlanUpdate@usace.army.mil>; savetablerock@gmail.com
Subject: [EXTERNAL] Table Rock Lake Shoreline Management Plan

TO: Corps of Engineers Decision Makers

FROM: Cliff Smith

RE: Table Rock Lake Shoreline Management Plan

Dear Corps of Engineers Decision Makers,

I am deeply concerned about the drastic changes that are being proposed in your draft Shoreline Management Plan for Table Rock Lake. The community has been very clear in thousands of public comments submitted that we are opposed to over-regulation. We've asked many times for NO CHANGE to be made to the Plan, but there are several items of major concern:

- I object to the carrying capacity as it limits the right to use the lake.
- I object to tighter restrictions placed upon vegetative management permits.
- I object to the new non-transferable grandfathered vegetative management permit rule.
- I object to financial hardships of removing electricity from the lake.
- I object to only one request every five years for dock modification.
- I object to the 8' depth requirement for any new docks.

I would ask that the Shoreline Management Plan NOT be changed. At the very least, please do not allow the changes noted above to go into effect. It would have a devastating economic impact and would be detrimental to the public's right to use and enjoy our lake.

I am encouraged that the public's comments during the process have been acknowledged by the Corps. Thank you for listening. Please continue to help us protect our rights to use and enjoy our beautiful lake.

Sincerely,

20170826_Smith_C-W

Cliff Smith

From: CESWL-Table Rock Shoreline Management Plan Update <CESWL-TableRockShorelineManagementPlanUpdate@usace.army.mil>
Sent: Tuesday, August 29, 2017 8:23 AM
To: Murphy, Gina L.
Subject: FW: [EXTERNAL] Table Rock Lake Shoreline Management Plan

-----Original Message-----

From: Darlene `Smith [<mailto:darlenesmith1955@gmail.com>]
Sent: Saturday, August 26, 2017 11:28 AM
To: CESWL-Table Rock Shoreline Management Plan Update <CESWL-TableRockShorelineManagementPlanUpdate@usace.army.mil>; savetablerock@gmail.com
Subject: [EXTERNAL] Table Rock Lake Shoreline Management Plan

TO: Corps of Engineers Decision Makers

FROM: Darlene Smith

RE: Table Rock Lake Shoreline Management Plan

Dear Corps of Engineers Decision Makers,

I am deeply concerned about the drastic changes that are being proposed in your draft Shoreline Management Plan for Table Rock Lake. The community has been very clear in thousands of public comments submitted that we are opposed to over-regulation. We've asked many times for NO CHANGE to be made to the Plan, but there are several items of major concern:

- I object to the carrying capacity as it limits the right to use the lake.
- I object to tighter restrictions placed upon vegetative management permits.
- I object to the new non-transferable grandfathered vegetative management permit rule.
- I object to financial hardships of removing electricity from the lake.
- I object to only one request every five years for dock modification.
- I object to the 8' depth requirement for any new docks.

I would ask that the Shoreline Management Plan NOT be changed. At the very least, please do not allow the changes noted above to go into effect. It would have a devastating economic impact and would be detrimental to the public's right to use and enjoy our lake.

I don't feel there needs to be any changes it has worked so far you don't need to fix something that isn't broke it is going to be hardship on everyone so please don't change anything may god bless and have a blessed day

20170826_Smith_D-WA

I am encouraged that the public's comments during the process have been acknowledged by the Corps. Thank you for listening. Please continue to help us protect our rights to use and enjoy our beautiful lake.

Sincerely,

Darlene Smith

From: CESWL-Table Rock Shoreline Management Plan Update <CESWL-TableRockShorelineManagementPlanUpdate@usace.army.mil>
Sent: Tuesday, August 29, 2017 8:26 AM
To: Murphy, Gina L.
Subject: FW: [EXTERNAL] Table Rock Lake Shoreline Management Plan

-----Original Message-----

From: Michael`Steele [<mailto:msteele605@aol.com>]
Sent: Saturday, August 26, 2017 7:13 PM
To: CESWL-Table Rock Shoreline Management Plan Update <CESWL-TableRockShorelineManagementPlanUpdate@usace.army.mil>; savetablerock@gmail.com
Subject: [EXTERNAL] Table Rock Lake Shoreline Management Plan

TO: Corps of Engineers Decision Makers

FROM: Michael Steele

RE: Table Rock Lake Shoreline Management Plan

Dear Corps of Engineers Decision Makers,

I am deeply concerned about the drastic changes that are being proposed in your draft Shoreline Management Plan for Table Rock Lake. The community has been very clear in thousands of public comments submitted that we are opposed to over-regulation. We've asked many times for NO CHANGE to be made to the Plan, but there are several items of major concern:

- I object to the carrying capacity as it limits the right to use the lake.
- I object to tighter restrictions placed upon vegetative management permits.
- I object to the new non-transferable grandfathered vegetative management permit rule.
- I object to financial hardships of removing electricity from the lake.
- I object to only one request every five years for dock modification.
- I object to the 8' depth requirement for any new docks.

I would ask that the Shoreline Management Plan NOT be changed. At the very least, please do not allow the changes noted above to go into effect. It would have a devastating economic impact and would be detrimental to the public's right to use and enjoy our lake.

One of the reasons we purchased a home here was we loved the current balance between maintaining native vegetation, animals, etc and the user friendly lake. If the corp doesn't want to issue any more veg. Mgt. permits, ok, but why effectively recind current permits over time via the non-transfer? The solar

20170826_Steele_M-WA

thing is really odd to me. Why? Electrical hazard? More people are hurt by drinking at the lake, I'm certain.

I am encouraged that the public's comments during the process have been acknowledged by the Corps. Thank you for listening. Please continue to help us protect our rights to use and enjoy our beautiful lake.

Sincerely,

Michael Steele

From: CESWL-Table Rock Shoreline Management Plan Update <CESWL-TableRockShorelineManagementPlanUpdate@usace.army.mil>
Sent: Tuesday, August 29, 2017 8:23 AM
To: Murphy, Gina L.
Subject: FW: [EXTERNAL] Table Rock Lake Shoreline Management Plan

-----Original Message-----

From: Darrell`Stevenson [<mailto:dhstevenson55@aol.com>]
Sent: Saturday, August 26, 2017 11:16 AM
To: CESWL-Table Rock Shoreline Management Plan Update <CESWL-TableRockShorelineManagementPlanUpdate@usace.army.mil>; savetablerock@gmail.com
Subject: [EXTERNAL] Table Rock Lake Shoreline Management Plan

TO: Corps of Engineers Decision Makers

FROM: Darrell Stevenson

RE: Table Rock Lake Shoreline Management Plan

Dear Corps of Engineers Decision Makers,

I am deeply concerned about the drastic changes that are being proposed in your draft Shoreline Management Plan for Table Rock Lake. The community has been very clear in thousands of public comments submitted that we are opposed to over-regulation. We've asked many times for NO CHANGE to be made to the Plan, but there are several items of major concern:

- I object to the carrying capacity as it limits the right to use the lake.
- I object to tighter restrictions placed upon vegetative management permits.
- I object to the new non-transferable grandfathered vegetative management permit rule.
- I object to financial hardships of removing electricity from the lake.
- I object to only one request every five years for dock modification.
- I object to the 8' depth requirement for any new docks.

I would ask that the Shoreline Management Plan NOT be changed. At the very least, please do not allow the changes noted above to go into effect. It would have a devastating economic impact and would be detrimental to the public's right to use and enjoy our lake.

I like Table Rock Lake as it is. I do not feel we need to add 763 more days docks and thousands of more boat slips. I feel the "No Wake" buoys do add safety and help prevent boat and dock damage from large waves. We have kids swimming near those docks. Please do not turn this lake into a Lake of the Ozarks.

20170826_Stevenson_D-WA

I am encouraged that the public's comments during the process have been acknowledged by the Corps. Thank you for listening. Please continue to help us protect our rights to use and enjoy our beautiful lake.

Sincerely,

Darrell Stevenson

From: CESWL-Table Rock Shoreline Management Plan Update <CESWL-TableRockShorelineManagementPlanUpdate@usace.army.mil>
Sent: Tuesday, August 29, 2017 8:26 AM
To: Murphy, Gina L.
Subject: FW: [EXTERNAL] Table Rock Lake Shoreline Management Plan

-----Original Message-----

From: Tammy`Stewart [<mailto:tamwa2@aol.com>]
Sent: Saturday, August 26, 2017 6:25 PM
To: CESWL-Table Rock Shoreline Management Plan Update <CESWL-TableRockShorelineManagementPlanUpdate@usace.army.mil>; savetablerock@gmail.com
Subject: [EXTERNAL] Table Rock Lake Shoreline Management Plan

TO: Corps of Engineers Decision Makers

FROM: Tammy Stewart

RE: Table Rock Lake Shoreline Management Plan

Dear Corps of Engineers Decision Makers,

I am deeply concerned about the drastic changes that are being proposed in your draft Shoreline Management Plan for Table Rock Lake. The community has been very clear in thousands of public comments submitted that we are opposed to over-regulation. We've asked many times for NO CHANGE to be made to the Plan, but there are several items of major concern:

- I object to the carrying capacity as it limits the right to use the lake.
- I object to tighter restrictions placed upon vegetative management permits.
- I object to the new non-transferable grandfathered vegetative management permit rule.
- I object to financial hardships of removing electricity from the lake.
- I object to only one request every five years for dock modification.
- I object to the 8' depth requirement for any new docks.

I would ask that the Shoreline Management Plan NOT be changed. At the very least, please do not allow the changes noted above to go into effect. It would have a devastating economic impact and would be detrimental to the public's right to use and enjoy our lake.

I am encouraged that the public's comments during the process have been acknowledged by the Corps. Thank you for listening. Please continue to help us protect our rights to use and enjoy our beautiful lake.

Sincerely,

20170826_Stewart_T-W

Tammy Stewart

From: CESWL-Table Rock Shoreline Management Plan Update <CESWL-TableRockShorelineManagementPlanUpdate@usace.army.mil>
Sent: Tuesday, August 29, 2017 8:16 AM
To: Murphy, Gina L.
Subject: FW: [EXTERNAL] Table Rock Lake Shoreline Management Plan

-----Original Message-----

From: Gary`Stocks [<mailto:gstocks17@gmail.com>]
Sent: Saturday, August 26, 2017 12:05 AM
To: CESWL-Table Rock Shoreline Management Plan Update <CESWL-TableRockShorelineManagementPlanUpdate@usace.army.mil>; savetablerock@gmail.com
Subject: [EXTERNAL] Table Rock Lake Shoreline Management Plan

TO: Corps of Engineers Decision Makers

FROM: Gary Stocks

RE: Table Rock Lake Shoreline Management Plan

Dear Corps of Engineers Decision Makers,

I am deeply concerned about the drastic changes that are being proposed in your draft Shoreline Management Plan for Table Rock Lake. The community has been very clear in thousands of public comments submitted that we are opposed to over-regulation. We've asked many times for NO CHANGE to be made to the Plan, but there are several items of major concern:

- I object to the carrying capacity as it limits the right to use the lake.
- I object to tighter restrictions placed upon vegetative management permits.
- I object to the new non-transferable grandfathered vegetative management permit rule.
- I object to financial hardships of removing electricity from the lake.
- I object to only one request every five years for dock modification.
- I object to the 8' depth requirement for any new docks.

I would ask that the Shoreline Management Plan NOT be changed. At the very least, please do not allow the changes noted above to go into effect. It would have a devastating economic impact and would be detrimental to the public's right to use and enjoy our lake.

You should entertain dock modifications anytime a dock owner feels it's necessary. Carrying capacity of the lake is not a problem. Over management is.

20170826_Stocks_G-WA

I am encouraged that the public's comments during the process have been acknowledged by the Corps. Thank you for listening. Please continue to help us protect our rights to use and enjoy our beautiful lake.

Sincerely,

Gary Stocks

From: CESWL-Table Rock Shoreline Management Plan Update <CESWL-TableRockShorelineManagementPlanUpdate@usace.army.mil>
Sent: Tuesday, August 29, 2017 8:24 AM
To: Murphy, Gina L.
Subject: FW: [EXTERNAL] Table Rock Lake Shoreline Management Plan

-----Original Message-----

From: Mark Swift [mailto:mark_swift_ks@yahoo.com]
Sent: Saturday, August 26, 2017 1:10 PM
To: CESWL-Table Rock Shoreline Management Plan Update <CESWL-TableRockShorelineManagementPlanUpdate@usace.army.mil>; savetablerock@gmail.com
Subject: [EXTERNAL] Table Rock Lake Shoreline Management Plan

TO: Corps of Engineers Decision Makers

FROM: Mark Swift

RE: Table Rock Lake Shoreline Management Plan

Dear Corps of Engineers Decision Makers,

I am deeply concerned about the drastic changes that are being proposed in your draft Shoreline Management Plan for Table Rock Lake. The community has been very clear in thousands of public comments submitted that we are opposed to over-regulation. We've asked many times for NO CHANGE to be made to the Plan, but there are several items of major concern:

- I object to the carrying capacity as it limits the right to use the lake.
- I object to tighter restrictions placed upon vegetative management permits.
- I object to the new non-transferable grandfathered vegetative management permit rule.
- I object to financial hardships of removing electricity from the lake.
- I object to only one request every five years for dock modification.
- I object to the 8' depth requirement for any new docks.

I would ask that the Shoreline Management Plan NOT be changed. At the very least, please do not allow the changes noted above to go into effect. It would have a devastating economic impact and would be detrimental to the public's right to use and enjoy our lake.

In addition to the above you are directly impacting the value of our homes. Many of us have worked very hard for years to buy a nice home on a lake to spend our retirement on in natural beauty and with access to the water. By access I mean "easy access". We're older, we have health issues but we worked darn hard to earn this time and it is wrong for you to devalue not only our home values but also our

20170826_Swift_M-WA

quality of life. Its bordering on elder abuse with some of these proposed changes. If in fact you decide to push forward on this you should at least grandfather existing docks, Marinas, neighbourhoods etc. It is not right for the government to arbitrarily make changes to things that impact so many people's private lives and plans. I have no doubt that should these proposals move forward the Corps of Engineers will be tied up in court for many years further wasting our tax dollars for doing something that is fundamentally against the will of the people.

I am encouraged that the public's comments during the process have been acknowledged by the Corps. Thank you for listening. Please continue to help us protect our rights to use and enjoy our beautiful lake.

Sincerely,

Mark Swift

From: CESWL-Table Rock Shoreline Management Plan Update <CESWL-TableRockShorelineManagementPlanUpdate@usace.army.mil>
Sent: Tuesday, August 29, 2017 8:22 AM
To: Murphy, Gina L.
Subject: FW: [EXTERNAL] Comments

-----Original Message-----

From: Andy Thiem [<mailto:andythiem@yahoo.com>]
Sent: Saturday, August 26, 2017 9:33 AM
To: CESWL-Table Rock Shoreline Management Plan Update <CESWL-TableRockShorelineManagementPlanUpdate@usace.army.mil>
Subject: [EXTERNAL] Comments

Here is my input:

I like the alternative energy solution and think the amount of time to switch gives dock owners ample time to make changes. You might consider an exemption for the public marinas since they do not allow swimming around the docks and are professionally managed.

I understand the need to balance the ecosystem with lakefront development. Maybe a pay-to-play system could be implemented where trees that are removed from Corp property have to be paid for removal based on circumference. Each tree would levy a removal fee and those fees would be used to pay for the manpower to inspect and assess the fees and the remainder of the fees are put into a program that works to ensure the water quality of the lake is maintained, fines levied to violators, etc. Any clearing of lakefront should also require mitigation of runoff, restriction of pesticides and herbicides, and maybe additional restrictions on commercial development.

For commercial lakefront clearing, maybe a certain percentage of lakefront has to be left alone, say 75% could be cleared and 25% would have to remain natural. Additional requirements for commercial clearing might include planting two trees for every tree cleared on Corp property or additional fees could be levied to cover the cost of additional trees to be planted elsewhere.

I did not see much information in the plan about water quality, runoff, nitrates, sewage and pollution. I would like to see any program that is developed that allows for lakefront development, (which enhances property value), to generate revenue to develop, implement and enforce a water quality program on Table Rock Lake.

Thanks,

20170826_Thiem_A

Andy Thiem

417-598-0305

"Optimism is the faith that leads to achievement. Nothing can be done without hope and confidence" -
Helen Keller

From: CESWL-Table Rock Shoreline Management Plan Update <CESWL-TableRockShorelineManagementPlanUpdate@usace.army.mil>
Sent: Tuesday, August 29, 2017 8:27 AM
To: Murphy, Gina L.
Subject: FW: [EXTERNAL] Table Rock Lake Shoreline Management Plan

-----Original Message-----

From: Gretchen Turnbull [<mailto:gturnbull35@yahoo.com>]
Sent: Saturday, August 26, 2017 10:01 PM
To: CESWL-Table Rock Shoreline Management Plan Update <CESWL-TableRockShorelineManagementPlanUpdate@usace.army.mil>; savetablerock@gmail.com
Subject: [EXTERNAL] Table Rock Lake Shoreline Management Plan

TO: Corps of Engineers Decision Makers

FROM: Gretchen Turnbull

RE: Table Rock Lake Shoreline Management Plan

Dear Corps of Engineers Decision Makers,

I am deeply concerned about the drastic changes that are being proposed in your draft Shoreline Management Plan for Table Rock Lake. The community has been very clear in thousands of public comments submitted that we are opposed to over-regulation. We've asked many times for NO CHANGE to be made to the Plan, but there are several items of major concern:

- I object to the carrying capacity as it limits the right to use the lake.
- I object to tighter restrictions placed upon vegetative management permits.
- I object to the new non-transferable grandfathered vegetative management permit rule.
- I object to financial hardships of removing electricity from the lake.
- I object to only one request every five years for dock modification.
- I object to the 8' depth requirement for any new docks.

I would ask that the Shoreline Management Plan NOT be changed. At the very least, please do not allow the changes noted above to go into effect. It would have a devastating economic impact and would be detrimental to the public's right to use and enjoy our lake.

I strongly object to the lake access and dock maintenance proposals outlined in this plan. I appreciate the Corps need to maintain a safe and environmentally conscious plan to keep our area beautiful, but believe the requirements currently outlined will have a negative impact on surrounding property values and local small businesses which is counter to the original intent of this destination.

20170826_Turnbull_G-WA

I am encouraged that the public's comments during the process have been acknowledged by the Corps. Thank you for listening. Please continue to help us protect our rights to use and enjoy our beautiful lake.

Sincerely,

Gretchen Turnbull

From: CESWL-Table Rock Shoreline Management Plan Update <CESWL-TableRockShorelineManagementPlanUpdate@usace.army.mil>
Sent: Tuesday, August 29, 2017 8:17 AM
To: Murphy, Gina L.
Subject: FW: [EXTERNAL] Table Rock Lake Shoreline Management Plan

-----Original Message-----

From: Charles D`Tutko [<mailto:oktut1@yahoo.com>]
Sent: Saturday, August 26, 2017 9:30 AM
To: CESWL-Table Rock Shoreline Management Plan Update <CESWL-TableRockShorelineManagementPlanUpdate@usace.army.mil>; savetablerock@gmail.com
Subject: [EXTERNAL] Table Rock Lake Shoreline Management Plan

TO: Corps of Engineers Decision Makers

FROM: Charles D Tutko

RE: Table Rock Lake Shoreline Management Plan

Dear Corps of Engineers Decision Makers,

I am deeply concerned about the drastic changes that are being proposed in your draft Shoreline Management Plan for Table Rock Lake. The community has been very clear in thousands of public comments submitted that we are opposed to over-regulation. We've asked many times for NO CHANGE to be made to the Plan, but there are several items of major concern:

- I object to the carrying capacity as it limits the right to use the lake.
- I object to tighter restrictions placed upon vegetative management permits.
- I object to the new non-transferable grandfathered vegetative management permit rule.
- I object to financial hardships of removing electricity from the lake.
- I object to only one request every five years for dock modification.
- I object to the 8' depth requirement for any new docks.

I would ask that the Shoreline Management Plan NOT be changed. At the very least, please do not allow the changes noted above to go into effect. It would have a devastating economic impact and would be detrimental to the public's right to use and enjoy our lake.

We have traveled 500 miles one way for 24 out of the last 25 years to enjoy this beautiful lake. The changes seem a little over the top and would put a hardship on dock owners. Removing the no wake buoys is an asinine move.

20170826_Tutko_C-WA

I am encouraged that the public's comments during the process have been acknowledged by the Corps. Thank you for listening. Please continue to help us protect our rights to use and enjoy our beautiful lake.

Sincerely,

Charles D Tutko

From: CESWL-Table Rock Shoreline Management Plan Update <CESWL-TableRockShorelineManagementPlanUpdate@usace.army.mil>
Sent: Tuesday, August 29, 2017 8:23 AM
To: Murphy, Gina L.
Subject: FW: [EXTERNAL] Table Rock Lake Shoreline Management Plan

-----Original Message-----

From: Elizabeth Wilkinson [<mailto:wilkinsone1980@gmail.com>]
Sent: Saturday, August 26, 2017 10:23 AM
To: CESWL-Table Rock Shoreline Management Plan Update <CESWL-TableRockShorelineManagementPlanUpdate@usace.army.mil>; savetablerock@gmail.com
Subject: [EXTERNAL] Table Rock Lake Shoreline Management Plan

TO: Corps of Engineers Decision Makers

FROM: Elizabeth Wilkinson

RE: Table Rock Lake Shoreline Management Plan

Dear Corps of Engineers Decision Makers,

I am deeply concerned about the drastic changes that are being proposed in your draft Shoreline Management Plan for Table Rock Lake. The community has been very clear in thousands of public comments submitted that we are opposed to over-regulation. We've asked many times for NO CHANGE to be made to the Plan, but there are several items of major concern:

- I object to the carrying capacity as it limits the right to use the lake.
- I object to tighter restrictions placed upon vegetative management permits.
- I object to the new non-transferable grandfathered vegetative management permit rule.
- I object to financial hardships of removing electricity from the lake.
- I object to only one request every five years for dock modification.
- I object to the 8' depth requirement for any new docks.

I would ask that the Shoreline Management Plan NOT be changed. At the very least, please do not allow the changes noted above to go into effect. It would have a devastating economic impact and would be detrimental to the public's right to use and enjoy our lake.

There should be the option of a public vote on this!!

I am encouraged that the public's comments during the process have been acknowledged by the Corps. Thank you for listening. Please continue to help us protect our rights to use and enjoy our beautiful lake.

20170826_Wilkinson_E-WA

Sincerely,

Elizabeth Wilkinson

From: CESWL-Table Rock Shoreline Management Plan Update <CESWL-TableRockShorelineManagementPlanUpdate@usace.army.mil>
Sent: Tuesday, August 29, 2017 8:24 AM
To: Murphy, Gina L.
Subject: FW: [EXTERNAL] Table Rock Lake Shoreline Management Plan

-----Original Message-----

From: wilma`wilkinson [<mailto:w7wilkinson@gmail.com>]
Sent: Saturday, August 26, 2017 2:33 PM
To: CESWL-Table Rock Shoreline Management Plan Update <CESWL-TableRockShorelineManagementPlanUpdate@usace.army.mil>; savetablerock@gmail.com
Subject: [EXTERNAL] Table Rock Lake Shoreline Management Plan

TO: Corps of Engineers Decision Makers

FROM: wilma wilkinson

RE: Table Rock Lake Shoreline Management Plan

Dear Corps of Engineers Decision Makers,

I am deeply concerned about the drastic changes that are being proposed in your draft Shoreline Management Plan for Table Rock Lake. The community has been very clear in thousands of public comments submitted that we are opposed to over-regulation. We've asked many times for NO CHANGE to be made to the Plan, but there are several items of major concern:

- I object to the carrying capacity as it limits the right to use the lake.
- I object to tighter restrictions placed upon vegetative management permits.
- I object to the new non-transferable grandfathered vegetative management permit rule.
- I object to financial hardships of removing electricity from the lake.
- I object to only one request every five years for dock modification.
- I object to the 8' depth requirement for any new docks.

I would ask that the Shoreline Management Plan NOT be changed. At the very least, please do not allow the changes noted above to go into effect. It would have a devastating economic impact and would be detrimental to the public's right to use and enjoy our lake.

I do not understand how some of these items were even considered, as they would only harm not help Table Rock Lake and the people who live around and use the lake. I As a dock owner and lake user for over twenty years, I feel Table Rock's current Shoreline Plan is serving well for all and at this time should not be changed.

20170826_Wilkinson_W-WA

Thank You:
Wilma Wilkinson

I am encouraged that the public's comments during the process have been acknowledged by the Corps. Thank you for listening. Please continue to help us protect our rights to use and enjoy our beautiful lake.

Sincerely,

wilma wilkinson

From: CESWL-Table Rock Shoreline Management Plan Update <CESWL-TableRockShorelineManagementPlanUpdate@usace.army.mil>
Sent: Tuesday, August 29, 2017 8:22 AM
To: Murphy, Gina L.
Subject: FW: [EXTERNAL] Table Rock Lake Shoreline Management Plan

-----Original Message-----

From: Roger `Wood [<mailto:rlw15030@yahoo.com>]
Sent: Saturday, August 26, 2017 9:37 AM
To: CESWL-Table Rock Shoreline Management Plan Update <CESWL-TableRockShorelineManagementPlanUpdate@usace.army.mil>; savetablerock@gmail.com
Subject: [EXTERNAL] Table Rock Lake Shoreline Management Plan

TO: Corps of Engineers Decision Makers

FROM: Roger Wood

RE: Table Rock Lake Shoreline Management Plan

Dear Corps of Engineers Decision Makers,

I am deeply concerned about the drastic changes that are being proposed in your draft Shoreline Management Plan for Table Rock Lake. The community has been very clear in thousands of public comments submitted that we are opposed to over-regulation. We've asked many times for NO CHANGE to be made to the Plan, but there are several items of major concern:

- I object to the carrying capacity as it limits the right to use the lake.
- I object to tighter restrictions placed upon vegetative management permits.
- I object to the new non-transferable grandfathered vegetative management permit rule.
- I object to financial hardships of removing electricity from the lake.
- I object to only one request every five years for dock modification.
- I object to the 8' depth requirement for any new docks.

I would ask that the Shoreline Management Plan NOT be changed. At the very least, please do not allow the changes noted above to go into effect. It would have a devastating economic impact and would be detrimental to the public's right to use and enjoy our lake.

No changes please.

I am encouraged that the public's comments during the process have been acknowledged by the Corps. Thank you for listening. Please continue to help us protect our rights to use and enjoy our beautiful lake.

20170826_Wood_R-W

Sincerely,

Roger Wood

From: CESWL-Table Rock Shoreline Management Plan Update <CESWL-TableRockShorelineManagementPlanUpdate@usace.army.mil>
Sent: Tuesday, August 29, 2017 8:25 AM
To: Murphy, Gina L.
Subject: FW: [EXTERNAL] Table Rock Lake Shoreline Management Plan

-----Original Message-----

From: debra`york [<mailto:debyork54@gmail.com>]
Sent: Saturday, August 26, 2017 4:46 PM
To: CESWL-Table Rock Shoreline Management Plan Update <CESWL-TableRockShorelineManagementPlanUpdate@usace.army.mil>; savetablerock@gmail.com
Subject: [EXTERNAL] Table Rock Lake Shoreline Management Plan

TO: Corps of Engineers Decision Makers

FROM: debra york

RE: Table Rock Lake Shoreline Management Plan

Dear Corps of Engineers Decision Makers,

I am deeply concerned about the drastic changes that are being proposed in your draft Shoreline Management Plan for Table Rock Lake. The community has been very clear in thousands of public comments submitted that we are opposed to over-regulation. We've asked many times for NO CHANGE to be made to the Plan, but there are several items of major concern:

- I object to the carrying capacity as it limits the right to use the lake.
- I object to tighter restrictions placed upon vegetative management permits.
- I object to the new non-transferable grandfathered vegetative management permit rule.
- I object to financial hardships of removing electricity from the lake.
- I object to only one request every five years for dock modification.
- I object to the 8' depth requirement for any new docks.

I would ask that the Shoreline Management Plan NOT be changed. At the very least, please do not allow the changes noted above to go into effect. It would have a devastating economic impact and would be detrimental to the public's right to use and enjoy our lake.

I am encouraged that the public's comments during the process have been acknowledged by the Corps. Thank you for listening. Please continue to help us protect our rights to use and enjoy our beautiful lake.

Sincerely,

20170826_York_D-W

debra york

From: CESWL-Table Rock Shoreline Management Plan Update <CESWL-TableRockShorelineManagementPlanUpdate@usace.army.mil>
Sent: Tuesday, August 29, 2017 8:25 AM
To: Murphy, Gina L.
Subject: FW: [EXTERNAL] Table Rock Lake Shoreline Management Plan

-----Original Message-----

From: Robert `York [<mailto:robyork42@gmail.com>]
Sent: Saturday, August 26, 2017 4:46 PM
To: CESWL-Table Rock Shoreline Management Plan Update <CESWL-TableRockShorelineManagementPlanUpdate@usace.army.mil>; savetablerock@gmail.com
Subject: [EXTERNAL] Table Rock Lake Shoreline Management Plan

TO: Corps of Engineers Decision Makers

FROM: Robert York

RE: Table Rock Lake Shoreline Management Plan

Dear Corps of Engineers Decision Makers,

I am deeply concerned about the drastic changes that are being proposed in your draft Shoreline Management Plan for Table Rock Lake. The community has been very clear in thousands of public comments submitted that we are opposed to over-regulation. We've asked many times for NO CHANGE to be made to the Plan, but there are several items of major concern:

- I object to the carrying capacity as it limits the right to use the lake.
- I object to tighter restrictions placed upon vegetative management permits.
- I object to the new non-transferable grandfathered vegetative management permit rule.
- I object to financial hardships of removing electricity from the lake.
- I object to only one request every five years for dock modification.
- I object to the 8' depth requirement for any new docks.

I would ask that the Shoreline Management Plan NOT be changed. At the very least, please do not allow the changes noted above to go into effect. It would have a devastating economic impact and would be detrimental to the public's right to use and enjoy our lake.

I am encouraged that the public's comments during the process have been acknowledged by the Corps. Thank you for listening. Please continue to help us protect our rights to use and enjoy our beautiful lake.

Sincerely,

20170826_York_R-W

Robert York

From: CESWL-Table Rock Shoreline Management Plan Update <CESWL-TableRockShorelineManagementPlanUpdate@usace.army.mil>
Sent: Tuesday, August 29, 2017 8:22 AM
To: Murphy, Gina L.
Subject: FW: [EXTERNAL] Table Rock Lake Shoreline Management Plan

-----Original Message-----

From: John`Yuhas, MD [<mailto:alex7dr@gmail.com>]
Sent: Saturday, August 26, 2017 10:00 AM
To: CESWL-Table Rock Shoreline Management Plan Update <CESWL-TableRockShorelineManagementPlanUpdate@usace.army.mil>; savetablerock@gmail.com
Subject: [EXTERNAL] Table Rock Lake Shoreline Management Plan

TO: Corps of Engineers Decision Makers

FROM: John Yuhas, MD

RE: Table Rock Lake Shoreline Management Plan

Dear Corps of Engineers Decision Makers,

I am deeply concerned about the drastic changes that are being proposed in your draft Shoreline Management Plan for Table Rock Lake. The community has been very clear in thousands of public comments submitted that we are opposed to over-regulation. We've asked many times for NO CHANGE to be made to the Plan, but there are several items of major concern:

- I object to the carrying capacity as it limits the right to use the lake.
- I object to tighter restrictions placed upon vegetative management permits.
- I object to the new non-transferable grandfathered vegetative management permit rule.
- I object to financial hardships of removing electricity from the lake.
- I object to only one request every five years for dock modification.
- I object to the 8' depth requirement for any new docks.

I would ask that the Shoreline Management Plan NOT be changed. At the very least, please do not allow the changes noted above to go into effect. It would have a devastating economic impact and would be detrimental to the public's right to use and enjoy our lake.

Army Corp of Engineers: I have owned a home on the lake in Shell Knob, MO for 26 years. The changes that are proposed for the Shoreline Management Plan are so drastic that I consider these proposals unfair and unacceptable. Our tax dollars go to fund these activities and to place the extra burdens upon the tax payers with these onerous regulations is beyond belief. I am not opposed to limiting the size of

20170826_Yuhas_J-WA

boats as I find boats over 30 feet long inappropriate for Table Rock Lake and I can see where these large boats contribute to shoreline deterioration. How can you even consider eventually eliminating all "no-wake buoys"? As a matter of public safety, the "no-wake buoys" are absolutely essential. Some may say boats ignore the buoys, but that has not been my observation over 26 years. Mandating solar powered dock electricity places an undue financial and logistic burden upon dock owners and this just can not happen! It is my opinion and belief that the current shoreline regulations are already VERY STRICT and any further tightening of these already strict regulations is unacceptable. After 26 years of being a considerate homeowner on the lake and doing my part to keep the lake environment preserved, your proposed regulations quite frankly are insane. I intend to pursue action by my Congressman and Senators to stop your unwise, unnecessary, and totally illogical drastic changes from being implemented. When common sense is not part of the plan, the plan makes NO SENSE!!! DO NOT ALLOW THESE PROPOSALS TO BE ENACTED!!!!

I am encouraged that the public's comments during the process have been acknowledged by the Corps. Thank you for listening. Please continue to help us protect our rights to use and enjoy our beautiful lake.

Sincerely,

John Yuhas, MD

ATT00001.txt

Here are my comments:

I strongly disagree with the proposed shoreline management plan. I do not agree with the limits on: no wake buoys, the removal of overhead electric lines, limiting slip sizes, limiting the use of golf carts and atv's.

I would recommend to keep the current shoreline plan and enforce it. Give incentives for adjacent shoreline owners to replant native vegetation. Give incentives for the other proposed items but don't mandate them.

John Casey Yunger
86 Trails End
Reeds Spring, MO
417-338-8940

From: CESWL-Table Rock Shoreline Management Plan Update <CESWL-TableRockShorelineManagementPlanUpdate@usace.army.mil>
Sent: Tuesday, August 29, 2017 8:25 AM
To: Murphy, Gina L.
Subject: FW: [EXTERNAL] Table Rock Lake Shoreline Management Plan

-----Original Message-----

From: Myrna &John`Zielke [<mailto:zielkemz@gmail.com>]
Sent: Saturday, August 26, 2017 3:49 PM
To: CESWL-Table Rock Shoreline Management Plan Update <CESWL-TableRockShorelineManagementPlanUpdate@usace.army.mil>; savetablerock@gmail.com
Subject: [EXTERNAL] Table Rock Lake Shoreline Management Plan

TO: Corps of Engineers Decision Makers

FROM: Myrna &John Zielke

RE: Table Rock Lake Shoreline Management Plan

Dear Corps of Engineers Decision Makers,

I am deeply concerned about the drastic changes that are being proposed in your draft Shoreline Management Plan for Table Rock Lake. The community has been very clear in thousands of public comments submitted that we are opposed to over-regulation. We've asked many times for NO CHANGE to be made to the Plan, but there are several items of major concern:

- I object to the carrying capacity as it limits the right to use the lake.
- I object to tighter restrictions placed upon vegetative management permits.
- I object to the new non-transferable grandfathered vegetative management permit rule.
- I object to financial hardships of removing electricity from the lake.
- I object to only one request every five years for dock modification.
- I object to the 8' depth requirement for any new docks.

I would ask that the Shoreline Management Plan NOT be changed. At the very least, please do not allow the changes noted above to go into effect. It would have a devastating economic impact and would be detrimental to the public's right to use and enjoy our lake.

PLEASE PLEASE PLEASE do not change anymore of your laws. We are now trying to live with your CURRENT laws. Please let us enjoy the beautiful Table Rock Lake as is. DON'T DESTROY THE USE OF THIS LAKE. May God Bless you and your good decision to leave as is.

20170826_Zielke_M&J-W

I am encouraged that the public's comments during the process have been acknowledged by the Corps. Thank you for listening. Please continue to help us protect our rights to use and enjoy our beautiful lake.

Sincerely,

Myrna & John Zielke

From: CESWL-Table Rock Shoreline Management Plan Update <CESWL-TableRockShorelineManagementPlanUpdate@usace.army.mil>
Sent: Tuesday, August 29, 2017 8:28 AM
To: Murphy, Gina L.
Subject: FW: [EXTERNAL] Table Rock Lake Shoreline Management Plan

-----Original Message-----

From: Lehman`Alderson [<mailto:la002112@gmail.com>]
Sent: Sunday, August 27, 2017 8:56 AM
To: CESWL-Table Rock Shoreline Management Plan Update <CESWL-TableRockShorelineManagementPlanUpdate@usace.army.mil>; savetablerock@gmail.com
Subject: [EXTERNAL] Table Rock Lake Shoreline Management Plan

TO: Corps of Engineers Decision Makers

FROM: Lehman Alderson

RE: Table Rock Lake Shoreline Management Plan

Dear Corps of Engineers Decision Makers,

I am deeply concerned about the drastic changes that are being proposed in your draft Shoreline Management Plan for Table Rock Lake. The community has been very clear in thousands of public comments submitted that we are opposed to over-regulation. We've asked many times for NO CHANGE to be made to the Plan, but there are several items of major concern:

- I object to the carrying capacity as it limits the right to use the lake.
- I object to tighter restrictions placed upon vegetative management permits.
- I object to the new non-transferable grandfathered vegetative management permit rule.
- I object to financial hardships of removing electricity from the lake.
- I object to only one request every five years for dock modification.
- I object to the 8' depth requirement for any new docks.

I would ask that the Shoreline Management Plan NOT be changed. At the very least, please do not allow the changes noted above to go into effect. It would have a devastating economic impact and would be detrimental to the public's right to use and enjoy our lake.

We enjoy the lake the way it is. It's not perfect, but we decided to live the rest of our lives next to it, and we Love it the way it is.

20170827_Alderson_L-WA

I am encouraged that the public's comments during the process have been acknowledged by the Corps. Thank you for listening. Please continue to help us protect our rights to use and enjoy our beautiful lake.

Sincerely,

Lehman Alderson

From: CESWL-Table Rock Shoreline Management Plan Update <CESWL-TableRockShorelineManagementPlanUpdate@usace.army.mil>
Sent: Tuesday, August 29, 2017 8:34 AM
To: Murphy, Gina L.
Subject: FW: [EXTERNAL] Table Rock Lake Shoreline Management Plan

-----Original Message-----

From: Rebecca`Bach [<mailto:RebeccaJBach@aol.com>]
Sent: Sunday, August 27, 2017 7:48 PM
To: CESWL-Table Rock Shoreline Management Plan Update <CESWL-TableRockShorelineManagementPlanUpdate@usace.army.mil>; savetablerock@gmail.com
Subject: [EXTERNAL] Table Rock Lake Shoreline Management Plan

TO: Corps of Engineers Decision Makers

FROM: Rebecca Bach

RE: Table Rock Lake Shoreline Management Plan

Dear Corps of Engineers Decision Makers,

I am deeply concerned about the drastic changes that are being proposed in your draft Shoreline Management Plan for Table Rock Lake. The community has been very clear in thousands of public comments submitted that we are opposed to over-regulation. We've asked many times for NO CHANGE to be made to the Plan, but there are several items of major concern:

- I object to the carrying capacity as it limits the right to use the lake.
- I object to tighter restrictions placed upon vegetative management permits.
- I object to the new non-transferable grandfathered vegetative management permit rule.
- I object to financial hardships of removing electricity from the lake.
- I object to only one request every five years for dock modification.
- I object to the 8' depth requirement for any new docks.

I would ask that the Shoreline Management Plan NOT be changed. At the very least, please do not allow the changes noted above to go into effect. It would have a devastating economic impact and would be detrimental to the public's right to use and enjoy our lake.

I am encouraged that the public's comments during the process have been acknowledged by the Corps. Thank you for listening. Please continue to help us protect our rights to use and enjoy our beautiful lake.

Sincerely,

20170827_Bach_R-W

Rebecca Bach

From: CESWL-Table Rock Shoreline Management Plan Update <CESWL-TableRockShorelineManagementPlanUpdate@usace.army.mil>
Sent: Tuesday, August 29, 2017 8:33 AM
To: Murphy, Gina L.
Subject: FW: [EXTERNAL] Table Rock Lake Shoreline Management Plan

-----Original Message-----

From: JOSEPH BERAN [<mailto:joseph.beran@gmail.com>]
Sent: Sunday, August 27, 2017 2:31 PM
To: CESWL-Table Rock Shoreline Management Plan Update <CESWL-TableRockShorelineManagementPlanUpdate@usace.army.mil>; savetablerock@gmail.com
Subject: [EXTERNAL] Table Rock Lake Shoreline Management Plan

TO: Corps of Engineers Decision Makers

FROM: JOSEPH BERAN

RE: Table Rock Lake Shoreline Management Plan

Dear Corps of Engineers Decision Makers,

I am deeply concerned about the drastic changes that are being proposed in your draft Shoreline Management Plan for Table Rock Lake. The community has been very clear in thousands of public comments submitted that we are opposed to over-regulation. We've asked many times for NO CHANGE to be made to the Plan, but there are several items of major concern:

- I object to the carrying capacity as it limits the right to use the lake.
- I object to tighter restrictions placed upon vegetative management permits.
- I object to the new non-transferable grandfathered vegetative management permit rule.
- I object to financial hardships of removing electricity from the lake.
- I object to only one request every five years for dock modification.
- I object to the 8' depth requirement for any new docks.

I would ask that the Shoreline Management Plan NOT be changed. At the very least, please do not allow the changes noted above to go into effect. It would have a devastating economic impact and would be detrimental to the public's right to use and enjoy our lake.

I am encouraged that the public's comments during the process have been acknowledged by the Corps. Thank you for listening. Please continue to help us protect our rights to use and enjoy our beautiful lake.

Sincerely,

20170827_Beran_J-W

JOSEPH BERAN

From: CESWL-Table Rock Shoreline Management Plan Update <CESWL-TableRockShorelineManagementPlanUpdate@usace.army.mil>
Sent: Tuesday, August 29, 2017 8:30 AM
To: Murphy, Gina L.
Subject: FW: [EXTERNAL] Shoreline plan feedback

-----Original Message-----

From: Holly Bodnar [<mailto:hjbodnar@yahoo.com>]
Sent: Sunday, August 27, 2017 10:30 AM
To: CESWL-Table Rock Shoreline Management Plan Update <CESWL-TableRockShorelineManagementPlanUpdate@usace.army.mil>
Subject: [EXTERNAL] Shoreline plan feedback

To whom it may concern,

I am opposed to removal of no wake buoys as this would create a significant safety issue on and around docks. I am also opposed to switching to solar power - the benefit does not outweigh the cost and is restrictive to the use of boat lifts which could be a safety concern during times of bad weather. We appreciate efforts to prevent the lake from becoming the next Lake of the Ozarks, but believe the two items above are unnecessary.

Holly Bodnar

Sent from my iPad

20170827_Bodnar_H

From: CESWL-Table Rock Shoreline Management Plan Update <CESWL-TableRockShorelineManagementPlanUpdate@usace.army.mil>
Sent: Tuesday, August 29, 2017 8:29 AM
To: Murphy, Gina L.
Subject: FW: [EXTERNAL] Table Rock Lake Shoreline Management Plan

-----Original Message-----

From: Robert Boehmler [<mailto:rhboehmler@gmail.com>]
Sent: Sunday, August 27, 2017 9:41 AM
To: CESWL-Table Rock Shoreline Management Plan Update <CESWL-TableRockShorelineManagementPlanUpdate@usace.army.mil>; savetablerock@gmail.com
Subject: [EXTERNAL] Table Rock Lake Shoreline Management Plan

TO: Corps of Engineers Decision Makers

FROM: Robert Boehmler

RE: Table Rock Lake Shoreline Management Plan

Dear Corps of Engineers Decision Makers,

I am deeply concerned about the drastic changes that are being proposed in your draft Shoreline Management Plan for Table Rock Lake. The community has been very clear in thousands of public comments submitted that we are opposed to over-regulation. We've asked many times for NO CHANGE to be made to the Plan, but there are several items of major concern:

- I object to the carrying capacity as it limits the right to use the lake.
- I object to tighter restrictions placed upon vegetative management permits.
- I object to the new non-transferable grandfathered vegetative management permit rule.
- I object to financial hardships of removing electricity from the lake.
- I object to only one request every five years for dock modification.
- I object to the 8' depth requirement for any new docks.

I would ask that the Shoreline Management Plan NOT be changed. At the very least, please do not allow the changes noted above to go into effect. It would have a devastating economic impact and would be detrimental to the public's right to use and enjoy our lake.

Our family has enjoyed the benefits of both flood control, and recreation on Table Rock since 1986. So for over 5p years being under the oversight of the Corp has been both constructive, and has been environmentally friendly. These proposed changes are not conducive to finding the appropriate balance with what many residents have experienced over many, many years.

20170827_Boehmler_R-WA

We believe that our Arkansas Senators, Boozman, and Cotton believe in maintaining a healthy relationship for the next 50 years.

Thank you again for reviewing the many responses from those that will be impacted by any proposed changes.

Sincerely,

Bob Boehmler

I am encouraged that the public's comments during the process have been acknowledged by the Corps. Thank you for listening. Please continue to help us protect our rights to use and enjoy our beautiful lake.

Sincerely,

Robert Boehmler

From: CESWL-Table Rock Shoreline Management Plan Update <CESWL-TableRockShorelineManagementPlanUpdate@usace.army.mil>
Sent: Tuesday, August 29, 2017 8:35 AM
To: Murphy, Gina L.
Subject: FW: [EXTERNAL] Table Rock Lake Shoreline Management Plan

-----Original Message-----

From: Caroline`Bond [<mailto:cbond007z@yahoo.com>]
Sent: Sunday, August 27, 2017 9:33 PM
To: CESWL-Table Rock Shoreline Management Plan Update <CESWL-TableRockShorelineManagementPlanUpdate@usace.army.mil>; savetablerock@gmail.com
Subject: [EXTERNAL] Table Rock Lake Shoreline Management Plan

TO: Corps of Engineers Decision Makers

FROM: Caroline Bond

RE: Table Rock Lake Shoreline Management Plan

Dear Corps of Engineers Decision Makers,

I am deeply concerned about the drastic changes that are being proposed in your draft Shoreline Management Plan for Table Rock Lake. The community has been very clear in thousands of public comments submitted that we are opposed to over-regulation. We've asked many times for NO CHANGE to be made to the Plan, but there are several items of major concern:

- I object to the carrying capacity as it limits the right to use the lake.
- I object to tighter restrictions placed upon vegetative management permits.
- I object to the new non-transferable grandfathered vegetative management permit rule.
- I object to financial hardships of removing electricity from the lake.
- I object to only one request every five years for dock modification.
- I object to the 8' depth requirement for any new docks.

I would ask that the Shoreline Management Plan NOT be changed. At the very least, please do not allow the changes noted above to go into effect. It would have a devastating economic impact and would be detrimental to the public's right to use and enjoy our lake.

I am deeply distressed over these proposed changes, we bought our Lakehouse to enjoy as a family gathering place, these new restrictions would make the lake a more dangerous place to take our grandchildren, I oppose more vegetation restrictions or any changes to be made to the existjng plans. I

like it the way it is!! Please leave it alone and allow us to enjoy the beauty of the lake. Don't punish us because of your man powershortage. Thank you!

I am encouraged that the public's comments during the process have been acknowledged by the Corps. Thank you for listening. Please continue to help us protect our rights to use and enjoy our beautiful lake.

Sincerely,

Caroline Bond

From: CESWL-Table Rock Shoreline Management Plan Update <CESWL-TableRockShorelineManagementPlanUpdate@usace.army.mil>
Sent: Tuesday, August 29, 2017 8:33 AM
To: Murphy, Gina L.
Subject: FW: [EXTERNAL] Table Rock Lake Shoreline Management Plan

-----Original Message-----

From: Yvonne`Brubacher [<mailto:gybrubacher@yahoo.com>]
Sent: Sunday, August 27, 2017 4:05 PM
To: CESWL-Table Rock Shoreline Management Plan Update <CESWL-TableRockShorelineManagementPlanUpdate@usace.army.mil>; savetablerock@gmail.com
Subject: [EXTERNAL] Table Rock Lake Shoreline Management Plan

TO: Corps of Engineers Decision Makers

FROM: Yvonne Brubacher

RE: Table Rock Lake Shoreline Management Plan

Dear Corps of Engineers Decision Makers,

I am deeply concerned about the drastic changes that are being proposed in your draft Shoreline Management Plan for Table Rock Lake. The community has been very clear in thousands of public comments submitted that we are opposed to over-regulation. We've asked many times for NO CHANGE to be made to the Plan, but there are several items of major concern:

- I object to the carrying capacity as it limits the right to use the lake.
- I object to tighter restrictions placed upon vegetative management permits.
- I object to the new non-transferable grandfathered vegetative management permit rule.
- I object to financial hardships of removing electricity from the lake.
- I object to only one request every five years for dock modification.
- I object to the 8' depth requirement for any new docks.

I would ask that the Shoreline Management Plan NOT be changed. At the very least, please do not allow the changes noted above to go into effect. It would have a devastating economic impact and would be detrimental to the public's right to use and enjoy our lake.

I would ask that the Core not make any changes at all. We have made all the changes that the Corp has asked us to do, and now you want to make rules that will just ruin the fun of being on the lake. I vote no on all proposed changes.

20170827_Brubacher_Y-W

I am encouraged that the public's comments during the process have been acknowledged by the Corps. Thank you for listening. Please continue to help us protect our rights to use and enjoy our beautiful lake.

Sincerely,

Yvonne Brubacher

From: CESWL-Table Rock Shoreline Management Plan Update <CESWL-TableRockShorelineManagementPlanUpdate@usace.army.mil>
Sent: Tuesday, August 29, 2017 8:27 AM
To: Murphy, Gina L.
Subject: FW: [EXTERNAL] Table Rock Lake Shoreline Management Plan

-----Original Message-----

From: Chris`Carpenter [<mailto:chriscarpenter@kc.rr.com>]
Sent: Sunday, August 27, 2017 6:21 AM
To: CESWL-Table Rock Shoreline Management Plan Update <CESWL-TableRockShorelineManagementPlanUpdate@usace.army.mil>; savetablerock@gmail.com
Subject: [EXTERNAL] Table Rock Lake Shoreline Management Plan

TO: Corps of Engineers Decision Makers

FROM: Chris Carpenter

RE: Table Rock Lake Shoreline Management Plan

Dear Corps of Engineers Decision Makers,

I am deeply concerned about the drastic changes that are being proposed in your draft Shoreline Management Plan for Table Rock Lake. The community has been very clear in thousands of public comments submitted that we are opposed to over-regulation. We've asked many times for NO CHANGE to be made to the Plan, but there are several items of major concern:

- I object to the carrying capacity as it limits the right to use the lake.
- I object to tighter restrictions placed upon vegetative management permits.
- I object to the new non-transferable grandfathered vegetative management permit rule.
- I object to financial hardships of removing electricity from the lake.
- I object to only one request every five years for dock modification.
- I object to the 8' depth requirement for any new docks.

I would ask that the Shoreline Management Plan NOT be changed. At the very least, please do not allow the changes noted above to go into effect. It would have a devastating economic impact and would be detrimental to the public's right to use and enjoy our lake.

I am encouraged that the public's comments during the process have been acknowledged by the Corps. Thank you for listening. Please continue to help us protect our rights to use and enjoy our beautiful lake.

Sincerely,

20170827_Carpenter_C-W

Chris Carpenter

8/27/2017

Duty Ranger

I would like to add the following comments to the proposed 2017 Shore Line Use Plan.

Page 19 line 20, 21, 22

" Submerged trees under dock at 915' can be removed "

What does a dock owner do when water level goes from 900 ft to 936ft, can trees be removed to maintain control of the dock?

Page 26

" Storage lockers must be shown on Engineer Stamped Drawing for the Dock "

Some storage lockers are moveable must a new "Stamped Drawing" be submitted to Corp everytime a locker is moved?

Page 28 v 36

Electrical service must be a renewable source by 2024. this is extremely costly for existing docks or for new docks

Thank you Carl
Cattlet

From: CESWL-Table Rock Shoreline Management Plan Update <CESWL-TableRockShorelineManagementPlanUpdate@usace.army.mil>
Sent: Tuesday, August 29, 2017 8:28 AM
To: Murphy, Gina L.
Subject: FW: [EXTERNAL] Table Rock Lake Shoreline Management Plan

-----Original Message-----

From: Carolea`Clingan [<mailto:caroleaclingan@sbcglobal.net>]
Sent: Sunday, August 27, 2017 7:54 AM
To: CESWL-Table Rock Shoreline Management Plan Update <CESWL-TableRockShorelineManagementPlanUpdate@usace.army.mil>; savetablerock@gmail.com
Subject: [EXTERNAL] Table Rock Lake Shoreline Management Plan

TO: Corps of Engineers Decision Makers

FROM: Carolea Clingan

RE: Table Rock Lake Shoreline Management Plan

Dear Corps of Engineers Decision Makers,

I am deeply concerned about the drastic changes that are being proposed in your draft Shoreline Management Plan for Table Rock Lake. The community has been very clear in thousands of public comments submitted that we are opposed to over-regulation. We've asked many times for NO CHANGE to be made to the Plan, but there are several items of major concern:

- I object to the carrying capacity as it limits the right to use the lake.
- I object to tighter restrictions placed upon vegetative management permits.
- I object to the new non-transferable grandfathered vegetative management permit rule.
- I object to financial hardships of removing electricity from the lake.
- I object to only one request every five years for dock modification.
- I object to the 8' depth requirement for any new docks.

I would ask that the Shoreline Management Plan NOT be changed. At the very least, please do not allow the changes noted above to go into effect. It would have a devastating economic impact and would be detrimental to the public's right to use and enjoy our lake.

This change would put financial hardships on a lot of dock owners, including my own family & so many friends. Please, don't change! And if you do want change, how about restricting sizes of boats on our beautiful fresh water lakes. Lately in the past few years I have seen huge boats that look like they belong in the ocean, and not on the lake. It's frightening to be in a smaller boat when these huge boats motor

20170827_Clingan_C-WA

by. And when they do, they have no concern for smaller boats that may be tipped over by their ocean size waves. It can be very scary when they drive by, fast or slow, I wish they would all go back to Lake of the Ozarks! Table Rock Lake is more of a family lake, and I love it!

I am encouraged that the public's comments during the process have been acknowledged by the Corps. Thank you for listening. Please continue to help us protect our rights to use and enjoy our beautiful lake.

Sincerely,

Carolea Clingan

From: CESWL-Table Rock Shoreline Management Plan Update <CESWL-TableRockShorelineManagementPlanUpdate@usace.army.mil>
Sent: Tuesday, August 29, 2017 8:35 AM
To: Murphy, Gina L.
Subject: FW: [EXTERNAL] Table Rock Lake Shoreline Management Plan

-----Original Message-----

From: Randy`Combs [mailto:combs_stl@yahoo.com]
Sent: Sunday, August 27, 2017 10:21 PM
To: CESWL-Table Rock Shoreline Management Plan Update <CESWL-TableRockShorelineManagementPlanUpdate@usace.army.mil>; savetablerock@gmail.com
Subject: [EXTERNAL] Table Rock Lake Shoreline Management Plan

TO: Corps of Engineers Decision Makers

FROM: Randy Combs

RE: Table Rock Lake Shoreline Management Plan

Dear Corps of Engineers Decision Makers,

I am deeply concerned about the drastic changes that are being proposed in your draft Shoreline Management Plan for Table Rock Lake. The community has been very clear in thousands of public comments submitted that we are opposed to over-regulation. We've asked many times for NO CHANGE to be made to the Plan, but there are several items of major concern:

- I object to the carrying capacity as it limits the right to use the lake.
- I object to tighter restrictions placed upon vegetative management permits.
- I object to the new non-transferable grandfathered vegetative management permit rule.
- I object to financial hardships of removing electricity from the lake.
- I object to only one request every five years for dock modification.
- I object to the 8' depth requirement for any new docks.

I would ask that the Shoreline Management Plan NOT be changed. At the very least, please do not allow the changes noted above to go into effect. It would have a devastating economic impact and would be detrimental to the public's right to use and enjoy our lake.

I am encouraged that the public's comments during the process have been acknowledged by the Corps. Thank you for listening. Please continue to help us protect our rights to use and enjoy our beautiful lake.

Sincerely,

20170827_Combs_R-W

Randy Combs

From: CESWL-Table Rock Shoreline Management Plan Update <CESWL-TableRockShorelineManagementPlanUpdate@usace.army.mil>
Sent: Tuesday, August 29, 2017 8:31 AM
To: Murphy, Gina L.
Subject: FW: [EXTERNAL] Table Rock Lake Shoreline Management Plan

-----Original Message-----

From: Bonnie Costello [<mailto:costellobonnie@att.net>]
Sent: Sunday, August 27, 2017 11:14 AM
To: CESWL-Table Rock Shoreline Management Plan Update <CESWL-TableRockShorelineManagementPlanUpdate@usace.army.mil>; savetablerock@gmail.com
Subject: [EXTERNAL] Table Rock Lake Shoreline Management Plan

TO: Corps of Engineers Decision Makers

FROM: Bonnie Costello

RE: Table Rock Lake Shoreline Management Plan

Dear Corps of Engineers Decision Makers,

I am deeply concerned about the drastic changes that are being proposed in your draft Shoreline Management Plan for Table Rock Lake. The community has been very clear in thousands of public comments submitted that we are opposed to over-regulation. We've asked many times for NO CHANGE to be made to the Plan, but there are several items of major concern:

- I object to the carrying capacity as it limits the right to use the lake.
- I object to tighter restrictions placed upon vegetative management permits.
- I object to the new non-transferable grandfathered vegetative management permit rule.
- I object to financial hardships of removing electricity from the lake.
- I object to only one request every five years for dock modification.
- I object to the 8' depth requirement for any new docks.

I would ask that the Shoreline Management Plan NOT be changed. At the very least, please do not allow the changes noted above to go into effect. It would have a devastating economic impact and would be detrimental to the public's right to use and enjoy our lake.

I am encouraged that the public's comments during the process have been acknowledged by the Corps. Thank you for listening. Please continue to help us protect our rights to use and enjoy our beautiful lake.

Sincerely,

20170827_Costello_B-W

Bonnie Costello

From: CESWL-Table Rock Shoreline Management Plan Update <CESWL-TableRockShorelineManagementPlanUpdate@usace.army.mil>
Sent: Tuesday, August 29, 2017 8:29 AM
To: Murphy, Gina L.
Subject: FW: [EXTERNAL] Table Rock Lake Shoreline Management Plan

-----Original Message-----

From: Tom D'Alessandro [<mailto:tad4804@gmail.com>]
Sent: Sunday, August 27, 2017 10:21 AM
To: CESWL-Table Rock Shoreline Management Plan Update <CESWL-TableRockShorelineManagementPlanUpdate@usace.army.mil>; savetablerock@gmail.com
Subject: [EXTERNAL] Table Rock Lake Shoreline Management Plan

TO: Corps of Engineers Decision Makers

FROM: Tom D'Alessandro

RE: Table Rock Lake Shoreline Management Plan

Dear Corps of Engineers Decision Makers,

I am deeply concerned about the drastic changes that are being proposed in your draft Shoreline Management Plan for Table Rock Lake. The community has been very clear in thousands of public comments submitted that we are opposed to over-regulation. We've asked many times for NO CHANGE to be made to the Plan, but there are several items of major concern:

- I object to the carrying capacity as it limits the right to use the lake.
- I object to tighter restrictions placed upon vegetative management permits.
- I object to the new non-transferable grandfathered vegetative management permit rule.
- I object to financial hardships of removing electricity from the lake.
- I object to only one request every five years for dock modification.
- I object to the 8' depth requirement for any new docks.

I would ask that the Shoreline Management Plan NOT be changed. At the very least, please do not allow the changes noted above to go into effect. It would have a devastating economic impact and would be detrimental to the public's right to use and enjoy our lake.

I would ask that there be a return to the intent of the existing rules. New is not always better, old is not always a bad thing.

20170827_D'Alessandro_T-WA

I am encouraged that the public's comments during the process have been acknowledged by the Corps. Thank you for listening. Please continue to help us protect our rights to use and enjoy our beautiful lake.

Sincerely,

Tom D'Alessandro

From: CESWL-Table Rock Shoreline Management Plan Update <CESWL-TableRockShorelineManagementPlanUpdate@usace.army.mil>
Sent: Tuesday, August 29, 2017 8:29 AM
To: Murphy, Gina L.
Subject: FW: [EXTERNAL] Table Rock Lake Shoreline Management Plan

-----Original Message-----

From: John`Dollarhite [<mailto:john.dollarhite@gmail.com>]
Sent: Sunday, August 27, 2017 9:54 AM
To: CESWL-Table Rock Shoreline Management Plan Update <CESWL-TableRockShorelineManagementPlanUpdate@usace.army.mil>; savetablerock@gmail.com
Subject: [EXTERNAL] Table Rock Lake Shoreline Management Plan

TO: Corps of Engineers Decision Makers

FROM: John Dollarhite

RE: Table Rock Lake Shoreline Management Plan

Dear Corps of Engineers Decision Makers,

I am deeply concerned about the drastic changes that are being proposed in your draft Shoreline Management Plan for Table Rock Lake. The community has been very clear in thousands of public comments submitted that we are opposed to over-regulation. We've asked many times for NO CHANGE to be made to the Plan, but there are several items of major concern:

- I object to the carrying capacity as it limits the right to use the lake.
- I object to tighter restrictions placed upon vegetative management permits.
- I object to the new non-transferable grandfathered vegetative management permit rule.
- I object to financial hardships of removing electricity from the lake.
- I object to only one request every five years for dock modification.
- I object to the 8' depth requirement for any new docks.

I would ask that the Shoreline Management Plan NOT be changed. At the very least, please do not allow the changes noted above to go into effect. It would have a devastating economic impact and would be detrimental to the public's right to use and enjoy our lake.

1st....This lake is owned by the people of Missouri and Arkansas not you !!!

2nd...We the people employ you to maintain the lake level, which you have not been doing.

20170827_Dollarhite_J-WA

I am encouraged that the public's comments during the process have been acknowledged by the Corps. Thank you for listening. Please continue to help us protect our rights to use and enjoy our beautiful lake.

Sincerely,

John Dollarhite

From: CESWL-Table Rock Shoreline Management Plan Update <CESWL-TableRockShorelineManagementPlanUpdate@usace.army.mil>
Sent: Tuesday, August 29, 2017 8:32 AM
To: Murphy, Gina L.
Subject: FW: [EXTERNAL] Table Rock shoreline mgmt plan

-----Original Message-----

From: James Edwards [<mailto:spd799@gmail.com>]
Sent: Sunday, August 27, 2017 12:24 PM
To: CESWL-Table Rock Shoreline Management Plan Update <CESWL-TableRockShorelineManagementPlanUpdate@usace.army.mil>
Subject: [EXTERNAL] Table Rock shoreline mgmt plan

Don't like it. Period.

From: CESWL-Table Rock Shoreline Management Plan Update <CESWL-TableRockShorelineManagementPlanUpdate@usace.army.mil>
Sent: Tuesday, August 29, 2017 8:28 AM
To: Murphy, Gina L.
Subject: FW: [EXTERNAL] Table Rock Lake Shoreline Management Plan

-----Original Message-----

From: Joseph`Gabriel [<mailto:onefinerep@gmail.com>]
Sent: Sunday, August 27, 2017 8:49 AM
To: CESWL-Table Rock Shoreline Management Plan Update <CESWL-TableRockShorelineManagementPlanUpdate@usace.army.mil>; savetablerock@gmail.com
Subject: [EXTERNAL] Table Rock Lake Shoreline Management Plan

TO: Corps of Engineers Decision Makers

FROM: Joseph Gabriel

RE: Table Rock Lake Shoreline Management Plan

Dear Corps of Engineers Decision Makers,

I am deeply concerned about the drastic changes that are being proposed in your draft Shoreline Management Plan for Table Rock Lake. The community has been very clear in thousands of public comments submitted that we are opposed to over-regulation. We've asked many times for NO CHANGE to be made to the Plan, but there are several items of major concern:

- I object to the carrying capacity as it limits the right to use the lake.
- I object to tighter restrictions placed upon vegetative management permits.
- I object to the new non-transferable grandfathered vegetative management permit rule.
- I object to financial hardships of removing electricity from the lake.
- I object to only one request every five years for dock modification.
- I object to the 8' depth requirement for any new docks.

I would ask that the Shoreline Management Plan NOT be changed. At the very least, please do not allow the changes noted above to go into effect. It would have a devastating economic impact and would be detrimental to the public's right to use and enjoy our lake.

I am encouraged that the public's comments during the process have been acknowledged by the Corps. Thank you for listening. Please continue to help us protect our rights to use and enjoy our beautiful lake.

Sincerely,

20170827_Garbriel_J-WA

Joseph Gabriel

From: CESWL-Table Rock Shoreline Management Plan Update <CESWL-TableRockShorelineManagementPlanUpdate@usace.army.mil>
Sent: Tuesday, August 29, 2017 8:33 AM
To: Murphy, Gina L.
Subject: FW: [EXTERNAL] Table Rock Lake Shoreline Management Plan

-----Original Message-----

From: Ron Hanner [<mailto:rmhanner@aol.com>]
Sent: Sunday, August 27, 2017 7:14 PM
To: CESWL-Table Rock Shoreline Management Plan Update <CESWL-TableRockShorelineManagementPlanUpdate@usace.army.mil>; savetablerock@gmail.com
Subject: [EXTERNAL] Table Rock Lake Shoreline Management Plan

TO: Corps of Engineers Decision Makers

FROM: Ron Hanner

RE: Table Rock Lake Shoreline Management Plan

Dear Corps of Engineers Decision Makers,

I am deeply concerned about the drastic changes that are being proposed in your draft Shoreline Management Plan for Table Rock Lake. The community has been very clear in thousands of public comments submitted that we are opposed to over-regulation. We've asked many times for NO CHANGE to be made to the Plan, but there are several items of major concern:

- I object to the carrying capacity as it limits the right to use the lake.
- I object to tighter restrictions placed upon vegetative management permits.
- I object to the new non-transferable grandfathered vegetative management permit rule.
- I object to financial hardships of removing electricity from the lake.
- I object to only one request every five years for dock modification.
- I object to the 8' depth requirement for any new docks.

I would ask that the Shoreline Management Plan NOT be changed. At the very least, please do not allow the changes noted above to go into effect. It would have a devastating economic impact and would be detrimental to the public's right to use and enjoy our lake.

The above mentioned items make no sense and will cost us dock owners thousands of dollars and for no good reason. I object to your proposal for no parking near a private or community dock, how do you expect people to transport there things to the dock and return from a day on the lake and get there things back to there home? I also object to boats with porta potties not allowed. We are just as

20170827_Hanner_R-WA

responsible as those who are in a marina. Many of your proposals discriminates against all private and community slip owners compared to those in the marinas. Carring capacity of the lake, there is no way anyone can enforce this proposal, Why would you restrict the use of a public lake that belongs to all of us.

Your present Shoreline Management Plan is working just fine, I suggest you not change it. It has done very well for many years.

I am encouraged that the public's comments during the process have been acknowledged by the Corps. Thank you for listening. Please continue to help us protect our rights to use and enjoy our beautiful lake.

Sincerely,

Ron Hanner

Paul Hasty, Jr. & Elaine Hasty

8137 Deer Run Street
Lenexa, KS 66220
Telephone: (913) 681-8538

August 27, 2017

U. S. Army Corps of Engineers
Little Rock District Public Affairs
Box 867
Little Rock, AR. 72203-0867

Re: Table Rock Lake

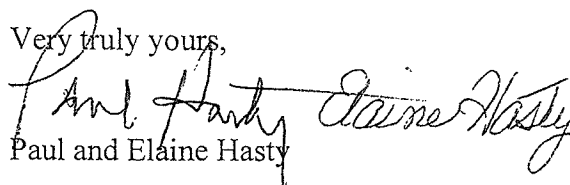
Dear Ladies and Gentlemen:

We own property at Table Rock Lake and understand you have under consideration a plan to restrict utilization of the lake. We enjoy the lake and value our time there and appreciate that the regulation of the lake is necessary to preserve the environment and to keep the lake enjoyable for all of us. However, the plan you have under consideration, in our opinion, involves over regulation and unreasonable restriction of the lake utilization. We have the following areas of particular concern:

1. We understand that "idle speed" bouys in coves containing private docks are a restriction for and somewhat of a hazard to navigation. However, in our opinion, their usefulness and importance outweigh the considerations for removing them. A large number of citizens have not only invested considerable resources in docks, lifts, and boats that are protected by restricting the wakes in the area, the bouys are a reminder to control speed as a safety measure. There are many swimmers that swim off the docks and boats at more than idle speed pose a significant danger. If the issue is one of unlighted bouys, we suspect there would be little difficulty in requiring all such bouys be lighted. Solar lighting is feasible for them. Solar lighting is much more desireable than injuries to the adults and children in the water. We suggest that the current regulations with regard to such bouys in smaller coves are just fine.

2. We suggest that the proposed restriction on electrical lines is both unreasonable and unworkable. While solar energy is an option for the light at the end of the dock, it is not an option for electrically powered boat lifts. There is not a practical way to install a solar system on a boat dock that will power 16 electrically operated boat lifts. In addition, there are significant safety concerns about such a system because it would involve a number of batteries and a way to transfer the power from batteries to a 120 volt grid for the dock. Any short would create the same hazard that now exists with electrical lines to the dock. Certainly, all such electrical lines and boxes must be installed in such a way that they cannot get in the water, no matter what the lake level might be on a particular day and we suspect there is no objection to such regulations and restrictions. We understand that inspection of the docks is somewhat of a burden on your operations, but with the docks being 100% inspected on that lake, that is a reasonable solution and reasonable level of safety. It seems to us that the same level of inspections would be necessary of all the docks had a solar and battery system. Responsible dock owners currently must have a system in place to move the dock and maintain electrical equipment and service and that is the way it should be. If any dock owner is not being responsible, the that dock owner should not have a permit. The proposed restriction would, as a practical matter, result in the docks simply not having electrical service. Such a restriction is unreasonable.

Thank you for your consideration.

Very truly yours,

Paul and Elaine Hasty

From: CESWL-Table Rock Shoreline Management Plan Update <CESWL-TableRockShorelineManagementPlanUpdate@usace.army.mil>
Sent: Tuesday, August 29, 2017 8:32 AM
To: Murphy, Gina L.
Subject: FW: [EXTERNAL] Table Rock Lake Shoreline Management Plan

-----Original Message-----

From: John`Hess [<mailto:j.b.hess@sbcglobal.net>]
Sent: Sunday, August 27, 2017 12:48 PM
To: CESWL-Table Rock Shoreline Management Plan Update <CESWL-TableRockShorelineManagementPlanUpdate@usace.army.mil>; savetablerock@gmail.com
Subject: [EXTERNAL] Table Rock Lake Shoreline Management Plan

TO: Corps of Engineers Decision Makers

FROM: John Hess

RE: Table Rock Lake Shoreline Management Plan

Dear Corps of Engineers Decision Makers,

I am deeply concerned about the drastic changes that are being proposed in your draft Shoreline Management Plan for Table Rock Lake. The community has been very clear in thousands of public comments submitted that we are opposed to over-regulation. We've asked many times for NO CHANGE to be made to the Plan, but there are several items of major concern:

- I object to the carrying capacity as it limits the right to use the lake.
- I object to tighter restrictions placed upon vegetative management permits.
- I object to the new non-transferable grandfathered vegetative management permit rule.
- I object to financial hardships of removing electricity from the lake.
- I object to only one request every five years for dock modification.
- I object to the 8' depth requirement for any new docks.

I would ask that the Shoreline Management Plan NOT be changed. At the very least, please do not allow the changes noted above to go into effect. It would have a devastating economic impact and would be detrimental to the public's right to use and enjoy our lake.

We have been enjoying Table Rock Lake since 1970. We have a dock slip and have not seen any problems with overcrowding on docks or the lake, and do not think the corp should get into managing the vegetative areas around docks. The Corps has done a good job to date and Table Rock is a jewel for the area. Please do not ruin a good thing.

20170827_Hess_J-WA

I am encouraged that the public's comments during the process have been acknowledged by the Corps. Thank you for listening. Please continue to help us protect our rights to use and enjoy our beautiful lake.

Sincerely,

John Hess

From: CESWL-Table Rock Shoreline Management Plan Update <CESWL-TableRockShorelineManagementPlanUpdate@usace.army.mil>
Sent: Tuesday, August 29, 2017 8:29 AM
To: Murphy, Gina L.
Subject: FW: [EXTERNAL] Table Rock Lake Shoreline Management Plan

-----Original Message-----

From: Patrick`Holland [<mailto:psholland56@gmail.com>]
Sent: Sunday, August 27, 2017 10:04 AM
To: CESWL-Table Rock Shoreline Management Plan Update <CESWL-TableRockShorelineManagementPlanUpdate@usace.army.mil>; savetablerock@gmail.com
Subject: [EXTERNAL] Table Rock Lake Shoreline Management Plan

TO: Corps of Engineers Decision Makers

FROM: Patrick Holland

RE: Table Rock Lake Shoreline Management Plan

Dear Corps of Engineers Decision Makers,

I am deeply concerned about the drastic changes that are being proposed in your draft Shoreline Management Plan for Table Rock Lake. The community has been very clear in thousands of public comments submitted that we are opposed to over-regulation. We've asked many times for NO CHANGE to be made to the Plan, but there are several items of major concern:

- I object to the carrying capacity as it limits the right to use the lake.
- I object to tighter restrictions placed upon vegetative management permits.
- I object to the new non-transferable grandfathered vegetative management permit rule.
- I object to financial hardships of removing electricity from the lake.
- I object to only one request every five years for dock modification.
- I object to the 8' depth requirement for any new docks.

I would ask that the Shoreline Management Plan NOT be changed. At the very least, please do not allow the changes noted above to go into effect. It would have a devastating economic impact and would be detrimental to the public's right to use and enjoy our lake.

The whole sounds to me like it's the brain child of some liberal greenpeace treehugger who has no concern at all for the people who use and live on the lake and are only concerned with advancing their own agenda. I doubt if the designer of this plan even lives on or around the lake.

20170827_Holland_P-WA

I am encouraged that the public's comments during the process have been acknowledged by the Corps. Thank you for listening. Please continue to help us protect our rights to use and enjoy our beautiful lake.

Sincerely,

Patrick Holland

From: CESWL-Table Rock Shoreline Management Plan Update <CESWL-TableRockShorelineManagementPlanUpdate@usace.army.mil>
Sent: Tuesday, August 29, 2017 8:35 AM
To: Murphy, Gina L.
Subject: FW: [EXTERNAL] Table Rock Lake Shoreline Management Plan

-----Original Message-----

From: Liz`Humble [<mailto:liz.humble@me.com>]
Sent: Sunday, August 27, 2017 9:41 PM
To: CESWL-Table Rock Shoreline Management Plan Update <CESWL-TableRockShorelineManagementPlanUpdate@usace.army.mil>; savetablerock@gmail.com
Subject: [EXTERNAL] Table Rock Lake Shoreline Management Plan

TO: Corps of Engineers Decision Makers

FROM: Liz Humble

RE: Table Rock Lake Shoreline Management Plan

Dear Corps of Engineers Decision Makers,

I am deeply concerned about the drastic changes that are being proposed in your draft Shoreline Management Plan for Table Rock Lake. The community has been very clear in thousands of public comments submitted that we are opposed to over-regulation. We've asked many times for NO CHANGE to be made to the Plan, but there are several items of major concern:

- I object to the carrying capacity as it limits the right to use the lake.
- I object to tighter restrictions placed upon vegetative management permits.
- I object to the new non-transferable grandfathered vegetative management permit rule.
- I object to financial hardships of removing electricity from the lake.
- I object to only one request every five years for dock modification.
- I object to the 8' depth requirement for any new docks.

I would ask that the Shoreline Management Plan NOT be changed. At the very least, please do not allow the changes noted above to go into effect. It would have a devastating economic impact and would be detrimental to the public's right to use and enjoy our lake.

I am encouraged that the public's comments during the process have been acknowledged by the Corps. Thank you for listening. Please continue to help us protect our rights to use and enjoy our beautiful lake.

Sincerely,

20170827_Humble_L-W

Liz Humble

From: CESWL-Table Rock Shoreline Management Plan Update <CESWL-TableRockShorelineManagementPlanUpdate@usace.army.mil>
Sent: Tuesday, August 29, 2017 8:31 AM
To: Murphy, Gina L.
Subject: FW: [EXTERNAL] Table Rock Lake Shoreline Management Plan

-----Original Message-----

From: Jim`Joseph [<mailto:jjoseph12@cox.net>]
Sent: Sunday, August 27, 2017 11:04 AM
To: CESWL-Table Rock Shoreline Management Plan Update <CESWL-TableRockShorelineManagementPlanUpdate@usace.army.mil>; savetablerock@gmail.com
Subject: [EXTERNAL] Table Rock Lake Shoreline Management Plan

TO: Corps of Engineers Decision Makers

FROM: Jim Joseph

RE: Table Rock Lake Shoreline Management Plan

Dear Corps of Engineers Decision Makers,

I am deeply concerned about the drastic changes that are being proposed in your draft Shoreline Management Plan for Table Rock Lake. The community has been very clear in thousands of public comments submitted that we are opposed to over-regulation. We've asked many times for NO CHANGE to be made to the Plan, but there are several items of major concern:

- I object to the carrying capacity as it limits the right to use the lake.
- I object to tighter restrictions placed upon vegetative management permits.
- I object to the new non-transferable grandfathered vegetative management permit rule.
- I object to financial hardships of removing electricity from the lake.
- I object to only one request every five years for dock modification.
- I object to the 8' depth requirement for any new docks.

I would ask that the Shoreline Management Plan NOT be changed. At the very least, please do not allow the changes noted above to go into effect. It would have a devastating economic impact and would be detrimental to the public's right to use and enjoy our lake.

I am encouraged that the public's comments during the process have been acknowledged by the Corps. Thank you for listening. Please continue to help us protect our rights to use and enjoy our beautiful lake.

Sincerely,

20170827_Joseph_J-W

Jim Joseph

August 27, 2017

To Whom it May Concern:

We own a small cabin/house on TableRock Lake. We now have concerns due to the corps's new management plan.

We have always thought the lake was for "the people". It seems that the new plan that someone thought up changes all of that. The plan at present is already very restrictive, so why add more costly restrictions.

I do not understand all the legalese language. But, I do get the gist of too much government involvement. My suggestion, leave the present plan in place. It's not broken.

Sincerely,

Cynthia Knight
25525 FR 1210
Cassville, MO 65625

A handwritten signature in cursive script that reads "Cynthia J. Knight".

417-335-0994
cjknight66@gmail.com

From: CESWL-Table Rock Shoreline Management Plan Update <CESWL-TableRockShorelineManagementPlanUpdate@usace.army.mil>
Sent: Tuesday, August 29, 2017 8:32 AM
To: Murphy, Gina L.
Subject: FW: [EXTERNAL] Table Rock Lake Shoreline Management Plan

-----Original Message-----

From: Dennis`Koesters [<mailto:DennyKoesters@msn.com>]
Sent: Sunday, August 27, 2017 1:06 PM
To: CESWL-Table Rock Shoreline Management Plan Update <CESWL-TableRockShorelineManagementPlanUpdate@usace.army.mil>; savetablerock@gmail.com
Subject: [EXTERNAL] Table Rock Lake Shoreline Management Plan

TO: Corps of Engineers Decision Makers

FROM: Dennis Koesters

RE: Table Rock Lake Shoreline Management Plan

Dear Corps of Engineers Decision Makers,

I am deeply concerned about the drastic changes that are being proposed in your draft Shoreline Management Plan for Table Rock Lake. The community has been very clear in thousands of public comments submitted that we are opposed to over-regulation. We've asked many times for NO CHANGE to be made to the Plan, but there are several items of major concern:

- I object to the carrying capacity as it limits the right to use the lake.
- I object to tighter restrictions placed upon vegetative management permits.
- I object to the new non-transferable grandfathered vegetative management permit rule.
- I object to financial hardships of removing electricity from the lake.
- I object to only one request every five years for dock modification.
- I object to the 8' depth requirement for any new docks.

I would ask that the Shoreline Management Plan NOT be changed. At the very least, please do not allow the changes noted above to go into effect. It would have a devastating economic impact and would be detrimental to the public's right to use and enjoy our lake.

I am encouraged that the public's comments during the process have been acknowledged by the Corps. Thank you for listening. Please continue to help us protect our rights to use and enjoy our beautiful lake.

Sincerely,

20170827_Koesters_D-W

Dennis Koesters

From: CESWL-Table Rock Shoreline Management Plan Update <CESWL-TableRockShorelineManagementPlanUpdate@usace.army.mil>
Sent: Tuesday, August 29, 2017 8:36 AM
To: Murphy, Gina L.
Subject: FW: [EXTERNAL] Table Rock Lake Shoreline Management Plan

-----Original Message-----

From: Steven`Molumby [<mailto:smolumby@yahoo.com>]
Sent: Sunday, August 27, 2017 11:05 PM
To: CESWL-Table Rock Shoreline Management Plan Update <CESWL-TableRockShorelineManagementPlanUpdate@usace.army.mil>; savetablerock@gmail.com
Subject: [EXTERNAL] Table Rock Lake Shoreline Management Plan

TO: Corps of Engineers Decision Makers

FROM: Steven Molumby

RE: Table Rock Lake Shoreline Management Plan

Dear Corps of Engineers Decision Makers,

I am deeply concerned about the drastic changes that are being proposed in your draft Shoreline Management Plan for Table Rock Lake. The community has been very clear in thousands of public comments submitted that we are opposed to over-regulation. We've asked many times for NO CHANGE to be made to the Plan, but there are several items of major concern:

- I object to the carrying capacity as it limits the right to use the lake.
- I object to tighter restrictions placed upon vegetative management permits.
- I object to the new non-transferable grandfathered vegetative management permit rule.
- I object to financial hardships of removing electricity from the lake.
- I object to only one request every five years for dock modification.
- I object to the 8' depth requirement for any new docks.

I would ask that the Shoreline Management Plan NOT be changed. At the very least, please do not allow the changes noted above to go into effect. It would have a devastating economic impact and would be detrimental to the public's right to use and enjoy our lake.

I have been on Table Rock Lake for 31 years and appreciate the job that the Corp does; but the recent modifications that are suggested are not in the best interests of the lake. I have been a dock master for 10 years and therefore have had direct contact with the Corp Rangers. This whole process has been

20170827_Molumby_S-WA

dictated by Little Rock without enough listening the patrons of Table Rock Lake and also the Corp Rangers who work here.

I am encouraged that the public's comments during the process have been acknowledged by the Corps. Thank you for listening. Please continue to help us protect our rights to use and enjoy our beautiful lake.

Sincerely,

Steven Molumby

From: CESWL-Table Rock Shoreline Management Plan Update <CESWL-TableRockShorelineManagementPlanUpdate@usace.army.mil>
Sent: Tuesday, August 29, 2017 8:33 AM
To: Murphy, Gina L.
Subject: FW: [EXTERNAL] Table Rock Lake Shoreline Management Plan

-----Original Message-----

From: Robert & Carol`Moritz [<mailto:madadder31@yahoo.com>]
Sent: Sunday, August 27, 2017 3:14 PM
To: CESWL-Table Rock Shoreline Management Plan Update <CESWL-TableRockShorelineManagementPlanUpdate@usace.army.mil>; savetablerock@gmail.com
Subject: [EXTERNAL] Table Rock Lake Shoreline Management Plan

TO: Corps of Engineers Decision Makers

FROM: Robert & Carol Moritz

RE: Table Rock Lake Shoreline Management Plan

Dear Corps of Engineers Decision Makers,

I am deeply concerned about the drastic changes that are being proposed in your draft Shoreline Management Plan for Table Rock Lake. The community has been very clear in thousands of public comments submitted that we are opposed to over-regulation. We've asked many times for NO CHANGE to be made to the Plan, but there are several items of major concern:

- I object to the carrying capacity as it limits the right to use the lake.
- I object to tighter restrictions placed upon vegetative management permits.
- I object to the new non-transferable grandfathered vegetative management permit rule.
- I object to financial hardships of removing electricity from the lake.
- I object to only one request every five years for dock modification.
- I object to the 8' depth requirement for any new docks.

I would ask that the Shoreline Management Plan NOT be changed. At the very least, please do not allow the changes noted above to go into effect. It would have a devastating economic impact and would be detrimental to the public's right to use and enjoy our lake.

It seems that the Corps would also limit parking and access to the docks. Several slip owners on our dock are handicapped, and not only need to park their carts close to the dock, but also be able to drive close to the dock to unload supplies. In addition, our dock is one of 6 that are accessible by the use of one ramp. What happens when someone unloads their boats off a boat trailer..where do they park. There is

20170827_Moritz_R&C-WA

absolutely no place to park that rig, or any other vehicles should you eliminate all parking on Corps property. Actually, there is absolutely no other parking any where close if parking is not allowed on Corps property.

This is really a case of "if it ain't broke, don't fix it". With all government "fixes" more problems arise than if things are just left alone.

Please reconsider.

I am encouraged that the public's comments during the process have been acknowledged by the Corps. Thank you for listening. Please continue to help us protect our rights to use and enjoy our beautiful lake.

Sincerely,

Robert & Carol Moritz

From: CESWL-Table Rock Shoreline Management Plan Update <CESWL-TableRockShorelineManagementPlanUpdate@usace.army.mil>
Sent: Tuesday, August 29, 2017 8:34 AM
To: Murphy, Gina L.
Subject: FW: [EXTERNAL] Table Rock Lake Shoreline Management Plan

-----Original Message-----

From: Ron`Moses [<mailto:ronlmoses@att.net>]
Sent: Sunday, August 27, 2017 8:14 PM
To: CESWL-Table Rock Shoreline Management Plan Update <CESWL-TableRockShorelineManagementPlanUpdate@usace.army.mil>; savetablerock@gmail.com
Subject: [EXTERNAL] Table Rock Lake Shoreline Management Plan

TO: Corps of Engineers Decision Makers

FROM: Ron Moses

RE: Table Rock Lake Shoreline Management Plan

Dear Corps of Engineers Decision Makers,

I am deeply concerned about the drastic changes that are being proposed in your draft Shoreline Management Plan for Table Rock Lake. The community has been very clear in thousands of public comments submitted that we are opposed to over-regulation. We've asked many times for NO CHANGE to be made to the Plan, but there are several items of major concern:

- I object to the carrying capacity as it limits the right to use the lake.
- I object to tighter restrictions placed upon vegetative management permits.
- I object to the new non-transferable grandfathered vegetative management permit rule.
- I object to financial hardships of removing electricity from the lake.
- I object to only one request every five years for dock modification.
- I object to the 8' depth requirement for any new docks.

I would ask that the Shoreline Management Plan NOT be changed. At the very least, please do not allow the changes noted above to go into effect. It would have a devastating economic impact and would be detrimental to the public's right to use and enjoy our lake.

Removing electricity from the lake would bring a tremendous financial hardship to all dock owners on the lake and is not something that should be pursued.

20170827_Moses_R-WA

I am encouraged that the public's comments during the process have been acknowledged by the Corps. Thank you for listening. Please continue to help us protect our rights to use and enjoy our beautiful lake.

Sincerely,

Ron Moses

From: CESWL-Table Rock Shoreline Management Plan Update <CESWL-TableRockShorelineManagementPlanUpdate@usace.army.mil>
Sent: Tuesday, August 29, 2017 8:32 AM
To: Murphy, Gina L.
Subject: FW: [EXTERNAL] Table Rock Lake Shoreline Management Plan

-----Original Message-----

From: Theresa Murray [<mailto:mrs.clean2@mchsi.com>]
Sent: Sunday, August 27, 2017 2:20 PM
To: CESWL-Table Rock Shoreline Management Plan Update <CESWL-TableRockShorelineManagementPlanUpdate@usace.army.mil>; savetablerock@gmail.com
Subject: [EXTERNAL] Table Rock Lake Shoreline Management Plan

TO: Corps of Engineers Decision Makers

FROM: Theresa Murray

RE: Table Rock Lake Shoreline Management Plan

Dear Corps of Engineers Decision Makers,

I am deeply concerned about the drastic changes that are being proposed in your draft Shoreline Management Plan for Table Rock Lake. The community has been very clear in thousands of public comments submitted that we are opposed to over-regulation. We've asked many times for NO CHANGE to be made to the Plan, but there are several items of major concern:

- I object to the carrying capacity as it limits the right to use the lake.
- I object to tighter restrictions placed upon vegetative management permits.
- I object to the new non-transferable grandfathered vegetative management permit rule.
- I object to financial hardships of removing electricity from the lake.
- I object to only one request every five years for dock modification.
- I object to the 8' depth requirement for any new docks.

I would ask that the Shoreline Management Plan NOT be changed. At the very least, please do not allow the changes noted above to go into effect. It would have a devastating economic impact and would be detrimental to the public's right to use and enjoy our lake.

I DO NOT WANT ANY NEW REGULATIONS TO TABLEROCK LAKE! People can not afford to make those changes. It is fine the way is. Please listen to what the public wants!! Thank you.

20170827_Murray_T-WA

I am encouraged that the public's comments during the process have been acknowledged by the Corps. Thank you for listening. Please continue to help us protect our rights to use and enjoy our beautiful lake.

Sincerely,

Theresa Murray

From: CESWL-Table Rock Shoreline Management Plan Update <CESWL-TableRockShorelineManagementPlanUpdate@usace.army.mil>
Sent: Tuesday, August 29, 2017 8:31 AM
To: Murphy, Gina L.
Subject: FW: [EXTERNAL] Table Rock Lake Shoreline Management Plan

-----Original Message-----

From: Catherine Naxera [<mailto:cathyaw2@yahoo.com>]
Sent: Sunday, August 27, 2017 11:12 AM
To: CESWL-Table Rock Shoreline Management Plan Update <CESWL-TableRockShorelineManagementPlanUpdate@usace.army.mil>; savetablerock@gmail.com
Subject: [EXTERNAL] Table Rock Lake Shoreline Management Plan

TO: Corps of Engineers Decision Makers

FROM: Catherine Naxera

RE: Table Rock Lake Shoreline Management Plan

Dear Corps of Engineers Decision Makers,

I am deeply concerned about the drastic changes that are being proposed in your draft Shoreline Management Plan for Table Rock Lake. The community has been very clear in thousands of public comments submitted that we are opposed to over-regulation. We've asked many times for NO CHANGE to be made to the Plan, but there are several items of major concern:

- I object to the carrying capacity as it limits the right to use the lake.
- I object to tighter restrictions placed upon vegetative management permits.
- I object to the new non-transferable grandfathered vegetative management permit rule.
- I object to financial hardships of removing electricity from the lake.
- I object to only one request every five years for dock modification.
- I object to the 8' depth requirement for any new docks.

I would ask that the Shoreline Management Plan NOT be changed. At the very least, please do not allow the changes noted above to go into effect. It would have a devastating economic impact and would be detrimental to the public's right to use and enjoy our lake.

I cannot afford the changes you are planning to make and I know a lot of people cant either. Your proposals will only create hardship for hundreds of retired people who bought property on this lake to enjoy their golden years. Our lake is beautiful just the way it is, your proposals will not make it any better. Hundreds of people will have to sell their property.

20170827_Naxera_C-WA

I am encouraged that the public's comments during the process have been acknowledged by the Corps. Thank you for listening. Please continue to help us protect our rights to use and enjoy our beautiful lake.

Sincerely,

Catherine Naxera

From: CESWL-Table Rock Shoreline Management Plan Update <CESWL-TableRockShorelineManagementPlanUpdate@usace.army.mil>
Sent: Tuesday, August 29, 2017 8:32 AM
To: Murphy, Gina L.
Subject: FW: [EXTERNAL] Table Rock Lake Shoreline Management Plan

-----Original Message-----

From: Terry Puett [<mailto:tpuett03@yahoo.com>]
Sent: Sunday, August 27, 2017 12:54 PM
To: CESWL-Table Rock Shoreline Management Plan Update <CESWL-TableRockShorelineManagementPlanUpdate@usace.army.mil>; savetablerock@gmail.com
Subject: [EXTERNAL] Table Rock Lake Shoreline Management Plan

TO: Corps of Engineers Decision Makers

FROM: Terry Puett

RE: Table Rock Lake Shoreline Management Plan

Dear Corps of Engineers Decision Makers,

I am deeply concerned about the drastic changes that are being proposed in your draft Shoreline Management Plan for Table Rock Lake. The community has been very clear in thousands of public comments submitted that we are opposed to over-regulation. We've asked many times for NO CHANGE to be made to the Plan, but there are several items of major concern:

- I object to the carrying capacity as it limits the right to use the lake.
- I object to tighter restrictions placed upon vegetative management permits.
- I object to the new non-transferable grandfathered vegetative management permit rule.
- I object to financial hardships of removing electricity from the lake.
- I object to only one request every five years for dock modification.
- I object to the 8' depth requirement for any new docks.

I would ask that the Shoreline Management Plan NOT be changed. At the very least, please do not allow the changes noted above to go into effect. It would have a devastating economic impact and would be detrimental to the public's right to use and enjoy our lake.

I strongly object to any restriction limiting equipment or personal property stored on the dock, especially within a dock locker. Why would the management plan restrict dock owners from storing fishing equipment, skis, inflatable water toys, kayaks, etc.? Also, I see the enforcement cost of such a restriction as unreasonable, unwarranted, and misuse of scarce government resources. A future with

20170827_Puett_T-WA

further resource limitation should be considered with respect to resources required to enforce unreasonable personal ownership use restrictions.

Restricting access by motorized vehicles restricts access to the lake. Your suggested issuance of LOPs represents an unreasonable request, especially with respect to offering access to occasional guests of dock owners. Your suggested limited access by motorized vehicles represents a financial burden, and a hardship, while limiting lake access for occasional visitors.

I appreciate efforts focused on maintaining the health and beauty of Table Rock Lake, but feel this management plan modification goes too far, and is in some aspects, unreasonable.

I am encouraged that the public's comments during the process have been acknowledged by the Corps. Thank you for listening. Please continue to help us protect our rights to use and enjoy our beautiful lake.

Sincerely,

Terry Puett

From: CESWL-Table Rock Shoreline Management Plan Update <CESWL-TableRockShorelineManagementPlanUpdate@usace.army.mil>
Sent: Tuesday, August 29, 2017 8:33 AM
To: Murphy, Gina L.
Subject: FW: [EXTERNAL] Table Rock Lake Shoreline Management Plan

-----Original Message-----

From: Debbie`Quigley [<mailto:quigsmom1@gmail.com>]
Sent: Sunday, August 27, 2017 6:41 PM
To: CESWL-Table Rock Shoreline Management Plan Update <CESWL-TableRockShorelineManagementPlanUpdate@usace.army.mil>; savetablerock@gmail.com
Subject: [EXTERNAL] Table Rock Lake Shoreline Management Plan

TO: Corps of Engineers Decision Makers

FROM: Debbie Quigley

RE: Table Rock Lake Shoreline Management Plan

Dear Corps of Engineers Decision Makers,

I am deeply concerned about the drastic changes that are being proposed in your draft Shoreline Management Plan for Table Rock Lake. The community has been very clear in thousands of public comments submitted that we are opposed to over-regulation. We've asked many times for NO CHANGE to be made to the Plan, but there are several items of major concern:

- I object to the carrying capacity as it limits the right to use the lake.
- I object to tighter restrictions placed upon vegetative management permits.
- I object to the new non-transferable grandfathered vegetative management permit rule.
- I object to financial hardships of removing electricity from the lake.
- I object to only one request every five years for dock modification.
- I object to the 8' depth requirement for any new docks.

I would ask that the Shoreline Management Plan NOT be changed. At the very least, please do not allow the changes noted above to go into effect. It would have a devastating economic impact and would be detrimental to the public's right to use and enjoy our lake.

I disagree with these changes. As we have front line property and the vegetation in front of us is like a dumping ground. People are dumping tree limbs, rocks, concrete and other material in front of our property. I would like to clear the undergrowth to stop the dumping

20170827_Quigley_D-WA

I am encouraged that the public's comments during the process have been acknowledged by the Corps. Thank you for listening. Please continue to help us protect our rights to use and enjoy our beautiful lake.

Sincerely,

Debbie Quigley

From: CESWL-Table Rock Shoreline Management Plan Update <CESWL-TableRockShorelineManagementPlanUpdate@usace.army.mil>
Sent: Tuesday, August 29, 2017 8:29 AM
To: Murphy, Gina L.
Subject: FW: [EXTERNAL] Table Rock Lake Shoreline Management Plan

-----Original Message-----

From: Chris`Schillinger [<mailto:cschillinger1994@gmail.com>]
Sent: Sunday, August 27, 2017 9:14 AM
To: CESWL-Table Rock Shoreline Management Plan Update <CESWL-TableRockShorelineManagementPlanUpdate@usace.army.mil>; savetablerock@gmail.com
Subject: [EXTERNAL] Table Rock Lake Shoreline Management Plan

TO: Corps of Engineers Decision Makers

FROM: Chris Schillinger

RE: Table Rock Lake Shoreline Management Plan

Dear Corps of Engineers Decision Makers,

I am deeply concerned about the drastic changes that are being proposed in your draft Shoreline Management Plan for Table Rock Lake. The community has been very clear in thousands of public comments submitted that we are opposed to over-regulation. We've asked many times for NO CHANGE to be made to the Plan, but there are several items of major concern:

- I object to the carrying capacity as it limits the right to use the lake.
- I object to tighter restrictions placed upon vegetative management permits.
- I object to the new non-transferable grandfathered vegetative management permit rule.
- I object to financial hardships of removing electricity from the lake.
- I object to only one request every five years for dock modification.
- I object to the 8' depth requirement for any new docks.

I would ask that the Shoreline Management Plan NOT be changed. At the very least, please do not allow the changes noted above to go into effect. It would have a devastating economic impact and would be detrimental to the public's right to use and enjoy our lake.

Please don't do this

I am encouraged that the public's comments during the process have been acknowledged by the Corps. Thank you for listening. Please continue to help us protect our rights to use and enjoy our beautiful lake.

20170827_Schillinger_C-W

Sincerely,

Chris Schillinger

From: CESWL-Table Rock Shoreline Management Plan Update <CESWL-TableRockShorelineManagementPlanUpdate@usace.army.mil>
Sent: Tuesday, August 29, 2017 8:29 AM
To: Murphy, Gina L.
Subject: FW: [EXTERNAL] Table Rock Lake Shoreline Management Plan

-----Original Message-----

From: Elizabeth Schillinger [<mailto:eacosta0826@gmail.com>]
Sent: Sunday, August 27, 2017 9:12 AM
To: CESWL-Table Rock Shoreline Management Plan Update <CESWL-TableRockShorelineManagementPlanUpdate@usace.army.mil>; savetablerock@gmail.com
Subject: [EXTERNAL] Table Rock Lake Shoreline Management Plan

TO: Corps of Engineers Decision Makers

FROM: Elizabeth Schillinger

RE: Table Rock Lake Shoreline Management Plan

Dear Corps of Engineers Decision Makers,

I am deeply concerned about the drastic changes that are being proposed in your draft Shoreline Management Plan for Table Rock Lake. The community has been very clear in thousands of public comments submitted that we are opposed to over-regulation. We've asked many times for NO CHANGE to be made to the Plan, but there are several items of major concern:

- I object to the carrying capacity as it limits the right to use the lake.
- I object to tighter restrictions placed upon vegetative management permits.
- I object to the new non-transferable grandfathered vegetative management permit rule.
- I object to financial hardships of removing electricity from the lake.
- I object to only one request every five years for dock modification.
- I object to the 8' depth requirement for any new docks.

I would ask that the Shoreline Management Plan NOT be changed. At the very least, please do not allow the changes noted above to go into effect. It would have a devastating economic impact and would be detrimental to the public's right to use and enjoy our lake.

Please don't do this

I am encouraged that the public's comments during the process have been acknowledged by the Corps. Thank you for listening. Please continue to help us protect our rights to use and enjoy our beautiful lake.

20170827_Schillinger_E-W

Sincerely,

Elizabeth Schillinger

From: CESWL-Table Rock Shoreline Management Plan Update <CESWL-TableRockShorelineManagementPlanUpdate@usace.army.mil>
Sent: Tuesday, August 29, 2017 8:29 AM
To: Murphy, Gina L.
Subject: FW: [EXTERNAL] Table Rock Lake Shoreline Management Plan

-----Original Message-----

From: Kevin Schillinger [<mailto:bitsybass@gmail.com>]
Sent: Sunday, August 27, 2017 10:22 AM
To: CESWL-Table Rock Shoreline Management Plan Update <CESWL-TableRockShorelineManagementPlanUpdate@usace.army.mil>; savetablerock@gmail.com
Subject: [EXTERNAL] Table Rock Lake Shoreline Management Plan

TO: Corps of Engineers Decision Makers

FROM: Kevin Schillinger

RE: Table Rock Lake Shoreline Management Plan

Dear Corps of Engineers Decision Makers,

I am deeply concerned about the drastic changes that are being proposed in your draft Shoreline Management Plan for Table Rock Lake. The community has been very clear in thousands of public comments submitted that we are opposed to over-regulation. We've asked many times for NO CHANGE to be made to the Plan, but there are several items of major concern:

- I object to the carrying capacity as it limits the right to use the lake.
- I object to tighter restrictions placed upon vegetative management permits.
- I object to the new non-transferable grandfathered vegetative management permit rule.
- I object to financial hardships of removing electricity from the lake.
- I object to only one request every five years for dock modification.
- I object to the 8' depth requirement for any new docks.

I would ask that the Shoreline Management Plan NOT be changed. At the very least, please do not allow the changes noted above to go into effect. It would have a devastating economic impact and would be detrimental to the public's right to use and enjoy our lake.

I think time and money could be spent more constructively on the real issues the lake has, like Boater's Education and the banning of wake-board boats, which can sink smaller boats with ease. I moved to the lake to fish in 2010, but I cannot even go out during the summer because of the boats and the massive wake they produce. I have a pontoon boat, and sometimes the wave when they go by will come over

20170827_Schillinger_K-WA

the bow and sides of the boat. These are the things that should command attention, as they will cause loss of life at some point.

I am encouraged that the public's comments during the process have been acknowledged by the Corps. Thank you for listening. Please continue to help us protect our rights to use and enjoy our beautiful lake.

Sincerely,

Kevin Schillinger

From: CESWL-Table Rock Shoreline Management Plan Update <CESWL-TableRockShorelineManagementPlanUpdate@usace.army.mil>
Sent: Tuesday, August 29, 2017 8:36 AM
To: Murphy, Gina L.
Subject: FW: [EXTERNAL] Table Rock Lake Shoreline Management Plan

-----Original Message-----

From: Charles`Sherrod [<mailto:sherrodmd@gmail.com>]
Sent: Sunday, August 27, 2017 10:32 PM
To: CESWL-Table Rock Shoreline Management Plan Update <CESWL-TableRockShorelineManagementPlanUpdate@usace.army.mil>; savetablerock@gmail.com
Subject: [EXTERNAL] Table Rock Lake Shoreline Management Plan

TO: Corps of Engineers Decision Makers

FROM: Charles Sherrod

RE: Table Rock Lake Shoreline Management Plan

Dear Corps of Engineers Decision Makers,

I am deeply concerned about the drastic changes that are being proposed in your draft Shoreline Management Plan for Table Rock Lake. The community has been very clear in thousands of public comments submitted that we are opposed to over-regulation. We've asked many times for NO CHANGE to be made to the Plan, but there are several items of major concern:

- I object to the carrying capacity as it limits the right to use the lake.
- I object to tighter restrictions placed upon vegetative management permits.
- I object to the new non-transferable grandfathered vegetative management permit rule.
- I object to financial hardships of removing electricity from the lake.
- I object to only one request every five years for dock modification.
- I object to the 8' depth requirement for any new docks.

I would ask that the Shoreline Management Plan NOT be changed. At the very least, please do not allow the changes noted above to go into effect. It would have a devastating economic impact and would be detrimental to the public's right to use and enjoy our lake.

I am encouraged that the public's comments during the process have been acknowledged by the Corps. Thank you for listening. Please continue to help us protect our rights to use and enjoy our beautiful lake.

Sincerely,

20170827_Sherrod_C-W

Charles Sherrod

From: CESWL-Table Rock Shoreline Management Plan Update <CESWL-TableRockShorelineManagementPlanUpdate@usace.army.mil>
Sent: Tuesday, August 29, 2017 8:28 AM
To: Murphy, Gina L.
Subject: FW: [EXTERNAL] Table Rock Lake Shoreline Management Plan

-----Original Message-----

From: Heide`Smith [<mailto:smithh@branson.k12.mo.us>]
Sent: Sunday, August 27, 2017 8:50 AM
To: CESWL-Table Rock Shoreline Management Plan Update <CESWL-TableRockShorelineManagementPlanUpdate@usace.army.mil>; savetablerock@gmail.com
Subject: [EXTERNAL] Table Rock Lake Shoreline Management Plan

TO: Corps of Engineers Decision Makers

FROM: Heide Smith

RE: Table Rock Lake Shoreline Management Plan

Dear Corps of Engineers Decision Makers,

I am deeply concerned about the drastic changes that are being proposed in your draft Shoreline Management Plan for Table Rock Lake. The community has been very clear in thousands of public comments submitted that we are opposed to over-regulation. We've asked many times for NO CHANGE to be made to the Plan, but there are several items of major concern:

- I object to the carrying capacity as it limits the right to use the lake.
- I object to tighter restrictions placed upon vegetative management permits.
- I object to the new non-transferable grandfathered vegetative management permit rule.
- I object to financial hardships of removing electricity from the lake.
- I object to only one request every five years for dock modification.
- I object to the 8' depth requirement for any new docks.

I would ask that the Shoreline Management Plan NOT be changed. At the very least, please do not allow the changes noted above to go into effect. It would have a devastating economic impact and would be detrimental to the public's right to use and enjoy our lake.

You are going to close down the smaller business that can't afford to make the solar panel changes. Not everyone has deep pockets like big cedar. It seems the new younger generation in charge now isn't able to look at the bigger picture. The older corps people would have listened to the people. The decisions

20170827_Smith_H-WA

are being made in Little Rock 4 hours away not by the people who actually live here. No we do not want to become lake if the ozark ever but with the changes proposed it is going to kill the tourism.

I am encouraged that the public's comments during the process have been acknowledged by the Corps. Thank you for listening. Please continue to help us protect our rights to use and enjoy our beautiful lake.

Sincerely,

Heide Smith

From: CESWL-Table Rock Shoreline Management Plan Update <CESWL-TableRockShorelineManagementPlanUpdate@usace.army.mil>
Sent: Tuesday, August 29, 2017 8:36 AM
To: Murphy, Gina L.
Subject: FW: [EXTERNAL] Table Rock Lake Shoreline Management Plan

-----Original Message-----

From: Kimberly`Steinmann [<mailto:shellkim495@gmail.com>]
Sent: Sunday, August 27, 2017 11:13 PM
To: CESWL-Table Rock Shoreline Management Plan Update <CESWL-TableRockShorelineManagementPlanUpdate@usace.army.mil>; savetablerock@gmail.com
Subject: [EXTERNAL] Table Rock Lake Shoreline Management Plan

TO: Corps of Engineers Decision Makers

FROM: Kimberly Steinmann

RE: Table Rock Lake Shoreline Management Plan

Dear Corps of Engineers Decision Makers,

I am deeply concerned about the drastic changes that are being proposed in your draft Shoreline Management Plan for Table Rock Lake. The community has been very clear in thousands of public comments submitted that we are opposed to over-regulation. We've asked many times for NO CHANGE to be made to the Plan, but there are several items of major concern:

- I object to the carrying capacity as it limits the right to use the lake.
- I object to tighter restrictions placed upon vegetative management permits.
- I object to the new non-transferable grandfathered vegetative management permit rule.
- I object to financial hardships of removing electricity from the lake.
- I object to only one request every five years for dock modification.
- I object to the 8' depth requirement for any new docks.

I would ask that the Shoreline Management Plan NOT be changed. At the very least, please do not allow the changes noted above to go into effect. It would have a devastating economic impact and would be detrimental to the public's right to use and enjoy our lake.

It is ridiculous to expect people to be able to afford solar panels everywhere, because of a few accidents with electricity, and also "permits to use OUR OWN LAKE!!! You have got to be kidding!!!!

20170827_Steinmann_K-WA

I am encouraged that the public's comments during the process have been acknowledged by the Corps. Thank you for listening. Please continue to help us protect our rights to use and enjoy our beautiful lake.

Sincerely,

Kimberly Steinmann

From: CESWL-Table Rock Shoreline Management Plan Update <CESWL-TableRockShorelineManagementPlanUpdate@usace.army.mil>
Sent: Tuesday, August 29, 2017 8:35 AM
To: Murphy, Gina L.
Subject: FW: [EXTERNAL] Table Rock Lake Shoreline Management Plan

-----Original Message-----

From: Isaac `Stewart [<mailto:isaac.stewart@ml.com>]
Sent: Sunday, August 27, 2017 9:40 PM
To: CESWL-Table Rock Shoreline Management Plan Update <CESWL-TableRockShorelineManagementPlanUpdate@usace.army.mil>; savetablerock@gmail.com
Subject: [EXTERNAL] Table Rock Lake Shoreline Management Plan

TO: Corps of Engineers Decision Makers

FROM: Isaac Stewart

RE: Table Rock Lake Shoreline Management Plan

Dear Corps of Engineers Decision Makers,

I am deeply concerned about the drastic changes that are being proposed in your draft Shoreline Management Plan for Table Rock Lake. The community has been very clear in thousands of public comments submitted that we are opposed to over-regulation. We've asked many times for NO CHANGE to be made to the Plan, but there are several items of major concern:

- I object to the carrying capacity as it limits the right to use the lake.
- I object to tighter restrictions placed upon vegetative management permits.
- I object to the new non-transferable grandfathered vegetative management permit rule.
- I object to financial hardships of removing electricity from the lake.
- I object to only one request every five years for dock modification.
- I object to the 8' depth requirement for any new docks.

I would ask that the Shoreline Management Plan NOT be changed. At the very least, please do not allow the changes noted above to go into effect. It would have a devastating economic impact and would be detrimental to the public's right to use and enjoy our lake.

We absolutely love TRL for its beauty and people. Please keep current guidelines in place no need to go backwards. Thank you for all you do.

20170827_Stewart_I-WA

I am encouraged that the public's comments during the process have been acknowledged by the Corps. Thank you for listening. Please continue to help us protect our rights to use and enjoy our beautiful lake.

Sincerely,

Isaac Stewart

From: CESWL-Table Rock Shoreline Management Plan Update <CESWL-TableRockShorelineManagementPlanUpdate@usace.army.mil>
Sent: Tuesday, August 29, 2017 8:35 AM
To: Murphy, Gina L.
Subject: FW: [EXTERNAL] Table Rock Lake Shoreline Management Plan

-----Original Message-----

From: Amy`Sullivan [<mailto:asullivan@bssd.net>]
Sent: Sunday, August 27, 2017 9:26 PM
To: CESWL-Table Rock Shoreline Management Plan Update <CESWL-TableRockShorelineManagementPlanUpdate@usace.army.mil>; savetablerock@gmail.com
Subject: [EXTERNAL] Table Rock Lake Shoreline Management Plan

TO: Corps of Engineers Decision Makers

FROM: Amy Sullivan

RE: Table Rock Lake Shoreline Management Plan

Dear Corps of Engineers Decision Makers,

I am deeply concerned about the drastic changes that are being proposed in your draft Shoreline Management Plan for Table Rock Lake. The community has been very clear in thousands of public comments submitted that we are opposed to over-regulation. We've asked many times for NO CHANGE to be made to the Plan, but there are several items of major concern:

- I object to the carrying capacity as it limits the right to use the lake.
- I object to tighter restrictions placed upon vegetative management permits.
- I object to the new non-transferable grandfathered vegetative management permit rule.
- I object to financial hardships of removing electricity from the lake.
- I object to only one request every five years for dock modification.
- I object to the 8' depth requirement for any new docks.

I would ask that the Shoreline Management Plan NOT be changed. At the very least, please do not allow the changes noted above to go into effect. It would have a devastating economic impact and would be detrimental to the public's right to use and enjoy our lake.

I am encouraged that the public's comments during the process have been acknowledged by the Corps. Thank you for listening. Please continue to help us protect our rights to use and enjoy our beautiful lake.

Sincerely,

20170827_Sullivan_A-W

Amy Sullivan

From: CESWL-Table Rock Shoreline Management Plan Update <CESWL-TableRockShorelineManagementPlanUpdate@usace.army.mil>
Sent: Tuesday, August 29, 2017 8:35 AM
To: Murphy, Gina L.
Subject: FW: [EXTERNAL] Table Rock Lake Shoreline Management Plan

-----Original Message-----

From: Anne Watson [<mailto:annewatson121@gmail.com>]
Sent: Sunday, August 27, 2017 10:02 PM
To: CESWL-Table Rock Shoreline Management Plan Update <CESWL-TableRockShorelineManagementPlanUpdate@usace.army.mil>; savetablerock@gmail.com
Subject: [EXTERNAL] Table Rock Lake Shoreline Management Plan

TO: Corps of Engineers Decision Makers

FROM: Anne Watson

RE: Table Rock Lake Shoreline Management Plan

Dear Corps of Engineers Decision Makers,

I am deeply concerned about the drastic changes that are being proposed in your draft Shoreline Management Plan for Table Rock Lake. The community has been very clear in thousands of public comments submitted that we are opposed to over-regulation. We've asked many times for NO CHANGE to be made to the Plan, but there are several items of major concern:

- I object to the carrying capacity as it limits the right to use the lake.
- I object to tighter restrictions placed upon vegetative management permits.
- I object to the new non-transferable grandfathered vegetative management permit rule.
- I object to financial hardships of removing electricity from the lake.
- I object to only one request every five years for dock modification.
- I object to the 8' depth requirement for any new docks.

I would ask that the Shoreline Management Plan NOT be changed. At the very least, please do not allow the changes noted above to go into effect. It would have a devastating economic impact and would be detrimental to the public's right to use and enjoy our lake.

I am encouraged that the public's comments during the process have been acknowledged by the Corps. Thank you for listening. Please continue to help us protect our rights to use and enjoy our beautiful lake.

Sincerely,

20170827_Watson_A-W

Anne Watson

From: CESWL-Table Rock Shoreline Management Plan Update <CESWL-TableRockShorelineManagementPlanUpdate@usace.army.mil>
Sent: Tuesday, August 29, 2017 8:34 AM
To: Murphy, Gina L.
Subject: FW: [EXTERNAL] Table Rock Lake Shoreline Management Plan

-----Original Message-----

From: Deanna `White [<mailto:drwhite815@gmail.com>]
Sent: Sunday, August 27, 2017 7:46 PM
To: CESWL-Table Rock Shoreline Management Plan Update <CESWL-TableRockShorelineManagementPlanUpdate@usace.army.mil>; savetablerock@gmail.com
Subject: [EXTERNAL] Table Rock Lake Shoreline Management Plan

TO: Corps of Engineers Decision Makers

FROM: Deanna White

RE: Table Rock Lake Shoreline Management Plan

Dear Corps of Engineers Decision Makers,

I am deeply concerned about the drastic changes that are being proposed in your draft Shoreline Management Plan for Table Rock Lake. The community has been very clear in thousands of public comments submitted that we are opposed to over-regulation. We've asked many times for NO CHANGE to be made to the Plan, but there are several items of major concern:

- I object to the carrying capacity as it limits the right to use the lake.
- I object to tighter restrictions placed upon vegetative management permits.
- I object to the new non-transferable grandfathered vegetative management permit rule.
- I object to financial hardships of removing electricity from the lake.
- I object to only one request every five years for dock modification.
- I object to the 8' depth requirement for any new docks.

I would ask that the Shoreline Management Plan NOT be changed. At the very least, please do not allow the changes noted above to go into effect. It would have a devastating economic impact and would be detrimental to the public's right to use and enjoy our lake.

I do feel this is very unfair to our private lake communities. We hope you will reconsider these restrictions.

20170827_White_D-WA

I am encouraged that the public's comments during the process have been acknowledged by the Corps. Thank you for listening. Please continue to help us protect our rights to use and enjoy our beautiful lake.

Sincerely,

Deanna White

From: CESWL-Table Rock Shoreline Management Plan Update <CESWL-TableRockShorelineManagementPlanUpdate@usace.army.mil>
Sent: Tuesday, August 29, 2017 8:34 AM
To: Murphy, Gina L.
Subject: FW: [EXTERNAL] Table Rock Lake Shoreline Management Plan

-----Original Message-----

From: Morey Wilkinson [<mailto:moreysgf@aol.com>]
Sent: Sunday, August 27, 2017 7:47 PM
To: CESWL-Table Rock Shoreline Management Plan Update <CESWL-TableRockShorelineManagementPlanUpdate@usace.army.mil>; savetablerock@gmail.com
Subject: [EXTERNAL] Table Rock Lake Shoreline Management Plan

TO: Corps of Engineers Decision Makers

FROM: Morey Wilkinson

RE: Table Rock Lake Shoreline Management Plan

Dear Corps of Engineers Decision Makers,

I am deeply concerned about the drastic changes that are being proposed in your draft Shoreline Management Plan for Table Rock Lake. The community has been very clear in thousands of public comments submitted that we are opposed to over-regulation. We've asked many times for NO CHANGE to be made to the Plan, but there are several items of major concern:

- I object to the carrying capacity as it limits the right to use the lake.
- I object to tighter restrictions placed upon vegetative management permits.
- I object to the new non-transferable grandfathered vegetative management permit rule.
- I object to financial hardships of removing electricity from the lake.
- I object to only one request every five years for dock modification.
- I object to the 8' depth requirement for any new docks.

I would ask that the Shoreline Management Plan NOT be changed. At the very least, please do not allow the changes noted above to go into effect. It would have a devastating economic impact and would be detrimental to the public's right to use and enjoy our lake.

I am encouraged that the public's comments during the process have been acknowledged by the Corps. Thank you for listening. Please continue to help us protect our rights to use and enjoy our beautiful lake.

Sincerely,

20170827_Wilkinson_M-W

Morey Wilkinson

From: CESWL-Table Rock Shoreline Management Plan Update <CESWL-TableRockShorelineManagementPlanUpdate@usace.army.mil>
Sent: Tuesday, August 29, 2017 8:34 AM
To: Murphy, Gina L.
Subject: FW: [EXTERNAL] Table Rock Lake Shoreline Management Plan

-----Original Message-----

From: Toni`Wilkinson [<mailto:twspfd@ail.com>]
Sent: Sunday, August 27, 2017 7:46 PM
To: CESWL-Table Rock Shoreline Management Plan Update <CESWL-TableRockShorelineManagementPlanUpdate@usace.army.mil>; savetablerock@gmail.com
Subject: [EXTERNAL] Table Rock Lake Shoreline Management Plan

TO: Corps of Engineers Decision Makers

FROM: Toni Wilkinson

RE: Table Rock Lake Shoreline Management Plan

Dear Corps of Engineers Decision Makers,

I am deeply concerned about the drastic changes that are being proposed in your draft Shoreline Management Plan for Table Rock Lake. The community has been very clear in thousands of public comments submitted that we are opposed to over-regulation. We've asked many times for NO CHANGE to be made to the Plan, but there are several items of major concern:

- I object to the carrying capacity as it limits the right to use the lake.
- I object to tighter restrictions placed upon vegetative management permits.
- I object to the new non-transferable grandfathered vegetative management permit rule.
- I object to financial hardships of removing electricity from the lake.
- I object to only one request every five years for dock modification.
- I object to the 8' depth requirement for any new docks.

I would ask that the Shoreline Management Plan NOT be changed. At the very least, please do not allow the changes noted above to go into effect. It would have a devastating economic impact and would be detrimental to the public's right to use and enjoy our lake.

I am encouraged that the public's comments during the process have been acknowledged by the Corps. Thank you for listening. Please continue to help us protect our rights to use and enjoy our beautiful lake.

Sincerely,

20170827_Wilkinson_T-W

Toni Wilkinson

From: CESWL-Table Rock Shoreline Management Plan Update <CESWL-TableRockShorelineManagementPlanUpdate@usace.army.mil>
Sent: Tuesday, August 29, 2017 8:35 AM
To: Murphy, Gina L.
Subject: FW: [EXTERNAL] Table Rock Lake Shoreline Management Plan

-----Original Message-----

From: Lauren`Zastrow [<mailto:lauren.zastrow67@gmail.com>]
Sent: Sunday, August 27, 2017 9:30 PM
To: CESWL-Table Rock Shoreline Management Plan Update <CESWL-TableRockShorelineManagementPlanUpdate@usace.army.mil>; savetablerock@gmail.com
Subject: [EXTERNAL] Table Rock Lake Shoreline Management Plan

TO: Corps of Engineers Decision Makers

FROM: Lauren Zastrow

RE: Table Rock Lake Shoreline Management Plan

Dear Corps of Engineers Decision Makers,

I am deeply concerned about the drastic changes that are being proposed in your draft Shoreline Management Plan for Table Rock Lake. The community has been very clear in thousands of public comments submitted that we are opposed to over-regulation. We've asked many times for NO CHANGE to be made to the Plan, but there are several items of major concern:

- I object to the carrying capacity as it limits the right to use the lake.
- I object to tighter restrictions placed upon vegetative management permits.
- I object to the new non-transferable grandfathered vegetative management permit rule.
- I object to financial hardships of removing electricity from the lake.
- I object to only one request every five years for dock modification.
- I object to the 8' depth requirement for any new docks.

I would ask that the Shoreline Management Plan NOT be changed. At the very least, please do not allow the changes noted above to go into effect. It would have a devastating economic impact and would be detrimental to the public's right to use and enjoy our lake.

I am encouraged that the public's comments during the process have been acknowledged by the Corps. Thank you for listening. Please continue to help us protect our rights to use and enjoy our beautiful lake.

Sincerely,

20170827_Zastrow_L-W

Lauren Zastrow

From: CESWL-Table Rock Shoreline Management Plan Update <CESWL-TableRockShorelineManagementPlanUpdate@usace.army.mil>
Sent: Tuesday, August 29, 2017 8:37 AM
To: Murphy, Gina L.
Subject: FW: [EXTERNAL] Table Rock Lake Shoreline Management Plan

-----Original Message-----

From: Sue`Alkire [<mailto:slalomsuzy@aol.com>]
Sent: Monday, August 28, 2017 7:00 AM
To: CESWL-Table Rock Shoreline Management Plan Update <CESWL-TableRockShorelineManagementPlanUpdate@usace.army.mil>; savetablerock@gmail.com
Subject: [EXTERNAL] Table Rock Lake Shoreline Management Plan

TO: Corps of Engineers Decision Makers

FROM: Sue Alkire

RE: Table Rock Lake Shoreline Management Plan

Dear Corps of Engineers Decision Makers,

I am deeply concerned about the drastic changes that are being proposed in your draft Shoreline Management Plan for Table Rock Lake. The community has been very clear in thousands of public comments submitted that we are opposed to over-regulation. We've asked many times for NO CHANGE to be made to the Plan, but there are several items of major concern:

- I object to the carrying capacity as it limits the right to use the lake.
- I object to tighter restrictions placed upon vegetative management permits.
- I object to the new non-transferable grandfathered vegetative management permit rule.
- I object to financial hardships of removing electricity from the lake.
- I object to only one request every five years for dock modification.
- I object to the 8' depth requirement for any new docks.

I would ask that the Shoreline Management Plan NOT be changed. At the very least, please do not allow the changes noted above to go into effect. It would have a devastating economic impact and would be detrimental to the public's right to use and enjoy our lake.

We have lived here since 1999 and enjoyed Table Rock Lake even before that. We have spent many, many hours, water skiing and house-boating on it. Our boat is kept at State Park Marina, and you couldn't ask for better landlords and people who care about maintaining the quality of the lake. PLEASE do not destroy the ability of the citizens to continue to enjoy this beautiful lake.

20170828_Alkire_S-WA

I am encouraged that the public's comments during the process have been acknowledged by the Corps. Thank you for listening. Please continue to help us protect our rights to use and enjoy our beautiful lake.

Sincerely,

Sue Alkire

Kathleen Arthur
4946 S Buckingham Lane
Springfield, MO 65807

August 28, 2017

US Army Corps of Engineers
Table Rock Lake
PO Box 867
Little Rock, AR 72203-0867

In May of this year my husband and I purchased our forever home on Beautiful Table Rock Lake. We are ecstatic. We have a few years before we will be living at it totally so right now we are there 50% of the time. When we heard there were new regulations for the lake, we became anxious.

I realize that you will be receiving thousands of letters expressing concerns over new regulations for Table Rock so I will keep this short. As I read the list of proposed changes I was struck with the oddity of some of the items. For example why does electricity to the docks concern the corps? Our dock has updated safe connections and electrical equipment and is inspected frequently. What advantage to the corps is solar? Secondly, dock modifications improve the quality of the docks and make them stronger and more secure why would mandatory time limits for dock modifications be imposed? These and other proposed changes seem costly for residents without benefit to anyone.

Our property has a corps marker between our house and the lake. When trash washes ashore we pick it up and dispose of it. We respect regulations to leave the area untouched. We do drive a small cart to and from our dock and leave it at the dock area while we enjoy the lake. All of this we do with great effort to support the integrity of the lake. We would ask that you respect us as well and not put undo hardship on property owners which would limit our access to the lake.

In summary the vegetative management restrictions, dock electricity and modifications restrictions and restrictions on parking near docks should not be enacted. Please evaluate the proposed changes based on necessity and valid needs. We would also ask that you work closely with our local agencies to establish fair and reasonable regulations, and we will continue to preserve our small portion of Beautiful Table Rock Lake.

Respectfully,



Kathy Arthur
120 Trails End
Branson West, Mo 65737

From: CESWL-Table Rock Shoreline Management Plan Update <CESWL-TableRockShorelineManagementPlanUpdate@usace.army.mil>
Sent: Tuesday, August 29, 2017 8:42 AM
To: Murphy, Gina L.
Subject: FW: [EXTERNAL] Table Rock Lake Shoreline Management Plan

-----Original Message-----

From: Bill `Blitch [<mailto:billeblitch@gmail.com>]
Sent: Monday, August 28, 2017 11:35 AM
To: CESWL-Table Rock Shoreline Management Plan Update <CESWL-TableRockShorelineManagementPlanUpdate@usace.army.mil>; savetablerock@gmail.com
Subject: [EXTERNAL] Table Rock Lake Shoreline Management Plan

TO: Corps of Engineers Decision Makers

FROM: Bill Blitch

RE: Table Rock Lake Shoreline Management Plan

Dear Corps of Engineers Decision Makers,

I am deeply concerned about the drastic changes that are being proposed in your draft Shoreline Management Plan for Table Rock Lake. The community has been very clear in thousands of public comments submitted that we are opposed to over-regulation. We've asked many times for NO CHANGE to be made to the Plan, but there are several items of major concern:

- I object to the carrying capacity as it limits the right to use the lake.
- I object to tighter restrictions placed upon vegetative management permits.
- I object to the new non-transferable grandfathered vegetative management permit rule.
- I object to financial hardships of removing electricity from the lake.
- I object to only one request every five years for dock modification.
- I object to the 8' depth requirement for any new docks.

I would ask that the Shoreline Management Plan NOT be changed. At the very least, please do not allow the changes noted above to go into effect. It would have a devastating economic impact and would be detrimental to the public's right to use and enjoy our lake.

It is so very important that we listen to the public in this management plan . The Public is why the lake was created in the first place ,and the reason we need to not put unfair burdens on the use of the lake by the residents and guests to our area..

20170828_Blitch_B-WA

I am encouraged that the public's comments during the process have been acknowledged by the Corps. Thank you for listening. Please continue to help us protect our rights to use and enjoy our beautiful lake.

Sincerely,

Bill Blitch

From: CESWL-Table Rock Shoreline Management Plan Update <CESWL-TableRockShorelineManagementPlanUpdate@usace.army.mil>
Sent: Tuesday, August 29, 2017 8:46 AM
To: Murphy, Gina L.
Subject: FW: [EXTERNAL] Table Rock Lake Shoreline Management Plan

-----Original Message-----

From: Robert `Bliven [<mailto:beg80emm@yahoo.com>]
Sent: Monday, August 28, 2017 3:31 PM
To: CESWL-Table Rock Shoreline Management Plan Update <CESWL-TableRockShorelineManagementPlanUpdate@usace.army.mil>; savetablerock@gmail.com
Subject: [EXTERNAL] Table Rock Lake Shoreline Management Plan

TO: Corps of Engineers Decision Makers

FROM: Robert Bliven

RE: Table Rock Lake Shoreline Management Plan

Dear Corps of Engineers Decision Makers,

I am deeply concerned about the drastic changes that are being proposed in your draft Shoreline Management Plan for Table Rock Lake. The community has been very clear in thousands of public comments submitted that we are opposed to over-regulation. We've asked many times for NO CHANGE to be made to the Plan, but there are several items of major concern:

- I object to the carrying capacity as it limits the right to use the lake.
- I object to tighter restrictions placed upon vegetative management permits.
- I object to the new non-transferable grandfathered vegetative management permit rule.
- I object to financial hardships of removing electricity from the lake.
- I object to only one request every five years for dock modification.
- I object to the 8' depth requirement for any new docks.

I would ask that the Shoreline Management Plan NOT be changed. At the very least, please do not allow the changes noted above to go into effect. It would have a devastating economic impact and would be detrimental to the public's right to use and enjoy our lake.

I am encouraged that the public's comments during the process have been acknowledged by the Corps. Thank you for listening. Please continue to help us protect our rights to use and enjoy our beautiful lake.

Sincerely,

20170828_Bliven_R-W

Robert Bliven

John and Linda Bornheimer
284 Wildflower Drive
Kimberling City, MO 65686

Table Rock Lake SMP/MP/EA Project Manager
Programs and Project Management Division, Civil
Works Branch
Little Rock District, U.S. Army Corps of Engineers
P.O. Box 867
Little Rock, AR 72203

Dear Sir:

Thank you for the opportunity to comment on the proposed changes to the Shoreline Management Plan. We appreciate the efforts of the Corps of Engineers to maintain our little piece of heaven identified as Table Rock Lake, but there are several items in the proposal that need to be addressed.

1. Requiring private and community docks to install alternative power sources (solar) would cause a financial hardship for many of us retirees with fixed incomes. The initial investment estimates for the hardware required do not include additional costs relating to structural modification, the need for additional flotation materials and spill containment for the required storage batteries. Our community dock has no "extra" space for batteries potentially causing a safety hazard relating to egress in the event of an emergency as the majority of the slip owners in our community dock are retired. We have no problem with new docks being required to be solar powered as the dock structure can be engineered and manufactured to properly address the needs of alternate power.

We do feel that private and community docks are being discriminated against as resorts and marina docks are excluded from the requirement to change over to alternative power sources.

A reasonable accommodation would be to install a GFI breaker on the main power line and be inspected biannually.

2. Regarding No Wake Buoys being removed by 12/31/20: The buoys provide a visual boundary to define the channel for visiting boaters unfamiliar with the lake. This is a safety issue for all swimmers including our children and grandchildren that enjoy swimming near our dock. At the Reeds Spring meeting the representative from the Corps mentioned that it was difficult to enforce the 100 foot distance from the end of

the dock requirement. The buoy placed at 100 feet from the end of the dock at normal pool will drift based on the lake level and current created by electricity generation. The corps makes no adjustments to the hazard buoys across from Oswalt Bluff between points 9 and 10 as the lake level rises and falls. Why should private and community docks be singled out?

No Wake buoys are safety issues that are more important than enforcement issues.

3. As previously stated many of the slip owners in our community dock are retired. Our docks in the Wildflower subdivision are 200 plus feet from the take line to the shore at normal pool. We request a reasonable accommodation regarding the use of golf carts to access our docks. We currently have an approved path from the take line to the dock ramp that meets current corps requirements using natural materials (rock and mulch). As stated in your proposed plan paving from the take line to the shoreline at normal pool was inappropriate as the grade was too steep to meet ADA guidelines and no permits were issued under that program which was subsequently canceled. Although many of our slip owners are not considered legally disabled, our sense of balance and confidence has diminished with age (70+) and being forced to traverse this grade on foot is a safety hazard. Installing steps using natural materials would be extremely difficult to comply with both the Corps requirements and OSHA regarding an even step as we have venders traverse the path to perform repairs to the dock and boats as necessary. Not to mention the problem of transporting a portable generator should the solar system fail due to weather conditions. Transporting a portable generator 200 feet up and down this grade on a rock and mulch pathway on foot is a serious accident waiting to happen.

A reasonable accommodation would be to allow slip owners to use golf carts to traverse the distance from the take line to the water's edge. Not allowing this accommodation could be considered age discrimination.

4. All docks should be treated alike. Commercial and resort docks should not be given preferential treatment regarding the use of alternative power. Existing private and community docks should be grandfathered until all docks can be adequately serviced with alternative power sources.
5. Regarding the restrictions on the contents of dock closets containing only the equipment necessary to the operation of the vessel: as owners of the dock slip, boat and dock closet we do not feel the corps should be able to dictate the contents of the dock closet which would be considered personal property. Additional items frequently used on the dock include picnic baskets, coolers, fishing gear, sunscreen, towels etc. would clog the main walkway and/or fingers hindering ingress and egress on the dock should an emergency arise.

Use of dock closets to store personal gear in a reasonable manner should not be restricted.

Table Rock Lake is on one of the most beautiful bodies of water in the state of Missouri. It has remained that way due to strict and appropriate stewardship. It is most certainly attractive to many and therefore an enormous economic engine for the State of Missouri because it is appropriately accessible. Let's keep it that way!

If you have any questions or comments about the contents of this letter please contact me personally at 417-739-1769.

Sincerely,

John & Linda Bornheimer

From: CESWL-Table Rock Shoreline Management Plan Update <CESWL-TableRockShorelineManagementPlanUpdate@usace.army.mil>
Sent: Tuesday, August 29, 2017 8:45 AM
To: Murphy, Gina L.
Subject: FW: [EXTERNAL] Table Rock Lake Shoreline Management Plan

-----Original Message-----

From: JOSEPH BRAIK [<mailto:jsbraik@gmail.com>]
Sent: Monday, August 28, 2017 2:02 PM
To: CESWL-Table Rock Shoreline Management Plan Update <CESWL-TableRockShorelineManagementPlanUpdate@usace.army.mil>; savetablerock@gmail.com
Subject: [EXTERNAL] Table Rock Lake Shoreline Management Plan

TO: Corps of Engineers Decision Makers

FROM: JOSEPH BRAIK

RE: Table Rock Lake Shoreline Management Plan

Dear Corps of Engineers Decision Makers,

I am deeply concerned about the drastic changes that are being proposed in your draft Shoreline Management Plan for Table Rock Lake. The community has been very clear in thousands of public comments submitted that we are opposed to over-regulation. We've asked many times for NO CHANGE to be made to the Plan, but there are several items of major concern:

- I object to the carrying capacity as it limits the right to use the lake.
- I object to tighter restrictions placed upon vegetative management permits.
- I object to the new non-transferable grandfathered vegetative management permit rule.
- I object to financial hardships of removing electricity from the lake.
- I object to only one request every five years for dock modification.
- I object to the 8' depth requirement for any new docks.

I would ask that the Shoreline Management Plan NOT be changed. At the very least, please do not allow the changes noted above to go into effect. It would have a devastating economic impact and would be detrimental to the public's right to use and enjoy our lake.

I am encouraged that the public's comments during the process have been acknowledged by the Corps. Thank you for listening. Please continue to help us protect our rights to use and enjoy our beautiful lake.

Sincerely,

20170828_Braik_J-W

JOSEPH BRAIK

From: CESWL-Table Rock Shoreline Management Plan Update <CESWL-TableRockShorelineManagementPlanUpdate@usace.army.mil>
Sent: Tuesday, August 29, 2017 8:42 AM
To: Murphy, Gina L.
Subject: FW: [EXTERNAL] I've never seen Tablerock Lake so dirty

-----Original Message-----

From: Lauren Britton [<mailto:laurenbach@comcast.net>]
Sent: Monday, August 28, 2017 11:26 AM
To: CESWL-Table Rock Shoreline Management Plan Update <CESWL-TableRockShorelineManagementPlanUpdate@usace.army.mil>
Subject: [EXTERNAL] I've never seen Tablerock Lake so dirty

Hi Army Corp of Engineers-

I have been going down to Tablerock Lake since I was a kid since 1979. I know it has had a lot of rain and debris travels downstream but I have never seen Tablerock and its water so dirty. There was terrible flooding back in 2008 as well where levels were really high but I feel like the lake never recovered (clarity of water) since then.

I also own property on the water on Tablerock and received your postcard to comment. Here is my comment above. I hope that there are things that we can do to keep the lake the way it was.

Lauren Britton (Bachleda)

**Table Rock Lake Shoreline Management Plan
Revision, Environmental Assessment,
Master Plan Comment Form**



Please use this form to respond to provide your comments on the draft revised Table Rock Lake Shoreline Management Plan and the draft Environmental Assessment. The draft revised Shoreline Management Plan and Environmental Assessment may be found on the web at <https://go.usa.gov/xN92n>. Please also include any comments you may have regarding the 2014 Table Rock Lake Master Plan. The 2014 Table Rock Lake Master Plan may be found on the web at <https://go.usa.gov/xN92n>. Feel free to take an extra form and sent it back later to the address listed below. **Comments must be submitted by August 30, 2017.**

Your Name/Organization: _____

Address: _____

E-mail: _____ **Phone:** _____

Please circle the number that best represents your opinion of the draft documents: Revised Shoreline Management Plan, draft Environmental Assessment, and draft Finding of No Significant Impact:

1	2	3	4	5	6	7	8	9	10
Strongly Disapprove									Strongly Approve

What are the most important factors that affect your opinion of the draft Revised Shoreline Management Plan? _____

What are the most important factors that affect your opinion of the draft Environmental Assessment and draft Finding of No Significant Impact prepared for the Shoreline Management Plan Revision? _____

Comments on the 2014 Master Plan: _____

Comments may be submitted via mail, email, fax or the project website with attention to: Table Rock Lake SMP/MP/EA Project Manager, Programs and Projects Management Division, USACE, Little Rock District, P.O. Box 867, Little Rock, AR 72203.

Fax: (501) 324-6518 **Email:** CESWL-TableRockShorelineManagementPlanUpdate@usace.army.mil

Website: <https://go.usa.gov/xN92n>

Written comments must be postmarked, e-mailed, faxed, or otherwise submitted by **August 30, 2017**.

Postage Required

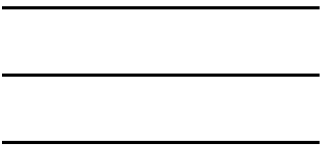


Table Rock Lake SMP/MP/EA Project Manager
Programs and Project Management Division, Civil
Works Branch
Little Rock District, U.S. Army Corps of Engineers
P.O. Box 867
Little Rock, AR 72203

-----**Fold Here**-----

Tape ends before mailing

PRIVACY ACT STATEMENT INSTRUCTIONS

AUTHORITY: ER 1130-2-550, and the laws and regulations referenced therein. **PRINCIPAL PURPOSE(S):** To provide a means for the maximum practicable public participation in Master Plan and Shoreline Management Plan formulation, preparation and subsequent revisions, through the use of public meetings, group workshops, open houses or other public involvement. **ROUTINE USE(S):** Information you provide will be available for public review or may be disclosed to members of the Department of Defense or other Government agencies who have a need for the information in performance of their official duties, and where use of such information is compatible with the purpose for which the information is collected. **DISCLOSURE:** Voluntary; however, failure to furnish the requested information may prevent the Agency from being able to direct meeting notices or provide additional information to commenters.

20170828_Broeker_B&Schultz_P

From: CESWL-Table Rock Shoreline Management Plan Update <CESWL-TableRockShorelineManagementPlanUpdate@usace.army.mil>
Sent: Tuesday, August 29, 2017 8:40 AM
To: Murphy, Gina L.
Subject: FW: [EXTERNAL] Table Rock Lake Shoreline Management Plan

-----Original Message-----

From: Gary`Brown [<mailto:garybrown06@sbcglobal.net>]
Sent: Monday, August 28, 2017 10:22 AM
To: CESWL-Table Rock Shoreline Management Plan Update <CESWL-TableRockShorelineManagementPlanUpdate@usace.army.mil>; savetablerock@gmail.com
Subject: [EXTERNAL] Table Rock Lake Shoreline Management Plan

TO: Corps of Engineers Decision Makers

FROM: Gary Brown

RE: Table Rock Lake Shoreline Management Plan

Dear Corps of Engineers Decision Makers,

I am deeply concerned about the drastic changes that are being proposed in your draft Shoreline Management Plan for Table Rock Lake. The community has been very clear in thousands of public comments submitted that we are opposed to over-regulation. We've asked many times for NO CHANGE to be made to the Plan, but there are several items of major concern:

- I object to the carrying capacity as it limits the right to use the lake.
- I object to tighter restrictions placed upon vegetative management permits.
- I object to the new non-transferable grandfathered vegetative management permit rule.
- I object to financial hardships of removing electricity from the lake.
- I object to only one request every five years for dock modification.
- I object to the 8' depth requirement for any new docks.

I would ask that the Shoreline Management Plan NOT be changed. At the very least, please do not allow the changes noted above to go into effect. It would have a devastating economic impact and would be detrimental to the public's right to use and enjoy our lake.

We think Table Rock Lake has been served well by the existing SMP.

I am encouraged that the public's comments during the process have been acknowledged by the Corps. Thank you for listening. Please continue to help us protect our rights to use and enjoy our beautiful lake.

20170828_Brown_G-W

Sincerely,

Gary Brown

From: CESWL-Table Rock Shoreline Management Plan Update <CESWL-TableRockShorelineManagementPlanUpdate@usace.army.mil>
Sent: Tuesday, August 29, 2017 8:39 AM
To: Murphy, Gina L.
Subject: FW: [EXTERNAL] Table Rock Lake Shoreline Management Plan

-----Original Message-----

From: KERI`BROWN [<mailto:dannykeribrown907@gmail.com>]
Sent: Monday, August 28, 2017 9:45 AM
To: CESWL-Table Rock Shoreline Management Plan Update <CESWL-TableRockShorelineManagementPlanUpdate@usace.army.mil>; savetablerock@gmail.com
Subject: [EXTERNAL] Table Rock Lake Shoreline Management Plan

TO: Corps of Engineers Decision Makers

FROM: KERI BROWN

RE: Table Rock Lake Shoreline Management Plan

Dear Corps of Engineers Decision Makers,

I am deeply concerned about the drastic changes that are being proposed in your draft Shoreline Management Plan for Table Rock Lake. The community has been very clear in thousands of public comments submitted that we are opposed to over-regulation. We've asked many times for NO CHANGE to be made to the Plan, but there are several items of major concern:

- I object to the carrying capacity as it limits the right to use the lake.
- I object to tighter restrictions placed upon vegetative management permits.
- I object to the new non-transferable grandfathered vegetative management permit rule.
- I object to financial hardships of removing electricity from the lake.
- I object to only one request every five years for dock modification.
- I object to the 8' depth requirement for any new docks.

I would ask that the Shoreline Management Plan NOT be changed. At the very least, please do not allow the changes noted above to go into effect. It would have a devastating economic impact and would be detrimental to the public's right to use and enjoy our lake.

I am encouraged that the public's comments during the process have been acknowledged by the Corps. Thank you for listening. Please continue to help us protect our rights to use and enjoy our beautiful lake.

Sincerely,

20170828_Brown_K-W

KERI BROWN

From: CESWL-Table Rock Shoreline Management Plan Update <CESWL-TableRockShorelineManagementPlanUpdate@usace.army.mil>
Sent: Tuesday, August 29, 2017 8:49 AM
To: Murphy, Gina L.
Subject: FW: [EXTERNAL] Table Rock Lake Shoreline Management Plan

-----Original Message-----

From: Mark Bryson [<mailto:spiritbranson@aol.com>]
Sent: Monday, August 28, 2017 6:37 PM
To: CESWL-Table Rock Shoreline Management Plan Update <CESWL-TableRockShorelineManagementPlanUpdate@usace.army.mil>; savetablerock@gmail.com
Subject: [EXTERNAL] Table Rock Lake Shoreline Management Plan

TO: Corps of Engineers Decision Makers

FROM: Mark Bryson

RE: Table Rock Lake Shoreline Management Plan

Dear Corps of Engineers Decision Makers,

I am deeply concerned about the drastic changes that are being proposed in your draft Shoreline Management Plan for Table Rock Lake. The community has been very clear in thousands of public comments submitted that we are opposed to over-regulation. We've asked many times for NO CHANGE to be made to the Plan, but there are several items of major concern:

- I object to the carrying capacity as it limits the right to use the lake.
- I object to tighter restrictions placed upon vegetative management permits.
- I object to the new non-transferable grandfathered vegetative management permit rule.
- I object to financial hardships of removing electricity from the lake.
- I object to only one request every five years for dock modification.
- I object to the 8' depth requirement for any new docks.

I would ask that the Shoreline Management Plan NOT be changed. At the very least, please do not allow the changes noted above to go into effect. It would have a devastating economic impact and would be detrimental to the public's right to use and enjoy our lake.

I have lived on Table Rock Lake for nearly 25 years have a boat at least 20 of those years with a boat slip. Our lake is beautiful and have enjoyed it over the years. Having been to the Lake of the Ozarks and seeing what a dirty and busy lake that has become, I do not want "MY" lake to become that, However,

20170828_Bryson_M-WA

the new restrictions you are proposing are unreasonable and ridiculous. I ask that you reconsider and modify you proposed plan, there has to be a happy medium.

I am encouraged that the public's comments during the process have been acknowledged by the Corps. Thank you for listening. Please continue to help us protect our rights to use and enjoy our beautiful lake.

Sincerely,

Mark Bryson

From: CESWL-Table Rock Shoreline Management Plan Update <CESWL-TableRockShorelineManagementPlanUpdate@usace.army.mil>
Sent: Tuesday, August 29, 2017 8:51 AM
To: Murphy, Gina L.
Subject: FW: [EXTERNAL] Table Rock Lake Shoreline Management Plan

-----Original Message-----

From: Amy`Buffalow [<mailto:abuffalow@yahoo.com>]
Sent: Monday, August 28, 2017 11:26 PM
To: CESWL-Table Rock Shoreline Management Plan Update <CESWL-TableRockShorelineManagementPlanUpdate@usace.army.mil>; savetablerock@gmail.com
Subject: [EXTERNAL] Table Rock Lake Shoreline Management Plan

TO: Corps of Engineers Decision Makers

FROM: Amy Buffalow

RE: Table Rock Lake Shoreline Management Plan

Dear Corps of Engineers Decision Makers,

I am deeply concerned about the drastic changes that are being proposed in your draft Shoreline Management Plan for Table Rock Lake. The community has been very clear in thousands of public comments submitted that we are opposed to over-regulation. We've asked many times for NO CHANGE to be made to the Plan, but there are several items of major concern:

- I object to the carrying capacity as it limits the right to use the lake.
- I object to tighter restrictions placed upon vegetative management permits.
- I object to the new non-transferable grandfathered vegetative management permit rule.
- I object to financial hardships of removing electricity from the lake.
- I object to only one request every five years for dock modification.
- I object to the 8' depth requirement for any new docks.

I would ask that the Shoreline Management Plan NOT be changed. At the very least, please do not allow the changes noted above to go into effect. It would have a devastating economic impact and would be detrimental to the public's right to use and enjoy our lake.

Why in an area that depends on tourism would you want to limit the use of the lake? An if you're not wanting to limit the tourist, then why would you restrict all of us who live, work and play in and around Table Rock? The restrictions you are wanting to implement are not fair.

20170828_Buffalow_A-WA

I am encouraged that the public's comments during the process have been acknowledged by the Corps. Thank you for listening. Please continue to help us protect our rights to use and enjoy our beautiful lake.

Sincerely,

Amy Buffalow

From: CESWL-Table Rock Shoreline Management Plan Update <CESWL-TableRockShorelineManagementPlanUpdate@usace.army.mil>
Sent: Tuesday, August 29, 2017 8:51 AM
To: Murphy, Gina L.
Subject: FW: [EXTERNAL] Table Rock Lake Shoreline Management Plan

-----Original Message-----

From: Terry`Buffalow [<mailto:tbuffalow@yahoo.com>]
Sent: Monday, August 28, 2017 11:32 PM
To: CESWL-Table Rock Shoreline Management Plan Update <CESWL-TableRockShorelineManagementPlanUpdate@usace.army.mil>; savetablerock@gmail.com
Subject: [EXTERNAL] Table Rock Lake Shoreline Management Plan

TO: Corps of Engineers Decision Makers

FROM: Terry Buffalow

RE: Table Rock Lake Shoreline Management Plan

Dear Corps of Engineers Decision Makers,

I am deeply concerned about the drastic changes that are being proposed in your draft Shoreline Management Plan for Table Rock Lake. The community has been very clear in thousands of public comments submitted that we are opposed to over-regulation. We've asked many times for NO CHANGE to be made to the Plan, but there are several items of major concern:

- I object to the carrying capacity as it limits the right to use the lake.
- I object to tighter restrictions placed upon vegetative management permits.
- I object to the new non-transferable grandfathered vegetative management permit rule.
- I object to financial hardships of removing electricity from the lake.
- I object to only one request every five years for dock modification.
- I object to the 8' depth requirement for any new docks.

I would ask that the Shoreline Management Plan NOT be changed. At the very least, please do not allow the changes noted above to go into effect. It would have a devastating economic impact and would be detrimental to the public's right to use and enjoy our lake.

We live here and love our lake as it is! Please stop trying to change things. Tourist love coming here, but that will change with restrictions being put on our waters. Our lake is well managed and the current restrictions are strict enough.

20170828_Buffalow_T-WA

I am encouraged that the public's comments during the process have been acknowledged by the Corps. Thank you for listening. Please continue to help us protect our rights to use and enjoy our beautiful lake.

Sincerely,

Terry Buffalow

From: CESWL-Table Rock Shoreline Management Plan Update <CESWL-TableRockShorelineManagementPlanUpdate@usace.army.mil>
Sent: Tuesday, August 29, 2017 8:50 AM
To: Murphy, Gina L.
Subject: FW: [EXTERNAL] Table Rock Lake Shoreline Management Plan

-----Original Message-----

From: Paul Bunce [<mailto:buncecarpet@gmail.com>]
Sent: Monday, August 28, 2017 8:57 PM
To: CESWL-Table Rock Shoreline Management Plan Update <CESWL-TableRockShorelineManagementPlanUpdate@usace.army.mil>; savetablerock@gmail.com
Subject: [EXTERNAL] Table Rock Lake Shoreline Management Plan

TO: Corps of Engineers Decision Makers

FROM: Paul Bunce

RE: Table Rock Lake Shoreline Management Plan

Dear Corps of Engineers Decision Makers,

I am deeply concerned about the drastic changes that are being proposed in your draft Shoreline Management Plan for Table Rock Lake. The community has been very clear in thousands of public comments submitted that we are opposed to over-regulation. We've asked many times for NO CHANGE to be made to the Plan, but there are several items of major concern:

- I object to the carrying capacity as it limits the right to use the lake.
- I object to tighter restrictions placed upon vegetative management permits.
- I object to the new non-transferable grandfathered vegetative management permit rule.
- I object to financial hardships of removing electricity from the lake.
- I object to only one request every five years for dock modification.
- I object to the 8' depth requirement for any new docks.

I would ask that the Shoreline Management Plan NOT be changed. At the very least, please do not allow the changes noted above to go into effect. It would have a devastating economic impact and would be detrimental to the public's right to use and enjoy our lake.

I am encouraged that the public's comments during the process have been acknowledged by the Corps. Thank you for listening. Please continue to help us protect our rights to use and enjoy our beautiful lake.

Sincerely,

20170828_Bunce_P-W

Paul Bunce

From: CESWL-Table Rock Shoreline Management Plan Update <CESWL-TableRockShorelineManagementPlanUpdate@usace.army.mil>
Sent: Tuesday, August 29, 2017 8:41 AM
To: Murphy, Gina L.
Subject: FW: [EXTERNAL] Table Rock Lake Shoreline Management Plan

-----Original Message-----

From: Tom`Buster [<mailto:tombuster52@gmail.com>]
Sent: Monday, August 28, 2017 11:16 AM
To: CESWL-Table Rock Shoreline Management Plan Update <CESWL-TableRockShorelineManagementPlanUpdate@usace.army.mil>; savetablerock@gmail.com
Subject: [EXTERNAL] Table Rock Lake Shoreline Management Plan

TO: Corps of Engineers Decision Makers

FROM: Tom Buster

RE: Table Rock Lake Shoreline Management Plan

Dear Corps of Engineers Decision Makers,

I am deeply concerned about the drastic changes that are being proposed in your draft Shoreline Management Plan for Table Rock Lake. The community has been very clear in thousands of public comments submitted that we are opposed to over-regulation. We've asked many times for NO CHANGE to be made to the Plan, but there are several items of major concern:

- I object to the carrying capacity as it limits the right to use the lake.
- I object to tighter restrictions placed upon vegetative management permits.
- I object to the new non-transferable grandfathered vegetative management permit rule.
- I object to financial hardships of removing electricity from the lake.
- I object to only one request every five years for dock modification.
- I object to the 8' depth requirement for any new docks.

I would ask that the Shoreline Management Plan NOT be changed. At the very least, please do not allow the changes noted above to go into effect. It would have a devastating economic impact and would be detrimental to the public's right to use and enjoy our lake.

I am encouraged that the public's comments during the process have been acknowledged by the Corps. Thank you for listening. Please continue to help us protect our rights to use and enjoy our beautiful lake.

Sincerely,

20170828_Buster_T-W

Tom Buster

From: CESWL-Table Rock Shoreline Management Plan Update <CESWL-TableRockShorelineManagementPlanUpdate@usace.army.mil>
Sent: Tuesday, August 29, 2017 8:50 AM
To: Murphy, Gina L.
Subject: FW: [EXTERNAL] Table Rock Lake Shoreline Management Plan

-----Original Message-----

From: Thomas`Clark [<mailto:tclarkom@yahoo.com>]
Sent: Monday, August 28, 2017 9:42 PM
To: CESWL-Table Rock Shoreline Management Plan Update <CESWL-TableRockShorelineManagementPlanUpdate@usace.army.mil>; savetablerock@gmail.com
Subject: [EXTERNAL] Table Rock Lake Shoreline Management Plan

TO: Corps of Engineers Decision Makers

FROM: Thomas Clark

RE: Table Rock Lake Shoreline Management Plan

Dear Corps of Engineers Decision Makers,

I am deeply concerned about the drastic changes that are being proposed in your draft Shoreline Management Plan for Table Rock Lake. The community has been very clear in thousands of public comments submitted that we are opposed to over-regulation. We've asked many times for NO CHANGE to be made to the Plan, but there are several items of major concern:

- I object to the carrying capacity as it limits the right to use the lake.
- I object to tighter restrictions placed upon vegetative management permits.
- I object to the new non-transferable grandfathered vegetative management permit rule.
- I object to financial hardships of removing electricity from the lake.
- I object to only one request every five years for dock modification.
- I object to the 8' depth requirement for any new docks.

I would ask that the Shoreline Management Plan NOT be changed. At the very least, please do not allow the changes noted above to go into effect. It would have a devastating economic impact and would be detrimental to the public's right to use and enjoy our lake.

I am encouraged that the public's comments during the process have been acknowledged by the Corps. Thank you for listening. Please continue to help us protect our rights to use and enjoy our beautiful lake.

Sincerely,

20170828_Clark_T-W

Thomas Clark

From: CESWL-Table Rock Shoreline Management Plan Update <CESWL-TableRockShorelineManagementPlanUpdate@usace.army.mil>
Sent: Tuesday, August 29, 2017 8:38 AM
To: Murphy, Gina L.
Subject: FW: [EXTERNAL] Table Rock Lake Shoreline Management Plan

-----Original Message-----

From: Don`Claxton [<mailto:dclaxton302@centurytel.net>]
Sent: Monday, August 28, 2017 8:32 AM
To: CESWL-Table Rock Shoreline Management Plan Update <CESWL-TableRockShorelineManagementPlanUpdate@usace.army.mil>; savetablerock@gmail.com
Subject: [EXTERNAL] Table Rock Lake Shoreline Management Plan

TO: Corps of Engineers Decision Makers

FROM: Don Claxton

RE: Table Rock Lake Shoreline Management Plan

Dear Corps of Engineers Decision Makers,

I am deeply concerned about the drastic changes that are being proposed in your draft Shoreline Management Plan for Table Rock Lake. The community has been very clear in thousands of public comments submitted that we are opposed to over-regulation. We've asked many times for NO CHANGE to be made to the Plan, but there are several items of major concern:

- I object to the carrying capacity as it limits the right to use the lake.
- I object to tighter restrictions placed upon vegetative management permits.
- I object to the new non-transferable grandfathered vegetative management permit rule.
- I object to financial hardships of removing electricity from the lake.
- I object to only one request every five years for dock modification.
- I object to the 8' depth requirement for any new docks.

I would ask that the Shoreline Management Plan NOT be changed. At the very least, please do not allow the changes noted above to go into effect. It would have a devastating economic impact and would be detrimental to the public's right to use and enjoy our lake.

Remember you work for me !! We do not need more government regulations, we need LESS. By putting these regulations in place you are creating more problems than you are solving . You will screw up a good thing with these proposed regulations. Think what you are doing !!!!!!!!!!!

20170828_Claxton_D_WA

I am encouraged that the public's comments during the process have been acknowledged by the Corps. Thank you for listening. Please continue to help us protect our rights to use and enjoy our beautiful lake.

Sincerely,

Don Claxton

From: CESWL-Table Rock Shoreline Management Plan Update <CESWL-TableRockShorelineManagementPlanUpdate@usace.army.mil>
Sent: Tuesday, August 29, 2017 8:50 AM
To: Murphy, Gina L.
Subject: FW: [EXTERNAL] Table Rock Lake Shoreline Management Plan

-----Original Message-----

From: Tommy`Cook [<mailto:t.cook09@live.com>]
Sent: Monday, August 28, 2017 10:34 PM
To: CESWL-Table Rock Shoreline Management Plan Update <CESWL-TableRockShorelineManagementPlanUpdate@usace.army.mil>; savetablerock@gmail.com
Subject: [EXTERNAL] Table Rock Lake Shoreline Management Plan

TO: Corps of Engineers Decision Makers

FROM: Tommy Cook

RE: Table Rock Lake Shoreline Management Plan

Dear Corps of Engineers Decision Makers,

I am deeply concerned about the drastic changes that are being proposed in your draft Shoreline Management Plan for Table Rock Lake. The community has been very clear in thousands of public comments submitted that we are opposed to over-regulation. We've asked many times for NO CHANGE to be made to the Plan, but there are several items of major concern:

- I object to the carrying capacity as it limits the right to use the lake.
- I object to tighter restrictions placed upon vegetative management permits.
- I object to the new non-transferable grandfathered vegetative management permit rule.
- I object to financial hardships of removing electricity from the lake.
- I object to only one request every five years for dock modification.
- I object to the 8' depth requirement for any new docks.

I would ask that the Shoreline Management Plan NOT be changed. At the very least, please do not allow the changes noted above to go into effect. It would have a devastating economic impact and would be detrimental to the public's right to use and enjoy our lake.

I am encouraged that the public's comments during the process have been acknowledged by the Corps. Thank you for listening. Please continue to help us protect our rights to use and enjoy our beautiful lake.

Sincerely,

20170828_Cook_T-W

Tommy Cook

From: CESWL-Table Rock Shoreline Management Plan Update <CESWL-TableRockShorelineManagementPlanUpdate@usace.army.mil>
Sent: Tuesday, August 29, 2017 8:48 AM
To: Murphy, Gina L.
Subject: FW: [EXTERNAL] Table Rock Lake Shoreline Management Plan

-----Original Message-----

From: Ronald `Coomes [<mailto:fed2830@gmail.com>]
Sent: Monday, August 28, 2017 5:00 PM
To: CESWL-Table Rock Shoreline Management Plan Update <CESWL-TableRockShorelineManagementPlanUpdate@usace.army.mil>; savetablerock@gmail.com
Subject: [EXTERNAL] Table Rock Lake Shoreline Management Plan

TO: Corps of Engineers Decision Makers

FROM: Ronald Coomes

RE: Table Rock Lake Shoreline Management Plan

Dear Corps of Engineers Decision Makers,

I am deeply concerned about the drastic changes that are being proposed in your draft Shoreline Management Plan for Table Rock Lake. The community has been very clear in thousands of public comments submitted that we are opposed to over-regulation. We've asked many times for NO CHANGE to be made to the Plan, but there are several items of major concern:

- I object to the carrying capacity as it limits the right to use the lake.
- I object to tighter restrictions placed upon vegetative management permits.
- I object to the new non-transferable grandfathered vegetative management permit rule.
- I object to financial hardships of removing electricity from the lake.
- I object to only one request every five years for dock modification.
- I object to the 8' depth requirement for any new docks.

I would ask that the Shoreline Management Plan NOT be changed. At the very least, please do not allow the changes noted above to go into effect. It would have a devastating economic impact and would be detrimental to the public's right to use and enjoy our lake.

I attended the meeting at Reed's Spring High School recently and had a very good conversation with Dr. Hathaway. He seemed to understand the objections to the solar requirement for existing docks and some of the other proposals. As I pointed out, a solar plant on our community dock would require 10000 lbs of lead acid batteries on a floating platform. Not only much more dangerous than existing shore

20170828_Coomes_R-WA

power but would expose the lake to a toxic spill should a tornado or other accident sink the platform. The cost would be at least \$150,000 which we could not afford. This would result in the use of on board generators on larger boats running many hours of the day. Not very "green". Many others would "temporarily" use portable generators which is allowed under the proposal. Also very inefficient and not "green". As to the safety issue no one at the meeting from the Corps could document any dock electrocutions on Table Rock Lake. I have talked to people who have been here for 30 yrs and do not know of any issues with electrical safety on Table Rock Lake docks. We are not Lake of the Ozarks, we do it right. Our docks are powered directly from a utility company feed, not wired up by someone from their house like Lake of the Ozarks.

We also have "grandfathered" access and parking for our dock which apparently would now be prohibited under the plan. This would create an unsafe situation as many folks on our dock are older and walking through the woods is not an option. Not sure what the purpose is of prohibiting access that has been allowed since the lake was impounded.

We need the no wake buoys for safety near many docks on the lake, especially with the proliferation of the newer surf wake boats that throw four to six foot wake. We will have many incidents of "dock rage" and probably serious injury and deaths from accidents if these boats are allowed to pass within 20 feet of docks at speed. Makes no sense to allow docks deep in quiet coves and offer no protection for them. If private and community docks lose the no wake privilege then the licensed public and resort marinas should fall under the same rules and lose their protection. No reason I should have to slow down going past Big Cedar marina if their guests who rent boats can buzz our docks twenty feet away without restriction.

My take is the old adage, "If it ain't broke don't fix it".

Thanks

I am encouraged that the public's comments during the process have been acknowledged by the Corps. Thank you for listening. Please continue to help us protect our rights to use and enjoy our beautiful lake.

Sincerely,

Ronald Coomes



Table Rock Lake Shoreline Management Plan Revision, Environmental Assessment, Master Plan Comment Form



Please use this form to respond to provide your comments on the draft revised Table Rock Lake Shoreline Management Plan and the draft Environmental Assessment. The draft revised Shoreline Management Plan and Environmental Assessment may be found on the web at <https://go.usa.gov/xN92n>. Please also include any comments you may have regarding the 2014 Table Rock Lake Master Plan. The 2014 Table Rock Lake Master Plan may be found on the web at <https://go.usa.gov/xN92n>. Feel free to take an extra form and send it back later to the address listed below. **Comments must be submitted by August 30, 2017.**

Your Name/Organization: Dale T Crabtree

Address: 130 Morning Star Rd Ridgeland MO 65730

E-mail: tcoukdoorpower@gmail.com Phone: 860-281-8031

Please circle the number that best represents your opinion of the draft documents: Revised Shoreline Management Plan, draft Environmental Assessment, and draft Finding of No Significant Impact:

1 2 **3** 4 5 6 7 8 9 10
Strongly Disapprove Strongly Approve

What are the most important factors that affect your opinion of the draft Revised Shoreline Management Plan? _____

I'm aggravated at being crowed out of the use of my boat slip by the local pit bull owning parasites and nightly renters that don't pay a dime in property tax for being on waterfront. I pay over \$4k a year then you put restrictions that only affect us property and slip owners. You take out our buoys and put my kids and grand kids in danger. You make us pull electricity after paying to put on dock and paying to maintain at our cost and your restrictions. Now put in solar again at our cost for the thieves to steal. Most all boats around Long Point are being operated by inexperienced boat renters and they are so thick from May through August. I know you haven't studied that due to you have burn restrictions and the non taxpayers still have fires burning by my \$60k boat and \$40 boat slip most every night so it's obvious to us that its not them you will restrict or take off water. I will agree to all of your plans and restrictions if you will go to Taney county and have our taxes dropped by 85% and reimburse my investment on house, boat and slip due to not being able to use due to your restrictions on property owner and nothing restricting boat rentals, nightly rentals and non taxpaying locals, it only affects the ones of us who pay the taxes to be here due to we are the ones who will obey the restrictions, SMART!!!!!!

Now you drop registering boats to slips at corps office and that will open up slips to the use by nightly renters. You should send a trash truck at the corps expense to clean up at the Long Point public access. We are tired of cleaning up after non taxpayers. Please do not confuse our opinion as agreeing with the Branson board of realtors. We notice that as you choke out the property owner with more restrictions you give commercial property a full pass look no further than Lake of Ozarks to see the near future of Table Rock commercialized.

Comments may be submitted via mail, email, fax or the project website with attention to: Table Rock Lake SMP/MP/EA Project Manager, Programs and Projects Management Division, USACE, Little Rock District, P.O. Box 867, Little Rock, AR 72203.
Fax: (501) 324-6518 Email: CESWE-TableRockShorelineManagementPlanUpdate@usace.army.mil

Website: <https://go.usa.gov/xN92n>

Written comments must be postmarked, e-mailed, faxed, or otherwise submitted by **August 30, 2017.**

From: CESWL-Table Rock Shoreline Management Plan Update <CESWL-TableRockShorelineManagementPlanUpdate@usace.army.mil>
Sent: Tuesday, August 29, 2017 8:41 AM
To: Murphy, Gina L.
Subject: FW: [EXTERNAL] Table Rock Lake Shoreline Management Plan

-----Original Message-----

From: Boyd`Crockett [<mailto:Boyd.crockett@coxhealth.com>]
Sent: Monday, August 28, 2017 10:48 AM
To: CESWL-Table Rock Shoreline Management Plan Update <CESWL-TableRockShorelineManagementPlanUpdate@usace.army.mil>; savetablerock@gmail.com
Subject: [EXTERNAL] Table Rock Lake Shoreline Management Plan

TO: Corps of Engineers Decision Makers

FROM: Boyd Crockett

RE: Table Rock Lake Shoreline Management Plan

Dear Corps of Engineers Decision Makers,

I am deeply concerned about the drastic changes that are being proposed in your draft Shoreline Management Plan for Table Rock Lake. The community has been very clear in thousands of public comments submitted that we are opposed to over-regulation. We've asked many times for NO CHANGE to be made to the Plan, but there are several items of major concern:

- I object to the carrying capacity as it limits the right to use the lake.
- I object to tighter restrictions placed upon vegetative management permits.
- I object to the new non-transferable grandfathered vegetative management permit rule.
- I object to financial hardships of removing electricity from the lake.
- I object to only one request every five years for dock modification.
- I object to the 8' depth requirement for any new docks.

I would ask that the Shoreline Management Plan NOT be changed. At the very least, please do not allow the changes noted above to go into effect. It would have a devastating economic impact and would be detrimental to the public's right to use and enjoy our lake.

I am encouraged that the public's comments during the process have been acknowledged by the Corps. Thank you for listening. Please continue to help us protect our rights to use and enjoy our beautiful lake.

Sincerely,

20170828_Crockett_B-W

Boyd Crockett

From: CESWL-Table Rock Shoreline Management Plan Update <CESWL-TableRockShorelineManagementPlanUpdate@usace.army.mil>
Sent: Tuesday, August 29, 2017 8:36 AM
To: Murphy, Gina L.
Subject: FW: [EXTERNAL] Table Rock Lake Shoreline Management Plan

-----Original Message-----

From: James`Cybulski [<mailto:jmcybulski@aol.com>]
Sent: Monday, August 28, 2017 12:05 AM
To: CESWL-Table Rock Shoreline Management Plan Update <CESWL-TableRockShorelineManagementPlanUpdate@usace.army.mil>; savetablerock@gmail.com
Subject: [EXTERNAL] Table Rock Lake Shoreline Management Plan

TO: Corps of Engineers Decision Makers

FROM: James Cybulski

RE: Table Rock Lake Shoreline Management Plan

Dear Corps of Engineers Decision Makers,

I am deeply concerned about the drastic changes that are being proposed in your draft Shoreline Management Plan for Table Rock Lake. The community has been very clear in thousands of public comments submitted that we are opposed to over-regulation. We've asked many times for NO CHANGE to be made to the Plan, but there are several items of major concern:

- I object to the carrying capacity as it limits the right to use the lake.
- I object to tighter restrictions placed upon vegetative management permits.
- I object to the new non-transferable grandfathered vegetative management permit rule.
- I object to financial hardships of removing electricity from the lake.
- I object to only one request every five years for dock modification.
- I object to the 8' depth requirement for any new docks.

I would ask that the Shoreline Management Plan NOT be changed. At the very least, please do not allow the changes noted above to go into effect. It would have a devastating economic impact and would be detrimental to the public's right to use and enjoy our lake.

They need to be stopped

I am encouraged that the public's comments during the process have been acknowledged by the Corps. Thank you for listening. Please continue to help us protect our rights to use and enjoy our beautiful lake.

20170828_Cybulski_J-W

Sincerely,

James Cybulski

From: CESWL-Table Rock Shoreline Management Plan Update <CESWL-TableRockShorelineManagementPlanUpdate@usace.army.mil>
Sent: Tuesday, August 29, 2017 8:43 AM
To: Murphy, Gina L.
Subject: FW: [EXTERNAL] Little Rock District Contact Form: Table Rock Lake Shoreline Management Plan

-----Original Message-----

From: Coburn, Dana O CIV USARMY CESWL (US)
Sent: Monday, August 28, 2017 12:16 PM
To: CESWL-Table Rock Shoreline Management Plan Update
<CESWL-TableRockShorelineManagementPlanUpdate@usace.army.mil>
Subject: FW: [EXTERNAL] Little Rock District Contact Form: Table Rock Lake Shoreline Management Plan

-----Original Message-----

From: CESWL-TR-DutyRoom SWL
Sent: Monday, August 28, 2017 11:11 AM
To: Coburn, Dana O CIV USARMY CESWL (US) <Dana.O.Coburn@usace.army.mil>
Subject: FW: [EXTERNAL] Little Rock District Contact Form: Table Rock Lake Shoreline Management Plan

Dana,

More SMP comments.

V/R

Malcolm Fortson
Park Ranger
US Army Corps of Engineers
Table Rock Project Office
4600 State Highway 165
Branson, Missouri 65616
(501) 340-1935 (DUTY ROOM OFFICE)
DutyRoom.TableRock@usace.army.mil
(417) 334-4169 FAX
malcolm.w.fortson@usace.army.mil
<http://www.swl.usace.army.mil/Missions/Recreation/Lakes/TableRockLake.aspx>
<https://anglerspy.com/> for water temp.
Shoreline Zoning Map @ <http://arcg.is/1sZArCj>
<http://www.swl.usace.army.mil/Missions/Planning/Table-Rock-Lake-Shoreline-Management-Plan/>
Table Rock SMP Information @ <http://go.usa.gov/MG34>.
Possible Flowage Easement

20170828_Cziczko_B

<http://www.swl.usace.army.mil/Missions/Recreation/Lakes/TableRockLake/ShorelineManagement.aspx>

-----Original Message-----

From: swl-admin@dma.mil [<mailto:swl-admin@dma.mil>]
Sent: Monday, August 28, 2017 8:31 AM
To: CESWL-TR-DutyRoom SWL <DutyRoom.TableRock@usace.army.mil>
Subject: [EXTERNAL] Little Rock District Contact Form: Table Rock Lake Shoreline Management Plan

This message was sent from the Little Rock District website.

Message From: Barbara Cziczko

Email: lovnewfes@hotmail.com

Response requested: No

Message:

We own a lot above the take line, would mowing still be allowed ? We also have patio steps to our lower level since we are on a slope, must we remove them ? Removing no-wake bouys near a dock seems like a BAD idea, a safety issue. Boaters would not see the signs at night and hit docks. Requiring solar power to docks is a BAD idea. What about foggy days when batteries would not get charged. This would Also mean battery storage on shore, too much clutter, possible generators and gasoline to power them. Seems like too much of a safety issue also. AND tremendous expense for dock and slip owners.

HTTP_CMS_CLIENT_IP:
HTTP_X_ARR_LOG_ID: eaf5f1c4-b495-43fd-b804-84c846d022ed
HTTP_ORIGIN: Blockedhttp://www.swl.usace.army.mil
HTTP_TRUE_CLIENT_IP: 173.218.77.75

20170828_Cziczko_B

From: CESWL-Table Rock Shoreline Management Plan Update <CESWL-TableRockShorelineManagementPlanUpdate@usace.army.mil>
Sent: Tuesday, August 29, 2017 8:38 AM
To: Murphy, Gina L.
Subject: FW: [EXTERNAL] Table Rock Lake Shoreline Management Plan

-----Original Message-----

From: Terry`Davis [<mailto:terry9003@yahoo.com>]
Sent: Monday, August 28, 2017 8:24 AM
To: CESWL-Table Rock Shoreline Management Plan Update <CESWL-TableRockShorelineManagementPlanUpdate@usace.army.mil>; savetablerock@gmail.com
Subject: [EXTERNAL] Table Rock Lake Shoreline Management Plan

TO: Corps of Engineers Decision Makers

FROM: Terry Davis

RE: Table Rock Lake Shoreline Management Plan

Dear Corps of Engineers Decision Makers,

I am deeply concerned about the drastic changes that are being proposed in your draft Shoreline Management Plan for Table Rock Lake. The community has been very clear in thousands of public comments submitted that we are opposed to over-regulation. We've asked many times for NO CHANGE to be made to the Plan, but there are several items of major concern:

- I object to the carrying capacity as it limits the right to use the lake.
- I object to tighter restrictions placed upon vegetative management permits.
- I object to the new non-transferable grandfathered vegetative management permit rule.
- I object to financial hardships of removing electricity from the lake.
- I object to only one request every five years for dock modification.
- I object to the 8' depth requirement for any new docks.

I would ask that the Shoreline Management Plan NOT be changed. At the very least, please do not allow the changes noted above to go into effect. It would have a devastating economic impact and would be detrimental to the public's right to use and enjoy our lake.

If all this passes, I will not be able to enjoy Table Rock Lak

I am encouraged that the public's comments during the process have been acknowledged by the Corps. Thank you for listening. Please continue to help us protect our rights to use and enjoy our beautiful lake.

20170828_Davis_T-W

Sincerely,

Terry Davis

From: CESWL-Table Rock Shoreline Management Plan Update <CESWL-TableRockShorelineManagementPlanUpdate@usace.army.mil>
Sent: Tuesday, August 29, 2017 8:41 AM
To: Murphy, Gina L.
Subject: FW: [EXTERNAL] Table Rock Lake Shoreline Management Plan

-----Original Message-----

From: Ron`Doke [<mailto:rondoke@yahoo.com>]
Sent: Monday, August 28, 2017 10:47 AM
To: CESWL-Table Rock Shoreline Management Plan Update <CESWL-TableRockShorelineManagementPlanUpdate@usace.army.mil>; savetablerock@gmail.com
Subject: [EXTERNAL] Table Rock Lake Shoreline Management Plan

TO: Corps of Engineers Decision Makers

FROM: Ron Doke

RE: Table Rock Lake Shoreline Management Plan

Dear Corps of Engineers Decision Makers,

I am deeply concerned about the drastic changes that are being proposed in your draft Shoreline Management Plan for Table Rock Lake. The community has been very clear in thousands of public comments submitted that we are opposed to over-regulation. We've asked many times for NO CHANGE to be made to the Plan, but there are several items of major concern:

- I object to the carrying capacity as it limits the right to use the lake.
- I object to tighter restrictions placed upon vegetative management permits.
- I object to the new non-transferable grandfathered vegetative management permit rule.
- I object to financial hardships of removing electricity from the lake.
- I object to only one request every five years for dock modification.
- I object to the 8' depth requirement for any new docks.

I would ask that the Shoreline Management Plan NOT be changed. At the very least, please do not allow the changes noted above to go into effect. It would have a devastating economic impact and would be detrimental to the public's right to use and enjoy our lake.

I also object to the ban on storage of personal property. This whole idea and in detail is an overreach of regulation on the citizens.

20170828_Doke_R-WA

I am encouraged that the public's comments during the process have been acknowledged by the Corps. Thank you for listening. Please continue to help us protect our rights to use and enjoy our beautiful lake.

Sincerely,

Ron Doke

From: CESWL-Table Rock Shoreline Management Plan Update <CESWL-TableRockShorelineManagementPlanUpdate@usace.army.mil>
Sent: Tuesday, August 29, 2017 8:48 AM
To: Murphy, Gina L.
Subject: FW: [EXTERNAL] Table Rock Lake Shoreline Management Plan

-----Original Message-----

From: Roy`Downen [<mailto:rddownen@embarqmail.com>]
Sent: Monday, August 28, 2017 6:23 PM
To: CESWL-Table Rock Shoreline Management Plan Update <CESWL-TableRockShorelineManagementPlanUpdate@usace.army.mil>; savetablerock@gmail.com
Subject: [EXTERNAL] Table Rock Lake Shoreline Management Plan

TO: Corps of Engineers Decision Makers

FROM: Roy Downen

RE: Table Rock Lake Shoreline Management Plan

Dear Corps of Engineers Decision Makers,

I am deeply concerned about the drastic changes that are being proposed in your draft Shoreline Management Plan for Table Rock Lake. The community has been very clear in thousands of public comments submitted that we are opposed to over-regulation. We've asked many times for NO CHANGE to be made to the Plan, but there are several items of major concern:

- I object to the carrying capacity as it limits the right to use the lake.
- I object to tighter restrictions placed upon vegetative management permits.
- I object to the new non-transferable grandfathered vegetative management permit rule.
- I object to financial hardships of removing electricity from the lake.
- I object to only one request every five years for dock modification.
- I object to the 8' depth requirement for any new docks.

I would ask that the Shoreline Management Plan NOT be changed. At the very least, please do not allow the changes noted above to go into effect. It would have a devastating economic impact and would be detrimental to the public's right to use and enjoy our lake.

I am encouraged that the public's comments during the process have been acknowledged by the Corps. Thank you for listening. Please continue to help us protect our rights to use and enjoy our beautiful lake.

Sincerely,

20170828_Downen_R-W

Roy Downen

From: CESWL-Table Rock Shoreline Management Plan Update <CESWL-TableRockShorelineManagementPlanUpdate@usace.army.mil>
Sent: Tuesday, August 29, 2017 8:42 AM
To: Murphy, Gina L.
Subject: FW: [EXTERNAL] Table Rock Lake Shoreline Management Plan

-----Original Message-----

From: Tim`Dunn [<mailto:jtteddunn82@csteldridge.com>]
Sent: Monday, August 28, 2017 11:25 AM
To: CESWL-Table Rock Shoreline Management Plan Update <CESWL-TableRockShorelineManagementPlanUpdate@usace.army.mil>; savetablerock@gmail.com
Subject: [EXTERNAL] Table Rock Lake Shoreline Management Plan

TO: Corps of Engineers Decision Makers

FROM: Tim Dunn

RE: Table Rock Lake Shoreline Management Plan

Dear Corps of Engineers Decision Makers,

I am deeply concerned about the drastic changes that are being proposed in your draft Shoreline Management Plan for Table Rock Lake. The community has been very clear in thousands of public comments submitted that we are opposed to over-regulation. We've asked many times for NO CHANGE to be made to the Plan, but there are several items of major concern:

- I object to the carrying capacity as it limits the right to use the lake.
- I object to tighter restrictions placed upon vegetative management permits.
- I object to the new non-transferable grandfathered vegetative management permit rule.
- I object to financial hardships of removing electricity from the lake.
- I object to only one request every five years for dock modification.
- I object to the 8' depth requirement for any new docks.

I would ask that the Shoreline Management Plan NOT be changed. At the very least, please do not allow the changes noted above to go into effect. It would have a devastating economic impact and would be detrimental to the public's right to use and enjoy our lake.

I am encouraged that the public's comments during the process have been acknowledged by the Corps. Thank you for listening. Please continue to help us protect our rights to use and enjoy our beautiful lake.

Sincerely,

20170828_Dunn_T-W

Tim Dunn

From: CESWL-Table Rock Shoreline Management Plan Update <CESWL-TableRockShorelineManagementPlanUpdate@usace.army.mil>
Sent: Tuesday, August 29, 2017 8:46 AM
To: Murphy, Gina L.
Subject: FW: [EXTERNAL] Table Rock Lake Shoreline Management Plan

-----Original Message-----

From: ROY`EDGE [<mailto:redge89943@aol.com>]
Sent: Monday, August 28, 2017 3:26 PM
To: CESWL-Table Rock Shoreline Management Plan Update <CESWL-TableRockShorelineManagementPlanUpdate@usace.army.mil>; savetablerock@gmail.com
Subject: [EXTERNAL] Table Rock Lake Shoreline Management Plan

TO: Corps of Engineers Decision Makers

FROM: ROY EDGE

RE: Table Rock Lake Shoreline Management Plan

Dear Corps of Engineers Decision Makers,

I am deeply concerned about the drastic changes that are being proposed in your draft Shoreline Management Plan for Table Rock Lake. The community has been very clear in thousands of public comments submitted that we are opposed to over-regulation. We've asked many times for NO CHANGE to be made to the Plan, but there are several items of major concern:

- I object to the carrying capacity as it limits the right to use the lake.
- I object to tighter restrictions placed upon vegetative management permits.
- I object to the new non-transferable grandfathered vegetative management permit rule.
- I object to financial hardships of removing electricity from the lake.
- I object to only one request every five years for dock modification.
- I object to the 8' depth requirement for any new docks.

I would ask that the Shoreline Management Plan NOT be changed. At the very least, please do not allow the changes noted above to go into effect. It would have a devastating economic impact and would be detrimental to the public's right to use and enjoy our lake.

As a Table Rock Lake user for 50 years I'm not understanding where some of these proposals are coming from. Small modifications may become necessary as things change but water quality has gotten better and small private docks are not covering the whole shoreline like some lakes. The economic impact of some of these proposals would be huge. Also we know of no dock electrocutions on our lake plus the

20170828_Edge_R-WA

electric co-ops that have spent large amounts to run lines to dock areas. A couple of the proposals don't add anything to the safety or look of the shoreline.but I see them only as another inconvenience to boaters and dock owners.

I am encouraged that the public's comments during the process have been acknowledged by the Corps. Thank you for listening. Please continue to help us protect our rights to use and enjoy our beautiful lake.

Sincerely,

ROY EDGE

From: CESWL-Table Rock Shoreline Management Plan Update <CESWL-TableRockShorelineManagementPlanUpdate@usace.army.mil>
Sent: Tuesday, August 29, 2017 8:47 AM
To: Murphy, Gina L.
Subject: FW: [EXTERNAL] Table Rock Lake Shoreline Management Plan

-----Original Message-----

From: Loren Epperly [<mailto:kkepperly@sbcglobal.net>]
Sent: Monday, August 28, 2017 3:48 PM
To: CESWL-Table Rock Shoreline Management Plan Update <CESWL-TableRockShorelineManagementPlanUpdate@usace.army.mil>; savetablerock@gmail.com
Subject: [EXTERNAL] Table Rock Lake Shoreline Management Plan

TO: Corps of Engineers Decision Makers

FROM: Loren Epperly

RE: Table Rock Lake Shoreline Management Plan

Dear Corps of Engineers Decision Makers,

I am deeply concerned about the drastic changes that are being proposed in your draft Shoreline Management Plan for Table Rock Lake. The community has been very clear in thousands of public comments submitted that we are opposed to over-regulation. We've asked many times for NO CHANGE to be made to the Plan, but there are several items of major concern:

- I object to the carrying capacity as it limits the right to use the lake.
- I object to tighter restrictions placed upon vegetative management permits.
- I object to the new non-transferable grandfathered vegetative management permit rule.
- I object to financial hardships of removing electricity from the lake.
- I object to only one request every five years for dock modification.
- I object to the 8' depth requirement for any new docks.

I would ask that the Shoreline Management Plan NOT be changed. At the very least, please do not allow the changes noted above to go into effect. It would have a devastating economic impact and would be detrimental to the public's right to use and enjoy our lake.

I am encouraged that the public's comments during the process have been acknowledged by the Corps. Thank you for listening. Please continue to help us protect our rights to use and enjoy our beautiful lake.

Sincerely,

20170828_Epperly_L-W

Loren Epperly

From: CESWL-Table Rock Shoreline Management Plan Update <CESWL-TableRockShorelineManagementPlanUpdate@usace.army.mil>
Sent: Tuesday, August 29, 2017 8:48 AM
To: Murphy, Gina L.
Subject: FW: [EXTERNAL] Table Rock Lake Shoreline Management Plan

-----Original Message-----

From: connie figgins [<mailto:harley1062@aol.com>]
Sent: Monday, August 28, 2017 6:26 PM
To: CESWL-Table Rock Shoreline Management Plan Update <CESWL-TableRockShorelineManagementPlanUpdate@usace.army.mil>; savetablerock@gmail.com
Subject: [EXTERNAL] Table Rock Lake Shoreline Management Plan

TO: Corps of Engineers Decision Makers

FROM: connie figgins

RE: Table Rock Lake Shoreline Management Plan

Dear Corps of Engineers Decision Makers,

I am deeply concerned about the drastic changes that are being proposed in your draft Shoreline Management Plan for Table Rock Lake. The community has been very clear in thousands of public comments submitted that we are opposed to over-regulation. We've asked many times for NO CHANGE to be made to the Plan, but there are several items of major concern:

- I object to the carrying capacity as it limits the right to use the lake.
- I object to tighter restrictions placed upon vegetative management permits.
- I object to the new non-transferable grandfathered vegetative management permit rule.
- I object to financial hardships of removing electricity from the lake.
- I object to only one request every five years for dock modification.
- I object to the 8' depth requirement for any new docks.

I would ask that the Shoreline Management Plan NOT be changed. At the very least, please do not allow the changes noted above to go into effect. It would have a devastating economic impact and would be detrimental to the public's right to use and enjoy our lake.

We have enjoyed Table Rock Lake for many years. The restrictions the Core is trying to place upon us are unrealistic and would require retirees to spend money that we do not have. Solar would be outrageously expensive. Most of us need a tv type vehicles to get back and forth to our boats.

20170828_Figgins_C-W

I am encouraged that the public's comments during the process have been acknowledged by the Corps. Thank you for listening. Please continue to help us protect our rights to use and enjoy our beautiful lake.

Sincerely,

connie figgins

From: CESWL-Table Rock Shoreline Management Plan Update <CESWL-TableRockShorelineManagementPlanUpdate@usace.army.mil>
Sent: Tuesday, August 29, 2017 8:48 AM
To: Murphy, Gina L.
Subject: FW: [EXTERNAL] Table Rock Lake Shoreline Management Plan

-----Original Message-----

From: Terry Figgins [<mailto:harley4069@aol.com>]
Sent: Monday, August 28, 2017 6:24 PM
To: CESWL-Table Rock Shoreline Management Plan Update <CESWL-TableRockShorelineManagementPlanUpdate@usace.army.mil>; savetablerock@gmail.com
Subject: [EXTERNAL] Table Rock Lake Shoreline Management Plan

TO: Corps of Engineers Decision Makers

FROM: Terry Figgins

RE: Table Rock Lake Shoreline Management Plan

Dear Corps of Engineers Decision Makers,

I am deeply concerned about the drastic changes that are being proposed in your draft Shoreline Management Plan for Table Rock Lake. The community has been very clear in thousands of public comments submitted that we are opposed to over-regulation. We've asked many times for NO CHANGE to be made to the Plan, but there are several items of major concern:

- I object to the carrying capacity as it limits the right to use the lake.
- I object to tighter restrictions placed upon vegetative management permits.
- I object to the new non-transferable grandfathered vegetative management permit rule.
- I object to financial hardships of removing electricity from the lake.
- I object to only one request every five years for dock modification.
- I object to the 8' depth requirement for any new docks.

I would ask that the Shoreline Management Plan NOT be changed. At the very least, please do not allow the changes noted above to go into effect. It would have a devastating economic impact and would be detrimental to the public's right to use and enjoy our lake.

How do you think us retired people can come up with the money to put in solar. We are getting up there in age and we need mules to get down to the docks we can not walk and carry the things we need for our boats.

20170828_Figgins_T-WA

I am encouraged that the public's comments during the process have been acknowledged by the Corps. Thank you for listening. Please continue to help us protect our rights to use and enjoy our beautiful lake.

Sincerely,

Terry Figgins

From: CESWL-Table Rock Shoreline Management Plan Update <CESWL-TableRockShorelineManagementPlanUpdate@usace.army.mil>
Sent: Tuesday, August 29, 2017 8:48 AM
To: Murphy, Gina L.
Subject: FW: [EXTERNAL] Table Rock Lake Shoreline Management Plan

-----Original Message-----

From: Stanley`Fluke [<mailto:stan.fluke@gmail.com>]
Sent: Monday, August 28, 2017 5:47 PM
To: CESWL-Table Rock Shoreline Management Plan Update <CESWL-TableRockShorelineManagementPlanUpdate@usace.army.mil>; savetablerock@gmail.com
Subject: [EXTERNAL] Table Rock Lake Shoreline Management Plan

TO: Corps of Engineers Decision Makers

FROM: Stanley Fluke

RE: Table Rock Lake Shoreline Management Plan

Dear Corps of Engineers Decision Makers,

I am deeply concerned about the drastic changes that are being proposed in your draft Shoreline Management Plan for Table Rock Lake. The community has been very clear in thousands of public comments submitted that we are opposed to over-regulation. We've asked many times for NO CHANGE to be made to the Plan, but there are several items of major concern:

- I object to the carrying capacity as it limits the right to use the lake.
- I object to tighter restrictions placed upon vegetative management permits.
- I object to the new non-transferable grandfathered vegetative management permit rule.
- I object to financial hardships of removing electricity from the lake.
- I object to only one request every five years for dock modification.
- I object to the 8' depth requirement for any new docks.

I would ask that the Shoreline Management Plan NOT be changed. At the very least, please do not allow the changes noted above to go into effect. It would have a devastating economic impact and would be detrimental to the public's right to use and enjoy our lake.

Leave well enough alone, don't add more cost to the end user (boaters) by forcing more Gov. regulations down upon us!!!!!!!!!!!!!!!

20170828_Fluke_S-WA

I am encouraged that the public's comments during the process have been acknowledged by the Corps. Thank you for listening. Please continue to help us protect our rights to use and enjoy our beautiful lake.

Sincerely,

Stanley Fluke

From: CESWL-Table Rock Shoreline Management Plan Update <CESWL-TableRockShorelineManagementPlanUpdate@usace.army.mil>
Sent: Tuesday, August 29, 2017 8:48 AM
To: Murphy, Gina L.
Subject: FW: [EXTERNAL] Table Rock Lake Shoreline Management Plan

-----Original Message-----

From: Lori Foss [<mailto:lori@icloud.com>]
Sent: Monday, August 28, 2017 5:58 PM
To: CESWL-Table Rock Shoreline Management Plan Update <CESWL-TableRockShorelineManagementPlanUpdate@usace.army.mil>; savetablerock@gmail.com
Subject: [EXTERNAL] Table Rock Lake Shoreline Management Plan

TO: Corps of Engineers Decision Makers

FROM: Lori Foss

RE: Table Rock Lake Shoreline Management Plan

Dear Corps of Engineers Decision Makers,

I am deeply concerned about the drastic changes that are being proposed in your draft Shoreline Management Plan for Table Rock Lake. The community has been very clear in thousands of public comments submitted that we are opposed to over-regulation. We've asked many times for NO CHANGE to be made to the Plan, but there are several items of major concern:

- I object to the carrying capacity as it limits the right to use the lake.
- I object to tighter restrictions placed upon vegetative management permits.
- I object to the new non-transferable grandfathered vegetative management permit rule.
- I object to financial hardships of removing electricity from the lake.
- I object to only one request every five years for dock modification.
- I object to the 8' depth requirement for any new docks.

I would ask that the Shoreline Management Plan NOT be changed. At the very least, please do not allow the changes noted above to go into effect. It would have a devastating economic impact and would be detrimental to the public's right to use and enjoy our lake.

Table Rock Lake is a major driver of economic activity for the entire community. It brings tourist dollars to our area, and is responsible for employment and job creation far beyond the shoreline. It also presents a magnificent opportunity to enjoy nature, and relax in the splendid beauty of the Ozarks.

20170828_Foss_L-WA

Many residents of the area live here as a direct result of their love for the lake, and the nearly unlimited recreational benefit it provides.

Limiting access, either by severely restricting further development, or by discouraging control of vegetation where existing docks are located, will make it much more difficult to enjoy this access. No one wants to walk through underbrush infested with insects (particularly chiggers and ticks) which may adversely affect long term human health. Furthermore, if it made sense to control vegetation at one point in time to allow reasonable lake access, it makes no sense to revoke that guideline just because property ownership changes hands.

Likewise, limiting access via arbitrary "carrying capacity" guidelines ultimately makes it more difficult to enjoy the lake for resident, and visitor alike.

Additionally, removing no wake bouys, even if they're not terribly effective, will likely put swimmers and dock users at unnesscarily increased risk of injury, or worse. That proposal is most counter productive.

It seems to me that the shoreline mangement plan as it exists today has worked, and is working very well.

As a 30 year resident of the lake, there have definitely been changes, but to drastically alter something that presently seems to be meeting the needs of most of those who seek to enjoy what the lake has to offer is shortsighted at best, and potentially harmful in the long run.

Please leave the shoreline management plan as it exists, and avoid the fallout and unanticipated consequences of drastic change, simply for drastic change's sake.

Thank you. Lori A. Foss

I am encouraged that the public's comments during the process have been acknowledged by the Corps. Thank you for listening. Please continue to help us protect our rights to use and enjoy our beautiful lake.

Sincerely,

Lori Foss

Please use this form to provide comments and suggestions about how you would like to see the Table Rock Lake Shoreline Management Plan revised or on the issues that should be studied before a decision is made on Shoreline Management Plan revisions. Feel free to take an extra form to provide to friends or neighbors and send the forms back before April 17th, 2015 to USACE at the addresses below.

(Optional Information)

Name/Organization : Darrell Freeman

Address: 19114 Eagle Point Rd., Eagle Rock, MO 65641

E-mail: Darrell134@centurytel.net

Phone: 417/271-3360

We want your input during this update process. Please use this form to provide your comments and suggestions on items to update in the Table Rock Lake Shoreline Management Plan (SMP). Areas of discussion might include: current zoning, current policies on dock and vegetation permits, how could the lake and permits be better managed. Please be as specific as possible.

Safety in General - A mandatory switch to an alternate fuel source is not a very safe direction. I heard at your meeting on Tuesday that the dock owner must find and secure the product and the installer and that the Corps. would not be involved with that process.

As soon as demand increases for solar energy, many fly by night products and installers will appear offering great prices and quick installation. This will result in many potentially serious contaminations and possible injuries.

Some control has to be placed on these people. Your average dock owner knows very little about construction and even less about solar energy. The Corps. has the skill set to screen and select qualified products and installers. You cannot rely on an inspection for the safety of our lake...like shutting the door after the cows are out. Question - since the Solar (DC) has to be converted to AC to operate

lifts, etc. , isn't capable of delivering an electrical shock then? Are we fixing something that isn't broken?

Comments may be submitted via mail, email, or fax with attention to: Dana Coburn, Chief, Environmental Branch, Planning and Environmental, USACE, Little Rock District, P.O. Box 867, Little Rock, AR 72203.

Fax: (501) 324-5605, Email: CESWL-TableRockShorelineManagementPlanUpdate@usace.army.mil

Website: http://go.usa.gov/MGqH

Written comments must be postmarked, e-mailed, faxed, or otherwise submitted by April 17, 2015.

PRIVACY ACT STATEMENT INSTRUCTIONS

AUTHORITY: ER 1130-2-406, and the laws and regulations referenced therein.

PRINCIPAL PURPOSE(S): To provide a means for the maximum practicable public participation in Shoreline Management Plan formulation, preparation and subsequent revisions, through the use of public meetings, group workshops, open houses or other public involvement.

ROUTINE USE(S): Information you provide will be available for public review or may be disclosed to members of the Department of Defense or other Government agencies who have a need for the information in performance of their official duties, and where use of such information is compatible with the purpose for which the information is collected.

DISCLOSURE: Voluntary; however, failure to furnish the requested information may prevent the Agency from being able to direct meeting notices or provide additional information to commentors.

SUBMIT

**Table Rock Lake Shoreline Management Plan
Revision and Environmental Assessment**



Please use this form to provide comments and suggestions about how you would like to see the Table Rock Lake Shoreline Management Plan revised or on the issues that should be studied before a decision is made on Shoreline Management Plan revisions. Feel free to take an extra form to provide to friends or neighbors and send the forms back before April 17th, 2015 to USACE at the addresses below.

(Optional Information)

Name/Organization : Darrell Freeman

Address: _____

E-mail: Darrell134@centurytel.net **Phone:** _____

We want your input during this update process. Please use this form to provide your comments and suggestions on items to update in the Table Rock Lake Shoreline Management Plan (SMP). Areas of discussion might include: current zoning, current policies on dock and vegetation permits, how could the lake and permits be better managed. Please be as specific as possible.

Alternate fuel requirement: Regardless of the reasons for this change, if it is to be implimented, the Corps. must lead the process and not just the comanding. There

are many fixed income dock and slip owners around the lake. If you had bother to observe the age of the participants in your workshops, you would have noted the age of the crowd. These are the people you are affecting and need to serve!

Your actions should give great consideration to your participants. Granted, no two are the same but many have financial constraints.

This mandate could be the cause for some to leave their lake life behind. It is imparitive that you, the Corps. take the lead.

Give incentives, reduce dock fees, screen and recommend products and installers, secure grant money, etc. You are the engineers with the expertise to see this change is quality and not a compete disaster. Why don't you bring crews up and do the installs?

It would be great training for your people. Get outside the squares on this issue...if you want it done, show us how. We are not privates in the army, although, some of us have been.

We recognized the unreasonable then...and now. Change our opinion.

Comments may be submitted via mail, email, or fax with attention to: Dana Coburn, Chief, Environmental Branch, Planning and Environmental, USACE, Little Rock District, P.O. Box 867, Little Rock, AR 72203.

Fax: (501) 324-5605, **Email:** CESWL-TableRockShorelineManagementPlanUpdate@usace.army.mil

Website: <http://go.usa.gov/MGqH>

Written comments must be postmarked, e-mailed, faxed, or otherwise **submitted by April 17, 2015.**

PRIVACY ACT STATEMENT INSTRUCTIONS

AUTHORITY: ER 1130-2-406, and the laws and regulations referenced therein.

PRINCIPAL PURPOSE(S): To provide a means for the maximum practicable public participation in Shoreline Management Plan formulation, preparation and subsequent revisions, through the use of public meetings, group workshops, open houses or other public involvement.

ROUTINE USE(S): Information you provide will be available for public review or may be disclosed to members of the Department of Defense or other Government agencies who have a need for the information in performance of their official duties, and where use of such information is compatible with the purpose for which the information is collected.

DISCLOSURE: Voluntary; however, failure to furnish the requested information may prevent the Agency from being able to direct meeting notices or provide additional information to commentors.

20170828_Freeman_D

SUBMIT

**Table Rock Lake Shoreline Management Plan
Revision and Environmental Assessment**



**US Army Corps
of Engineers**
Little Rock District

Please use this form to provide comments and suggestions about how you would like to see the Table Rock Lake Shoreline Management Plan revised or on the issues that should be studied before a decision is made on Shoreline Management Plan revisions. Feel free to take an extra form to provide to friends or neighbors and send the forms back before April 17th, 2015 to USACE at the addresses below.

(Optional Information)

Name/Organization : Darrell Freeman

Address: _____

E-mail: Darrell134@centurytel.net **Phone:** _____

We want your input during this update process. Please use this form to provide your comments and suggestions on items to update in the Table Rock Lake Shoreline Management Plan (SMP). Areas of discussion might include: current zoning, current policies on dock and vegetation permits, how could the lake and permits be better managed. Please be as specific as possible.

Alternatives: In general, Alt. 5 would be my recommendation. Although, I have not read the details of the change. I do not think that Alt. 6 is a good idea. An increase in this magnitude is hard to envision. But, if getting more parking is only available with #6, then I would prefer it. Parking around the lake is unacceptable. There are far too many handicap and elderly that cannot gain access due to your restrictions. I understand that there is a permit for these people but, do they about it and how to get it? It seems to me that allowing limited parking would be easier to manage than the current practices. I believe you are trying to be fair and consistent, but one short ride around the water on any day, you will find many not abiding by the no parking rule. We need better access! Have a reasonable fee for a permit and have it on line. Why make access to the water easier for visitors and not residents? Doesn't make sense.

Comments may be submitted via mail, email, or fax with attention to: Dana Coburn, Chief, Environmental Branch, Planning and Environmental, USACE, Little Rock District, P.O. Box 867, Little Rock, AR 72203.

Fax: (501) 324-5605, **Email:** CESWL-TableRockShorelineManagementPlanUpdate@usace.army.mil

Website: <http://go.usa.gov/MGqH>

Written comments must be postmarked, e-mailed, faxed, or otherwise submitted by April 17, 2015.

PRIVACY ACT STATEMENT INSTRUCTIONS

AUTHORITY: ER 1130-2-406, and the laws and regulations referenced therein.

PRINCIPAL PURPOSE(S): To provide a means for the maximum practicable public participation in Shoreline Management Plan formulation, preparation and subsequent revisions, through the use of public meetings, group workshops, open houses or other public involvement.

ROUTINE USE(S): Information you provide will be available for public review or may be disclosed to members of the Department of Defense or other Government agencies who have a need for the information in performance of their official duties, and where use of such information is compatible with the purpose for which the information is collected.

DISCLOSURE: Voluntary; however, failure to furnish the requested information may prevent the Agency from being able to direct meeting notices or provide additional information to commentors.

SUBMIT

**Table Rock Lake Shoreline Management Plan
Revision and Environmental Assessment**



Please use this form to provide comments and suggestions about how you would like to see the Table Rock Lake Shoreline Management Plan revised or on the issues that should be studied before a decision is made on Shoreline Management Plan revisions. Feel free to take an extra form to provide to friends or neighbors and send the forms back before April 17th, 2015 to USACE at the addresses below.

(Optional Information)

Name/Organization : Darrell Freeman

Address: _____

E-mail: darrell134@centurytel.net **Phone:** _____

We want your input during this update process. Please use this form to provide your comments and suggestions on items to update in the Table Rock Lake Shoreline Management Plan (SMP). Areas of discussion might include: current zoning, current policies on dock and vegetation permits, how could the lake and permits be better managed. Please be as specific as possible.

Elimination of no wake bouys. This change is by far the most unreasonable and outrages of all. While there are no assurances that a boat operator will honor the bouy, it is a tremendous aid in insuring the safety of swimmers and other boaters inside the no wake zone. W/o the bouys, huge boats, wake boats and bass boats will come within a few feet of the docks and swim decks. Swimmers will not be safe! Since you are making docks remove the shore lights and now the no wake bouys, it will be very hard to see docks at night and especially swimmers. Someone will get ran over!!! When that happens Corp. will be the first target in a lawsuit and it may end up being a criminal case. I have dealt with the Corp. for many years and safety was never an issue. This goes beyond ignorance... I would expect a class action lawsuit should you proceed with this...I'll join them.

Comments may be submitted via mail, email, or fax with attention to: Dana Coburn, Chief, Environmental Branch, Planning and Environmental, USACE, Little Rock District, P.O. Box 867, Little Rock, AR 72203.

Fax: (501) 324-5605, **Email:** CESWL-TableRockShorelineManagementPlanUpdate@usace.army.mil

Website: <http://go.usa.gov/MGqH>

Written comments must be postmarked, e-mailed, faxed, or otherwise **submitted by April 17, 2015.**

PRIVACY ACT STATEMENT INSTRUCTIONS

AUTHORITY: ER 1130-2-406, and the laws and regulations referenced therein.

PRINCIPAL PURPOSE(S): To provide a means for the maximum practicable public participation in Shoreline Management Plan formulation, preparation and subsequent revisions, through the use of public meetings, group workshops, open houses or other public involvement.

ROUTINE USE(S): Information you provide will be available for public review or may be disclosed to members of the Department of Defense or other Government agencies who have a need for the information in performance of their official duties, and where use of such information is compatible with the purpose for which the information is collected.

DISCLOSURE: Voluntary; however, failure to furnish the requested information may prevent the Agency from being able to direct meeting notices or provide additional information to commentors.

From: CESWL-Table Rock Shoreline Management Plan Update <CESWL-TableRockShorelineManagementPlanUpdate@usace.army.mil>
Sent: Tuesday, August 29, 2017 8:38 AM
To: Murphy, Gina L.
Subject: FW: [EXTERNAL] Table Rock Lake Shoreline Management Plan

-----Original Message-----

From: Lori`Fulk [<mailto:jfulk@nemr.net>]
Sent: Monday, August 28, 2017 9:43 AM
To: CESWL-Table Rock Shoreline Management Plan Update <CESWL-TableRockShorelineManagementPlanUpdate@usace.army.mil>; savetablerock@gmail.com
Subject: [EXTERNAL] Table Rock Lake Shoreline Management Plan

TO: Corps of Engineers Decision Makers

FROM: Lori Fulk

RE: Table Rock Lake Shoreline Management Plan

Dear Corps of Engineers Decision Makers,

I am deeply concerned about the drastic changes that are being proposed in your draft Shoreline Management Plan for Table Rock Lake. The community has been very clear in thousands of public comments submitted that we are opposed to over-regulation. We've asked many times for NO CHANGE to be made to the Plan, but there are several items of major concern:

- I object to the carrying capacity as it limits the right to use the lake.
- I object to tighter restrictions placed upon vegetative management permits.
- I object to the new non-transferable grandfathered vegetative management permit rule.
- I object to financial hardships of removing electricity from the lake.
- I object to only one request every five years for dock modification.
- I object to the 8' depth requirement for any new docks.

I would ask that the Shoreline Management Plan NOT be changed. At the very least, please do not allow the changes noted above to go into effect. It would have a devastating economic impact and would be detrimental to the public's right to use and enjoy our lake.

Te citizens of table rock lake are very proud and protective of its' usage and the influx of regulatory hardships being pursued by this Shoreline management Plan. The Lake has plenty of regulations in place to protect the lake and land surrounding it. for those who have already built homes and docks and have

20170828_Fulk_L-WA

made this their permanent home, this plan places undue hardship and expense on them. Please reconsider this plan!

I am encouraged that the public's comments during the process have been acknowledged by the Corps. Thank you for listening. Please continue to help us protect our rights to use and enjoy our beautiful lake.

Sincerely,

Lori Fulk

From: CESWL-Table Rock Shoreline Management Plan Update <CESWL-TableRockShorelineManagementPlanUpdate@usace.army.mil>
Sent: Tuesday, August 29, 2017 8:39 AM
To: Murphy, Gina L.
Subject: FW: [EXTERNAL] Table Rock Lake Shoreline Management Plan

-----Original Message-----

From: Gloria`Gephart [<mailto:gloria.gephart@gmail.com>]
Sent: Monday, August 28, 2017 10:14 AM
To: CESWL-Table Rock Shoreline Management Plan Update <CESWL-TableRockShorelineManagementPlanUpdate@usace.army.mil>; savetablerock@gmail.com
Subject: [EXTERNAL] Table Rock Lake Shoreline Management Plan

TO: Corps of Engineers Decision Makers

FROM: Gloria Gephart

RE: Table Rock Lake Shoreline Management Plan

Dear Corps of Engineers Decision Makers,

I am deeply concerned about the drastic changes that are being proposed in your draft Shoreline Management Plan for Table Rock Lake. The community has been very clear in thousands of public comments submitted that we are opposed to over-regulation. We've asked many times for NO CHANGE to be made to the Plan, but there are several items of major concern:

- I object to the carrying capacity as it limits the right to use the lake.
- I object to tighter restrictions placed upon vegetative management permits.
- I object to the new non-transferable grandfathered vegetative management permit rule.
- I object to financial hardships of removing electricity from the lake.
- I object to only one request every five years for dock modification.
- I object to the 8' depth requirement for any new docks.

I would ask that the Shoreline Management Plan NOT be changed. At the very least, please do not allow the changes noted above to go into effect. It would have a devastating economic impact and would be detrimental to the public's right to use and enjoy our lake.

Do not change current lake management plan. Are you trying to eliminate visitors spending money in your area?

20170828_Gephart_G-WA

I am encouraged that the public's comments during the process have been acknowledged by the Corps. Thank you for listening. Please continue to help us protect our rights to use and enjoy our beautiful lake.

Sincerely,

Gloria Gephart

From: CESWL-Table Rock Shoreline Management Plan Update <CESWL-TableRockShorelineManagementPlanUpdate@usace.army.mil>
Sent: Tuesday, August 29, 2017 8:37 AM
To: Murphy, Gina L.
Subject: FW: [EXTERNAL] Table Rock Lake Shoreline Management Plan

-----Original Message-----

From: Carl`Gilmore [<mailto:carlgilmore3@gmail.com>]
Sent: Monday, August 28, 2017 8:18 AM
To: CESWL-Table Rock Shoreline Management Plan Update <CESWL-TableRockShorelineManagementPlanUpdate@usace.army.mil>; savetablerock@gmail.com
Subject: [EXTERNAL] Table Rock Lake Shoreline Management Plan

TO: Corps of Engineers Decision Makers

FROM: Carl Gilmore

RE: Table Rock Lake Shoreline Management Plan

Dear Corps of Engineers Decision Makers,

I am deeply concerned about the drastic changes that are being proposed in your draft Shoreline Management Plan for Table Rock Lake. The community has been very clear in thousands of public comments submitted that we are opposed to over-regulation. We've asked many times for NO CHANGE to be made to the Plan, but there are several items of major concern:

- I object to the carrying capacity as it limits the right to use the lake.
- I object to tighter restrictions placed upon vegetative management permits.
- I object to the new non-transferable grandfathered vegetative management permit rule.
- I object to financial hardships of removing electricity from the lake.
- I object to only one request every five years for dock modification.
- I object to the 8' depth requirement for any new docks.

I would ask that the Shoreline Management Plan NOT be changed. At the very least, please do not allow the changes noted above to go into effect. It would have a devastating economic impact and would be detrimental to the public's right to use and enjoy our lake.

I am encouraged that the public's comments during the process have been acknowledged by the Corps. Thank you for listening. Please continue to help us protect our rights to use and enjoy our beautiful lake.

Sincerely,

20170828_Gilmore_C-W

Carl Gilmore

From: CESWL-Table Rock Shoreline Management Plan Update <CESWL-TableRockShorelineManagementPlanUpdate@usace.army.mil>
Sent: Tuesday, August 29, 2017 8:44 AM
To: Murphy, Gina L.
Subject: FW: [EXTERNAL] Table Rock Lake Shoreline Management Plan

-----Original Message-----

From: Joni`Glessner [<mailto:joni@gerkenandassociates.com>]
Sent: Monday, August 28, 2017 12:38 PM
To: CESWL-Table Rock Shoreline Management Plan Update <CESWL-TableRockShorelineManagementPlanUpdate@usace.army.mil>; savetablerock@gmail.com
Subject: [EXTERNAL] Table Rock Lake Shoreline Management Plan

TO: Corps of Engineers Decision Makers

FROM: Joni Glessner

RE: Table Rock Lake Shoreline Management Plan

Dear Corps of Engineers Decision Makers,

I am deeply concerned about the drastic changes that are being proposed in your draft Shoreline Management Plan for Table Rock Lake. The community has been very clear in thousands of public comments submitted that we are opposed to over-regulation. We've asked many times for NO CHANGE to be made to the Plan, but there are several items of major concern:

- I object to the carrying capacity as it limits the right to use the lake.
- I object to tighter restrictions placed upon vegetative management permits.
- I object to the new non-transferable grandfathered vegetative management permit rule.
- I object to financial hardships of removing electricity from the lake.
- I object to only one request every five years for dock modification.
- I object to the 8' depth requirement for any new docks.

I would ask that the Shoreline Management Plan NOT be changed. At the very least, please do not allow the changes noted above to go into effect. It would have a devastating economic impact and would be detrimental to the public's right to use and enjoy our lake.

My biggest objection that I read about in previous messages was the removal of idle only no wake buoys in busy coves. I could not believe that was even an issue. I look at it as possibly saving a life PLUS the cost or continual repairs on docks is a definite issue. We seem to be inundated with more jet skis and kayaks These buoys do help prevent the unskilled boaters/renters from going full speed in and out such

20170828_Glessner_J-WA

as they've done in the past in Big Cedar Cove. I'm always for what's right and removing these buoys is just not right. I respect the Corps personnel. I'm a Realtor here - 27 years now and when buyers try to talk negative about the Corps I shut them down quickly. IF it weren't for them our shoreline would be like Lake of the Ozarks and the beauty of our shoreline would be destroyed. The mandatory solar may be an issue for most. Lots of expense involved - not allowing a generator - this could be an issue for lifts. I think inspection every 5 years is a good thing. There are some run down docks that need attention. Last I heard we have about 850 miles of shoreline and we do want to keep it pristine. It's such a privilege to live near and be able to utilize the lake I don't want to see it destroyed. Thank you.

I am encouraged that the public's comments during the process have been acknowledged by the Corps. Thank you for listening. Please continue to help us protect our rights to use and enjoy our beautiful lake.

Sincerely,

Joni Glessner

From: CESWL-Table Rock Shoreline Management Plan Update <CESWL-TableRockShorelineManagementPlanUpdate@usace.army.mil>
Sent: Tuesday, August 29, 2017 8:38 AM
To: Murphy, Gina L.
Subject: FW: [EXTERNAL] Table Rock Lake Shoreline Management Plan

-----Original Message-----

From: Samantha`Gutting [<mailto:slr8@me.com>]
Sent: Monday, August 28, 2017 9:05 AM
To: CESWL-Table Rock Shoreline Management Plan Update <CESWL-TableRockShorelineManagementPlanUpdate@usace.army.mil>; savetablerock@gmail.com
Subject: [EXTERNAL] Table Rock Lake Shoreline Management Plan

TO: Corps of Engineers Decision Makers

FROM: Samantha Gutting

RE: Table Rock Lake Shoreline Management Plan

Dear Corps of Engineers Decision Makers,

I am deeply concerned about the drastic changes that are being proposed in your draft Shoreline Management Plan for Table Rock Lake. The community has been very clear in thousands of public comments submitted that we are opposed to over-regulation. We've asked many times for NO CHANGE to be made to the Plan, but there are several items of major concern:

- I object to the carrying capacity as it limits the right to use the lake.
- I object to tighter restrictions placed upon vegetative management permits.
- I object to the new non-transferable grandfathered vegetative management permit rule.
- I object to financial hardships of removing electricity from the lake.
- I object to only one request every five years for dock modification.
- I object to the 8' depth requirement for any new docks.

I would ask that the Shoreline Management Plan NOT be changed. At the very least, please do not allow the changes noted above to go into effect. It would have a devastating economic impact and would be detrimental to the public's right to use and enjoy our lake.

I very much appreciate the care the Corps has given to maintaining the beauty of Table Rock Lake through the years, however most of the proposed regulations are over-reaching and will have an irreversible negative impact on the economy, from property values to tourism, in this area.

20170828_Gutting_S-WA

I honestly believe that most, if not all, of the residents and business on Table Rock Lake are committed to working seamlessly with the Corp to a mutually beneficial set of regulations.

Please reconsider enforcing the above regulations without further consideration and modification.

There is no reason to be so drastic in so many areas that will negatively affect our beautiful lives and thriving economy here in the Ozarks on Table Rock Lake.

Thank you -

I am encouraged that the public's comments during the process have been acknowledged by the Corps. Thank you for listening. Please continue to help us protect our rights to use and enjoy our beautiful lake.

Sincerely,

Samantha Gutting

From: CESWL-Table Rock Shoreline Management Plan Update <CESWL-TableRockShorelineManagementPlanUpdate@usace.army.mil>
Sent: Tuesday, August 29, 2017 8:38 AM
To: Murphy, Gina L.
Subject: FW: [EXTERNAL] Table Rock Lake Shoreline Management Plan

-----Original Message-----

From: Rachel`Hankins [<mailto:rachel.hankins@yahoo.com>]
Sent: Monday, August 28, 2017 8:25 AM
To: CESWL-Table Rock Shoreline Management Plan Update <CESWL-TableRockShorelineManagementPlanUpdate@usace.army.mil>; savetablerock@gmail.com
Subject: [EXTERNAL] Table Rock Lake Shoreline Management Plan

TO: Corps of Engineers Decision Makers

FROM: Rachel Hankins

RE: Table Rock Lake Shoreline Management Plan

Dear Corps of Engineers Decision Makers,

I am deeply concerned about the drastic changes that are being proposed in your draft Shoreline Management Plan for Table Rock Lake. The community has been very clear in thousands of public comments submitted that we are opposed to over-regulation. We've asked many times for NO CHANGE to be made to the Plan, but there are several items of major concern:

- I object to the carrying capacity as it limits the right to use the lake.
- I object to tighter restrictions placed upon vegetative management permits.
- I object to the new non-transferable grandfathered vegetative management permit rule.
- I object to financial hardships of removing electricity from the lake.
- I object to only one request every five years for dock modification.
- I object to the 8' depth requirement for any new docks.

I would ask that the Shoreline Management Plan NOT be changed. At the very least, please do not allow the changes noted above to go into effect. It would have a devastating economic impact and would be detrimental to the public's right to use and enjoy our lake.

*I am highly discouraged also by the idea of removing buoys from around the docks. We have been pushing for a breakwater for some time in our area all which are met with hard NO's. The damage done to docks and boats due to bigger and bigger boats on our beautiful lake is increasing every year. We need to protect our docks and boats and keep the lake ENJOYABLE for everyone. Removing buoys for

20170828_Hankins_R-WA

the reason being that people 'know they need to be at idle' is ridiculous. There are SO MANY RENTERS on this lake--they DON'T know. Leave the buoys, don't make us go to solar power--this will put undo hardship on private dock owners that will have the massive expense of transferring electric to solar.

I am encouraged that the public's comments during the process have been acknowledged by the Corps. Thank you for listening. Please continue to help us protect our rights to use and enjoy our beautiful lake.

Sincerely,

Rachel Hankins

From: CESWL-Table Rock Shoreline Management Plan Update <CESWL-TableRockShorelineManagementPlanUpdate@usace.army.mil>
Sent: Tuesday, August 29, 2017 8:37 AM
To: Murphy, Gina L.
Subject: FW: [EXTERNAL] Table Rock Lake Shoreline Management Plan

-----Original Message-----

From: Josh`Hartman [mailto:j_d_hartman@hotmail.com]
Sent: Monday, August 28, 2017 6:33 AM
To: CESWL-Table Rock Shoreline Management Plan Update <CESWL-TableRockShorelineManagementPlanUpdate@usace.army.mil>; savetablerock@gmail.com
Subject: [EXTERNAL] Table Rock Lake Shoreline Management Plan

TO: Corps of Engineers Decision Makers

FROM: Josh Hartman

RE: Table Rock Lake Shoreline Management Plan

Dear Corps of Engineers Decision Makers,

I am deeply concerned about the drastic changes that are being proposed in your draft Shoreline Management Plan for Table Rock Lake. The community has been very clear in thousands of public comments submitted that we are opposed to over-regulation. We've asked many times for NO CHANGE to be made to the Plan, but there are several items of major concern:

- I object to the carrying capacity as it limits the right to use the lake.
- I object to tighter restrictions placed upon vegetative management permits.
- I object to the new non-transferable grandfathered vegetative management permit rule.
- I object to financial hardships of removing electricity from the lake.
- I object to only one request every five years for dock modification.
- I object to the 8' depth requirement for any new docks.

I would ask that the Shoreline Management Plan NOT be changed. At the very least, please do not allow the changes noted above to go into effect. It would have a devastating economic impact and would be detrimental to the public's right to use and enjoy our lake.

I am encouraged that the public's comments during the process have been acknowledged by the Corps. Thank you for listening. Please continue to help us protect our rights to use and enjoy our beautiful lake.

Sincerely,

20170828_Hartman_J-W

Josh Hartman

From: CESWL-Table Rock Shoreline Management Plan Update <CESWL-TableRockShorelineManagementPlanUpdate@usace.army.mil>
Sent: Tuesday, August 29, 2017 8:46 AM
To: Murphy, Gina L.
Subject: FW: [EXTERNAL] Table Rock Lake Shoreline Management Plan

-----Original Message-----

From: David `Hill [mailto:dthdth_2000@yahoo.com]
Sent: Monday, August 28, 2017 2:45 PM
To: CESWL-Table Rock Shoreline Management Plan Update <CESWL-TableRockShorelineManagementPlanUpdate@usace.army.mil>; savetablerock@gmail.com
Subject: [EXTERNAL] Table Rock Lake Shoreline Management Plan

TO: Corps of Engineers Decision Makers

FROM: David Hill

RE: Table Rock Lake Shoreline Management Plan

Dear Corps of Engineers Decision Makers,

I am deeply concerned about the drastic changes that are being proposed in your draft Shoreline Management Plan for Table Rock Lake. The community has been very clear in thousands of public comments submitted that we are opposed to over-regulation. We've asked many times for NO CHANGE to be made to the Plan, but there are several items of major concern:

- I object to the carrying capacity as it limits the right to use the lake.
- I object to tighter restrictions placed upon vegetative management permits.
- I object to the new non-transferable grandfathered vegetative management permit rule.
- I object to financial hardships of removing electricity from the lake.
- I object to only one request every five years for dock modification.
- I object to the 8' depth requirement for any new docks.

I would ask that the Shoreline Management Plan NOT be changed. At the very least, please do not allow the changes noted above to go into effect. It would have a devastating economic impact and would be detrimental to the public's right to use and enjoy our lake.

-I object to restrictions on parking vehicles on Core land in front of docks. These restrictions would cause unfair burden on people (like my parents), who are handicapped. The parking changes would make it virtually impossible for them to get to the dock.

20170828_Hill_D-WA

I am encouraged that the public's comments during the process have been acknowledged by the Corps. Thank you for listening. Please continue to help us protect our rights to use and enjoy our beautiful lake.

Sincerely,

David Hill

From: CESWL-Table Rock Shoreline Management Plan Update <CESWL-TableRockShorelineManagementPlanUpdate@usace.army.mil>
Sent: Tuesday, August 29, 2017 8:38 AM
To: Murphy, Gina L.
Subject: FW: [EXTERNAL] Table Rock Lake Shoreline Management Plan

-----Original Message-----

From: Kindal `Huett [<mailto:kghuett@gmail.com>]
Sent: Monday, August 28, 2017 8:55 AM
To: CESWL-Table Rock Shoreline Management Plan Update <CESWL-TableRockShorelineManagementPlanUpdate@usace.army.mil>; savetablerock@gmail.com
Subject: [EXTERNAL] Table Rock Lake Shoreline Management Plan

TO: Corps of Engineers Decision Makers

FROM: Kindal Huett

RE: Table Rock Lake Shoreline Management Plan

Dear Corps of Engineers Decision Makers,

I am deeply concerned about the drastic changes that are being proposed in your draft Shoreline Management Plan for Table Rock Lake. The community has been very clear in thousands of public comments submitted that we are opposed to over-regulation. We've asked many times for NO CHANGE to be made to the Plan, but there are several items of major concern:

- I object to the carrying capacity as it limits the right to use the lake.
- I object to tighter restrictions placed upon vegetative management permits.
- I object to the new non-transferable grandfathered vegetative management permit rule.
- I object to financial hardships of removing electricity from the lake.
- I object to only one request every five years for dock modification.
- I object to the 8' depth requirement for any new docks.

I would ask that the Shoreline Management Plan NOT be changed. At the very least, please do not allow the changes noted above to go into effect. It would have a devastating economic impact and would be detrimental to the public's right to use and enjoy our lake.

I am encouraged that the public's comments during the process have been acknowledged by the Corps. Thank you for listening. Please continue to help us protect our rights to use and enjoy our beautiful lake.

Sincerely,

20170828_Huett_K-W

Kindal Huett

From: CESWL-Table Rock Shoreline Management Plan Update <CESWL-TableRockShorelineManagementPlanUpdate@usace.army.mil>
Sent: Tuesday, August 29, 2017 8:44 AM
To: Murphy, Gina L.
Subject: FW: [EXTERNAL] Table Rock Lake Shoreline Management Plan

-----Original Message-----

From: Ron`Huffey [<mailto:huffey14rh@gmail.com>]
Sent: Monday, August 28, 2017 12:54 PM
To: CESWL-Table Rock Shoreline Management Plan Update <CESWL-TableRockShorelineManagementPlanUpdate@usace.army.mil>; savetablerock@gmail.com
Subject: [EXTERNAL] Table Rock Lake Shoreline Management Plan

TO: Corps of Engineers Decision Makers

FROM: Ron Huffey

RE: Table Rock Lake Shoreline Management Plan

Dear Corps of Engineers Decision Makers,

I am deeply concerned about the drastic changes that are being proposed in your draft Shoreline Management Plan for Table Rock Lake. The community has been very clear in thousands of public comments submitted that we are opposed to over-regulation. We've asked many times for NO CHANGE to be made to the Plan, but there are several items of major concern:

- I object to the carrying capacity as it limits the right to use the lake.
- I object to tighter restrictions placed upon vegetative management permits.
- I object to the new non-transferable grandfathered vegetative management permit rule.
- I object to financial hardships of removing electricity from the lake.
- I object to only one request every five years for dock modification.
- I object to the 8' depth requirement for any new docks.

I would ask that the Shoreline Management Plan NOT be changed. At the very least, please do not allow the changes noted above to go into effect. It would have a devastating economic impact and would be detrimental to the public's right to use and enjoy our lake.

Do NOT make ANY changes to the management of the lake!!!!!!!

I am encouraged that the public's comments during the process have been acknowledged by the Corps. Thank you for listening. Please continue to help us protect our rights to use and enjoy our beautiful lake.

20170828_Huffey_Ro-W

Sincerely,

Ron Huffey

From: CESWL-Table Rock Shoreline Management Plan Update <CESWL-TableRockShorelineManagementPlanUpdate@usace.army.mil>
Sent: Tuesday, August 29, 2017 8:44 AM
To: Murphy, Gina L.
Subject: FW: [EXTERNAL] Table Rock Lake Shoreline Management Plan

-----Original Message-----

From: Ruth`Huffey [<mailto:rnrhuffey@gmail.com>]
Sent: Monday, August 28, 2017 12:52 PM
To: CESWL-Table Rock Shoreline Management Plan Update <CESWL-TableRockShorelineManagementPlanUpdate@usace.army.mil>; savetablerock@gmail.com
Subject: [EXTERNAL] Table Rock Lake Shoreline Management Plan

TO: Corps of Engineers Decision Makers

FROM: Ruth Huffey

RE: Table Rock Lake Shoreline Management Plan

Dear Corps of Engineers Decision Makers,

I am deeply concerned about the drastic changes that are being proposed in your draft Shoreline Management Plan for Table Rock Lake. The community has been very clear in thousands of public comments submitted that we are opposed to over-regulation. We've asked many times for NO CHANGE to be made to the Plan, but there are several items of major concern:

- I object to the carrying capacity as it limits the right to use the lake.
- I object to tighter restrictions placed upon vegetative management permits.
- I object to the new non-transferable grandfathered vegetative management permit rule.
- I object to financial hardships of removing electricity from the lake.
- I object to only one request every five years for dock modification.
- I object to the 8' depth requirement for any new docks.

I would ask that the Shoreline Management Plan NOT be changed. At the very least, please do not allow the changes noted above to go into effect. It would have a devastating economic impact and would be detrimental to the public's right to use and enjoy our lake.

PLEASE DO NOT MAKE THESE CHANGES!!
I AM TOTALLY AGAINST THESE "MANAGEMENT CHANGES".

20170828_Huffey_Ru-W

I am encouraged that the public's comments during the process have been acknowledged by the Corps. Thank you for listening. Please continue to help us protect our rights to use and enjoy our beautiful lake.

Sincerely,

Ruth Huffey

From: CESWL-Table Rock Shoreline Management Plan Update <CESWL-TableRockShorelineManagementPlanUpdate@usace.army.mil>
Sent: Tuesday, August 29, 2017 8:44 AM
To: Murphy, Gina L.
Subject: FW: [EXTERNAL] Table Rock Lake Shoreline Management Plan

-----Original Message-----

From: Erica`Johnson [<mailto:ericanjohnson@hotmail.com>]
Sent: Monday, August 28, 2017 12:37 PM
To: CESWL-Table Rock Shoreline Management Plan Update <CESWL-TableRockShorelineManagementPlanUpdate@usace.army.mil>; savetablerock@gmail.com
Subject: [EXTERNAL] Table Rock Lake Shoreline Management Plan

TO: Corps of Engineers Decision Makers

FROM: Erica Johnson

RE: Table Rock Lake Shoreline Management Plan

Dear Corps of Engineers Decision Makers,

I am deeply concerned about the drastic changes that are being proposed in your draft Shoreline Management Plan for Table Rock Lake. The community has been very clear in thousands of public comments submitted that we are opposed to over-regulation. We've asked many times for NO CHANGE to be made to the Plan, but there are several items of major concern:

- I object to the carrying capacity as it limits the right to use the lake.
- I object to tighter restrictions placed upon vegetative management permits.
- I object to the new non-transferable grandfathered vegetative management permit rule.
- I object to financial hardships of removing electricity from the lake.
- I object to only one request every five years for dock modification.
- I object to the 8' depth requirement for any new docks.

I would ask that the Shoreline Management Plan NOT be changed. At the very least, please do not allow the changes noted above to go into effect. It would have a devastating economic impact and would be detrimental to the public's right to use and enjoy our lake.

Do NOT change the current shoreline management plan!!

I am encouraged that the public's comments during the process have been acknowledged by the Corps. Thank you for listening. Please continue to help us protect our rights to use and enjoy our beautiful lake.

20170828_Johnson_E-W

Sincerely,

Erica Johnson

From: CESWL-Table Rock Shoreline Management Plan Update <CESWL-TableRockShorelineManagementPlanUpdate@usace.army.mil>
Sent: Tuesday, August 29, 2017 8:40 AM
To: Murphy, Gina L.
Subject: FW: [EXTERNAL] Table Rock Lake Shoreline Management Plan

-----Original Message-----

From: Larry E`Jones [<mailto:ljones3785@aol.com>]
Sent: Monday, August 28, 2017 10:19 AM
To: CESWL-Table Rock Shoreline Management Plan Update <CESWL-TableRockShorelineManagementPlanUpdate@usace.army.mil>; savetablerock@gmail.com
Subject: [EXTERNAL] Table Rock Lake Shoreline Management Plan

TO: Corps of Engineers Decision Makers

FROM: Larry E Jones

RE: Table Rock Lake Shoreline Management Plan

Dear Corps of Engineers Decision Makers,

I am deeply concerned about the drastic changes that are being proposed in your draft Shoreline Management Plan for Table Rock Lake. The community has been very clear in thousands of public comments submitted that we are opposed to over-regulation. We've asked many times for NO CHANGE to be made to the Plan, but there are several items of major concern:

- I object to the carrying capacity as it limits the right to use the lake.
- I object to tighter restrictions placed upon vegetative management permits.
- I object to the new non-transferable grandfathered vegetative management permit rule.
- I object to financial hardships of removing electricity from the lake.
- I object to only one request every five years for dock modification.
- I object to the 8' depth requirement for any new docks.

I would ask that the Shoreline Management Plan NOT be changed. At the very least, please do not allow the changes noted above to go into effect. It would have a devastating economic impact and would be detrimental to the public's right to use and enjoy our lake.

We own a house, a boat slip, a PWC dock and two lots in Pinnacle Shores. We are very satisfied with the current level of development on the lake and the surrounding area and are advocating for no change to the current Shoreline Management Plan. Please do not make the above changes to the Plan which we believe would unnecessarily restrict and burden the users of our lake.

20170828_Jones_L-WA

Thank you for your consideration.

I am encouraged that the public's comments during the process have been acknowledged by the Corps. Thank you for listening. Please continue to help us protect our rights to use and enjoy our beautiful lake.

Sincerely,

Larry E Jones

From: CESWL-Table Rock Shoreline Management Plan Update <CESWL-TableRockShorelineManagementPlanUpdate@usace.army.mil>
Sent: Tuesday, August 29, 2017 8:40 AM
To: Murphy, Gina L.
Subject: FW: [EXTERNAL] Table Rock Lake Shoreline Management Plan

-----Original Message-----

From: Patrick`Karns [<mailto:pkkarns@sbcglobal.net>]
Sent: Monday, August 28, 2017 10:16 AM
To: CESWL-Table Rock Shoreline Management Plan Update <CESWL-TableRockShorelineManagementPlanUpdate@usace.army.mil>; savetablerock@gmail.com
Subject: [EXTERNAL] Table Rock Lake Shoreline Management Plan

TO: Corps of Engineers Decision Makers

FROM: Patrick Karns

RE: Table Rock Lake Shoreline Management Plan

Dear Corps of Engineers Decision Makers,

I am deeply concerned about the drastic changes that are being proposed in your draft Shoreline Management Plan for Table Rock Lake. The community has been very clear in thousands of public comments submitted that we are opposed to over-regulation. We've asked many times for NO CHANGE to be made to the Plan, but there are several items of major concern:

- I object to the carrying capacity as it limits the right to use the lake.
- I object to tighter restrictions placed upon vegetative management permits.
- I object to the new non-transferable grandfathered vegetative management permit rule.
- I object to financial hardships of removing electricity from the lake.
- I object to only one request every five years for dock modification.
- I object to the 8' depth requirement for any new docks.

I would ask that the Shoreline Management Plan NOT be changed. At the very least, please do not allow the changes noted above to go into effect. It would have a devastating economic impact and would be detrimental to the public's right to use and enjoy our lake.

I am encouraged that the public's comments during the process have been acknowledged by the Corps. Thank you for listening. Please continue to help us protect our rights to use and enjoy our beautiful lake.

Sincerely,

20170828_Karns_P-W

Patrick Karns

From: CESWL-Table Rock Shoreline Management Plan Update <CESWL-TableRockShorelineManagementPlanUpdate@usace.army.mil>
Sent: Tuesday, August 29, 2017 8:44 AM
To: Murphy, Gina L.
Subject: FW: [EXTERNAL] Table Rock Lake Shoreline Management Plan

-----Original Message-----

From: La Nora`Kay [<mailto:LK@Lanorakay.com>]
Sent: Monday, August 28, 2017 1:43 PM
To: CESWL-Table Rock Shoreline Management Plan Update <CESWL-TableRockShorelineManagementPlanUpdate@usace.army.mil>; savetablerock@gmail.com
Subject: [EXTERNAL] Table Rock Lake Shoreline Management Plan

TO: Corps of Engineers Decision Makers

FROM: La Nora Kay

RE: Table Rock Lake Shoreline Management Plan

Dear Corps of Engineers Decision Makers,

I am deeply concerned about the drastic changes that are being proposed in your draft Shoreline Management Plan for Table Rock Lake. The community has been very clear in thousands of public comments submitted that we are opposed to over-regulation. We've asked many times for NO CHANGE to be made to the Plan, but there are several items of major concern:

- I object to the carrying capacity as it limits the right to use the lake.
- I object to tighter restrictions placed upon vegetative management permits.
- I object to the new non-transferable grandfathered vegetative management permit rule.
- I object to financial hardships of removing electricity from the lake.
- I object to only one request every five years for dock modification.
- I object to the 8' depth requirement for any new docks.

I would ask that the Shoreline Management Plan NOT be changed. At the very least, please do not allow the changes noted above to go into effect. It would have a devastating economic impact and would be detrimental to the public's right to use and enjoy our lake.

I appreciate the Corps effort to maintain the beauty, along with the functionality of the Dam and the Lake for flood control.

It is beautiful place for people to visit, enjoy the great outdoors and also a Great Place to Live.

20170828_Kay_L-WA

I get to share our Lake with many people looking for a place to retire.

Over 50% of the lake residents want to have access via a community dock, close by.

All of us want to maintain the green space around the Lake, yet be able to create a natural looking walk way to the Lake and maintain shoreline for safety and to keep it controlled vegetation.

Hopefully you will not take actions to impact negatively the desire for people to live and play on Table Rock Lake.

I am encouraged that the public's comments during the process have been acknowledged by the Corps. Thank you for listening. Please continue to help us protect our rights to use and enjoy our beautiful lake.

Sincerely,

La Nora Kay

From: CESWL-Table Rock Shoreline Management Plan Update <CESWL-TableRockShorelineManagementPlanUpdate@usace.army.mil>
Sent: Tuesday, August 29, 2017 8:44 AM
To: Murphy, Gina L.
Subject: FW: [EXTERNAL] Table Rock Lake Shoreline Management Plan

-----Original Message-----

From: Jeff King [<mailto:mkc1jwk@ups.com>]
Sent: Monday, August 28, 2017 12:38 PM
To: CESWL-Table Rock Shoreline Management Plan Update <CESWL-TableRockShorelineManagementPlanUpdate@usace.army.mil>; savetablerock@gmail.com
Subject: [EXTERNAL] Table Rock Lake Shoreline Management Plan

TO: Corps of Engineers Decision Makers

FROM: Jeff King

RE: Table Rock Lake Shoreline Management Plan

Dear Corps of Engineers Decision Makers,

I am deeply concerned about the drastic changes that are being proposed in your draft Shoreline Management Plan for Table Rock Lake. The community has been very clear in thousands of public comments submitted that we are opposed to over-regulation. We've asked many times for NO CHANGE to be made to the Plan, but there are several items of major concern:

- I object to the carrying capacity as it limits the right to use the lake.
- I object to tighter restrictions placed upon vegetative management permits.
- I object to the new non-transferable grandfathered vegetative management permit rule.
- I object to financial hardships of removing electricity from the lake.
- I object to only one request every five years for dock modification.
- I object to the 8' depth requirement for any new docks.

I would ask that the Shoreline Management Plan NOT be changed. At the very least, please do not allow the changes noted above to go into effect. It would have a devastating economic impact and would be detrimental to the public's right to use and enjoy our lake.

Please don't ruin our lake!

I am encouraged that the public's comments during the process have been acknowledged by the Corps. Thank you for listening. Please continue to help us protect our rights to use and enjoy our beautiful lake.

20170828_King_J-W

Sincerely,

Jeff King

From: CESWL-Table Rock Shoreline Management Plan Update <CESWL-TableRockShorelineManagementPlanUpdate@usace.army.mil>
Sent: Tuesday, August 29, 2017 8:48 AM
To: Murphy, Gina L.
Subject: FW: [EXTERNAL] Table Rock SMP Solar
Attachments: Table Rock.pdf; DC-GFP.pdf

-----Original Message-----

From: Kyle Larson [<mailto:camizzou13@gmail.com>]
Sent: Monday, August 28, 2017 4:36 PM
To: CESWL-Table Rock Shoreline Management Plan Update <CESWL-TableRockShorelineManagementPlanUpdate@usace.army.mil>
Subject: [EXTERNAL] Table Rock SMP Solar

To whom it may concern,

The first attachment is my comment form regarding the Table Rock Shoreline Management Plan. I briefly described a major concern I have regarding the safety hazards of DC ground fault protection devices. When a solar battery charging system is wired according to the NEC and NFPA 70, hazardous fire and safety issues can be present due to the ground fault protection devices. The second attachment describes and analyzes this safety issue.

Ozark Renewable Energy has been involved in extensive research and development to find a solution to prevent Electric Shock Drowning on Lake of the Ozarks. We found that a 24VDC system is significantly safer, but is a high cost solution and still presents safety concerns. Our solution was to develop a safety system that can be implemented into an existing 120VAC powered dock or a solar battery charging system. This system interrupts all current carrying conductors from the sources when a fault is detected. In an AC system, the current carrying conductors are load and neutral. In a solar battery charging system, the current carrying conductors are PV+, PV-, Batt+, and Batt-. Faults in the system are ground faults, leakage voltage in the dock or water, flood conditions, or a dock breakaway condition. Multiple systems can also be linked together in order to interrupt all power sources within a 'safe to swim' radius. The system will also give an audible and visual warning indicating a fault. We believe solar power on a dock is the cleanest and safest solution to dock power, but hazardous conditions will definitely occur if the system is not implemented properly.

Myself and my partners at Ozark Renewable Energy would be ecstatic to help implement safe, clean, and affordable solar battery storage systems on the docks of Table Rock Lake.

Thank you for your time,

Kyle Larson
Electrical Engineer
Ozark Renewable Energy LLC
573-480-4296 <<tel:%28573%29%20480-4296>>

<Blockedhttps://www.avast.com/sig-email?utm_medium=email&utm_source=link&utm_campaign=sig-email&utm_content=webmail&utm_term=icon> Virus-free. Blockedwww.avast.com

20170828_Larson_K

<Blockedhttps://www.avast.com/sig-email?utm_medium=email&utm_source=link&utm_campaign=sig-email&utm_content=webmail&utm_term=link>

**Table Rock Lake Shoreline Management Plan
Revision, Environmental Assessment,
Master Plan Comment Form**



Please use this form to respond to provide your comments on the draft revised Table Rock Lake Shoreline Management Plan and the draft Environmental Assessment. The draft revised Shoreline Management Plan and Environmental Assessment may be found on the web at <https://go.usa.gov/xN92n>. Please also include any comments you may have regarding the 2014 Table Rock Lake Master Plan. The 2014 Table Rock Lake Master Plan may be found on the web at <https://go.usa.gov/xN92n>. Feel free to take an extra form and sent it back later to the address listed below. **Comments must be submitted by August 30, 2017.**

Your Name/Organization: _____

Address: _____

E-mail: _____ **Phone:** _____

Please circle the number that best represents your opinion of the draft documents: Revised Shoreline Management Plan, draft Environmental Assessment, and draft Finding of No Significant Impact:

1	2	3	4	5	6	7	8	9	10
Strongly									Strongly
Disapprove									Approve

What are the most important factors that affect your opinion of the draft Revised Shoreline Management Plan? _____

What are the most important factors that affect your opinion of the draft Environmental Assessment and draft Finding of No Significant Impact prepared for the Shoreline Management Plan Revision? _____

Comments on the 2014 Master Plan: _____

Comments may be submitted via mail, email, fax or the project website with attention to: Table Rock Lake SMP/MP/EA Project Manager, Programs and Projects Management Division, USACE, Little Rock District, P.O. Box 867, Little Rock, AR 72203.

Fax: (501) 324-6518 **Email:** CESWL-TableRockShorelineManagementPlanUpdate@usace.army.mil

Website: <https://go.usa.gov/xN92n>

Written comments must be postmarked, e-mailed, faxed, or otherwise submitted by **August 30, 2017**.

Version 3.5 (Draft)

Dated: 03/29/2011

PV Ground Fault Protection Devices, *National Electric Code* Section 690.5 and Violations of NEC 250 and UL/IEC Listing/Registered Equipment Requirements

Bill Baldwin
Systems Architect
San Mateo, California
1-650-766-3987 Cell
XLRT123@gmail.com

Sections of this document have content provided from, reviewed by, and test conditions/results validated by:

Ryan Stankevitz
SE MidNite Solar
ryan@midnitesolar.com
1-360-403-7207 ext 151

Robin Gudgel
CEO Midnite Solar
robin@midnitesolar.com

Bob Gudgel
CTO Midnite Solar
bob@midnitesolar.com

Summary:

This paper documents the issues raised by the incorporation of a Over Current Protection Device between DC Return and Earth Ground as required by NEC 690.5 (based on 2005 and later) which violates requirement of Earth Grounding of non-isolated systems > 50 VDC [690.41] and violates “Systems that do not have one of the current-carrying conductors grounded must have disconnects and overcurrent devices in all of the ungrounded conductors [240.20, 690.13]” [John Wiles; PV-NEC-V-1.91.pdf].

This condition is present every time the GFP “trips” or if untrained users use GFP Breakers as an Array disconnect.

The use of a Over Current Protection Device as a “fault current sensor” between DC Return and Earth Ground will cause systems to violate Earth Ground Referenced Voltage design requirements that are typically required for non-isolated systems that use ELV (Extra Low Voltage) and SELV (Safety Extra Low Voltage) definitions for sending earth referenced communications signals (RS-232, USB, RS-485, etc.) and can present voltages upwards of 150 VDC and uncontrolled current potentials of 100’s to 1,000’s of Amperes throughout numerous DC electrical interconnections in Listed/Recognized Devices/Systems.

There is an absolute risk of equipment damage, fire, injury, death, and lawsuits if DC Ground Fault Protection as defined by NEC 690.5 and implemented by multiple commercial products and installations. All existing installations with NEC DC GFP installed shall be upgraded to a permanent (and appropriately rated) solid connection between DC Return and Earth Ground for all Earth Referenced DC PV Systems to reduce fire and shock hazards. First hand reports from multiple individuals in the Solar PV industry are already recommending that NEC DC GFP not be installed unless required by inspectors because it is understood that NEC DC GFP is unsafe.

NEC DC GFP must be removed from existing code requirements and any power systems that have NEC DC GFP installed must have Earth Ground to DC Return Bus permanently connected per NEC grounding requirements.

Introduction:

I have, over the last few years, been volunteering on a solar power discussion forum (<http://www.wind-sun.com/ForumVB/> as user “BB.”) where, among other things, we help people to safely design and install their Off Grid (and Grid Tied) Solar PV Systems.

In reviewing documentation and literature from various sources [NEC, Outback, John Wiles’ “Photovoltaic Power Systems and the *2005 National Electric Code: Suggested Practices*”], I came across a circuit that has been used to interrupt Earth Faults in DC Power Circuits. For the sake of this paper, I will call it the NEC DC Ground Fault Protection circuit (NEC DC GFP).

From my experience designing various computer systems, both AC and -48 VDC powered, I came to have great appreciation for having an Earth Ground Reference and Double Isolated Power Supplies when designing for a larger multi-system environment to reduce the chances of shock and fire hazards when complying with the NEC (National Electric Code), UL 1459 2nd Edition, and various IEC and Bellcore/Telcordia (AT&T) requirements.

From several discussions on the Wind-Sun and Midnite Solar forums, I have been trying to educate our participants on the safety implications of installing NEC DC GFP system and to make their own decision if they should “violate code” and not implement the “GFP system”.

During these discussion (and from personal communications) I have found that (at least a small number) of Solar PV System Vendors and at least one Manufacturer are also recommending not to install NEC DC GFP because of safety concerns.

Bob and Robin Gudgel from Midnite Solar have asked me to document in detail my explicit reasons why NEC DC GFP is an absolute safety nightmare when implemented. I would be terribly surprised if there have been no ground fault failures that have not resulted in equipment damage, overheated cables, or human shock.

It is only a matter of time before there is a fire, injury, or death (and following lawsuits) that are the result of “normal fault protection operation” of the NEC DC GFP system.

There is no way (that I can see) that the NEC DC GFP can be adjusted to be made safe. Existing installations must be modified/updated to bypass/remove the DC GFP ground fault detector (typically a OCP) to restore previous levels of fire and personnel safety that were present before NEC DC GFP was implemented.

Robin & Bob Gudgel and Ryan Stankevitz have also provided me with technical support and review of this document to ensure I have properly represented the issues.

Contents of this Document:

Following this section, there are four drawings which graphically represent:

- Typical NEC DC GFP installation.
- Three NEC DC GFP fault scenarios.
- Recommended fix for existing and new installations.

NEC DC Ground Fault Protection as Designed:

What I found when researching the NEC DC GFP solution was that it was implemented with a ground fault current sensor (a Over Current Protection Device inserted between DC Return and Earth Ground).

The inserted Over Current Protection Device was typically a Circuit Breaker, or Fuse + electronic circuit, or PTC + electronic circuit. This OCP would sense DC (or AC) current flows which exceeded ~0.5 to 5 Amperes into Earth Ground.

The “tripping” of the OCP would then be used to Signal or Switch off current flow between a Solar PV Array and a DC Solar Charge Controller (or Grid Tied / Utility Interactive Inverter). Some vendors would “inhibit” the Charge Controller or Inverter as another method to satisfy the requirements.

Convention:

For the rest of this paper, I will assume a Negative Ground Referenced DC Power Bus. The issues, however, are identical if implemented in a Positive Ground Environment.

The Problem:

When there is a Positive Power Bus to Earth Fault anywhere in the DC Power System (Solar Array, Solar DC Charger Bus, Battery Bus, etc.), There will be an excessive current flow forced through the NEC DC GFP OCP. This excessive current will “trip” the OCP and un-reference the DC Return (or Negative) Power Bus.

Because every implementation I have seen (a small subset on my part) of the NEC DC GFP only interrupted one side of the DC Power Bus, this left the Negative DC Bus floating with uncontrolled, and very likely, hazardous voltage/current potentials.

Effectively, the Positive Earth Fault has become the “new” Earth Reference in the DC Power System.

Fault Tree (one example):

For this document, I will assume worst case fault conditions and worst case fault locations (within reason).

1. Assume a near zero ohm short between the Positive Solar PV Array Bus and Earth Ground.
2. Causes current flow between DC Return and Earth Ground through the NEC DC GFP OCP “sensor”.
3. NEC DC GFP OCP opens which un-references the Common Negative DC Bus (DC Return).
4. Effectively, the Positive Solar PV Array Terminal is now Earth Ground Referenced (via fault)
5. DC Return/Negative Bus is now Referenced to $-V_{oc}$ of Solar Array (up to -150 VDC in a typical medium sized PV system) and has upwards of 80 Amperes of available current (I_{sc} of Solar Array).
6. Following standard NEC practice for Ground Referenced designs, no OCP (Over Current Protection Devices) have been installed in the Negative DC Return Bus.
7. What was Earth Ground Referenced now Exceeds ELV (Extra Low Voltage) definitions in NEC/NRTL requirements and the lack of OCP in the Negative DC Bus will allow 80 amps (in this Fault) to flow through all Negative DC Bus paths (including 14 AWG and smaller DC branch power and signaling circuits, if present).
8. Subsequent faults between DC Negative Bus and Earth Ground could cause fusing of DC Negative Branch or communications signaling wiring. Violation of [240.20, 690.13]
9. Would also cause excessive voltage and current flow to equipment that uses Earth Ground for signaling reference (external computers, battery monitor, data logging equipment, etc.).

Conclusion:

Because, as designers, we are required to meet the definition of Separated or Safety Extra-Low Voltage (SELV) [http://en.wikipedia.org/wiki/Extra-low_voltage] in most low voltage DC systems:

IEC defines an SELV system as "an electrical system in which the voltage cannot exceed ELV under normal conditions, and under single-fault conditions, including earth faults in other circuits".

The NEC DC GFP as currently designed and implemented does not comply with these other safety requirements.

And when implemented at the system level, standard industry Ground Referenced Design Practices will improperly assume that DC Return when Earth Referenced should never deviate from near Zero Volts. And in no case, will ever exceed ELV/SELV values.

If NEC DC GFP operates as designed when presented with a single Ground Fault on the Power Bus, it can cause unacceptable hazardous energy to be present as the DC GFP Detector is designed to be the weak link in the typical current path.

If there is a permanent ground between Negative DC Return and Earth Ground, then any excessive current flow will either be limited to safe levels by design (PV Solar Array NEC Cabling Design requirements or will trip one or more OCPs on the Positive Power Bus any current that exceeds the OCP ratings.

Appendix A (earth fault scenario figures):

The following figures document how the NEC DC GFP Earth Fault Detection Element causes non-compliant and functionally dangerous conditions as the result of normal 1 fault scenarios.

There are four drawings which graphically represent:

- Typical (minimum configuration) NEC DC GFP installation.
- Three NEC DC GFP fault scenarios (note: fault voltages/current availability are with respect to Earth Ground on drawings)
- Recommended fix for existing and new installations.

These five drawings do not document the subsequent failures/faults/safety issues that are created by the initial NEC DC GFP fault trip lifting “safety ground” (earth ground).

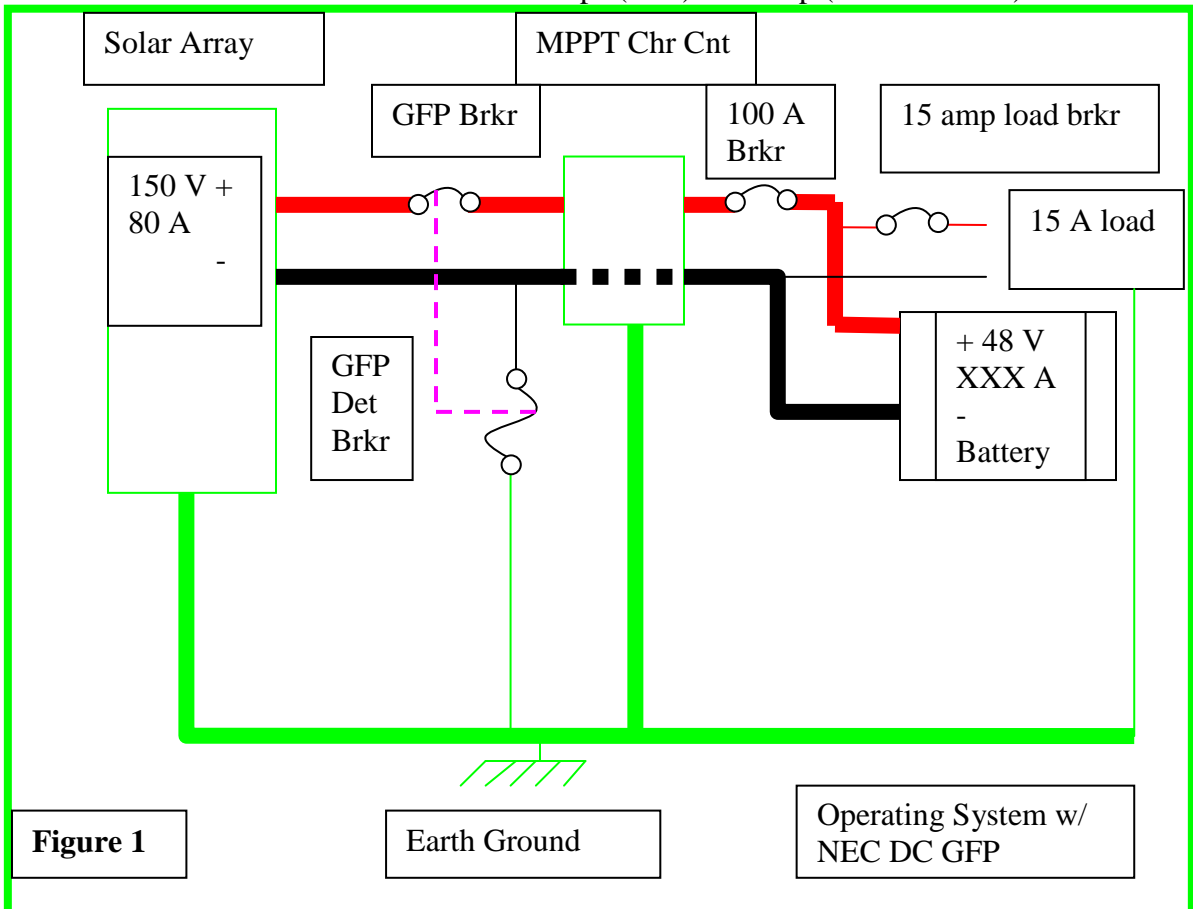
Also note that in all 3 fault scenarios, the Earth Fault Current will always be interrupted by the NEC DC GFP ~1 Ampere “fault detector” breaker (OCPD).

The Single Pole Ganged Breaker in the DC Power Line from the Solar PV Array to the Solar Charge Controller is either redundant or provides no function in turning off the Earth Fault Current.

#1 NEC DC GFP (ground fault protection) generic system setup using an external dual ganged 1A/100A GFP breaker on the PV + side of a MPPT Solar Charge Controller.

I will make some quick assumptions here—May not be an “optimal” solar PV system with MPPT controller, but demonstrates the upper limits of the issues I see.

- Voc-cold-array = ~150 VDC
- Isc-array = ~80 amps
- 48 volt battery bank >> 100 AH
- 80 amp continuous rated panel input Isc-array for MPPT
- 80 amp continuous rated output I_{batt} for MPPT
- Assume generic MPPT type charge controller with 150 VDC / 100 Amp maximum PV Array input and 100 amp breaker (80 amp continuous) DC output to battery bank---~12-48 nominal battery voltage.
- Assume 1 amp Ground Fault Detection breaker between DC Return and Earth Ground. Assume 100 Amp Ganged Breaker (with 1 amp GFP Detector Breaker) which turns both 1 amp and 100 amp breakers off.
- Assume DC Negative Bus is ground referenced via A) 1 amp breaker (NEC DC GFP) or B) Solid Earth Ground Bond (as recommended this report).
- Assume thick lines are rated for 100 amps for power bus or 6 AWG minimum for earth grounding.
- Assume thin lines are rated for 15 amps (load) or 1 amp (GFP Det Brkr)

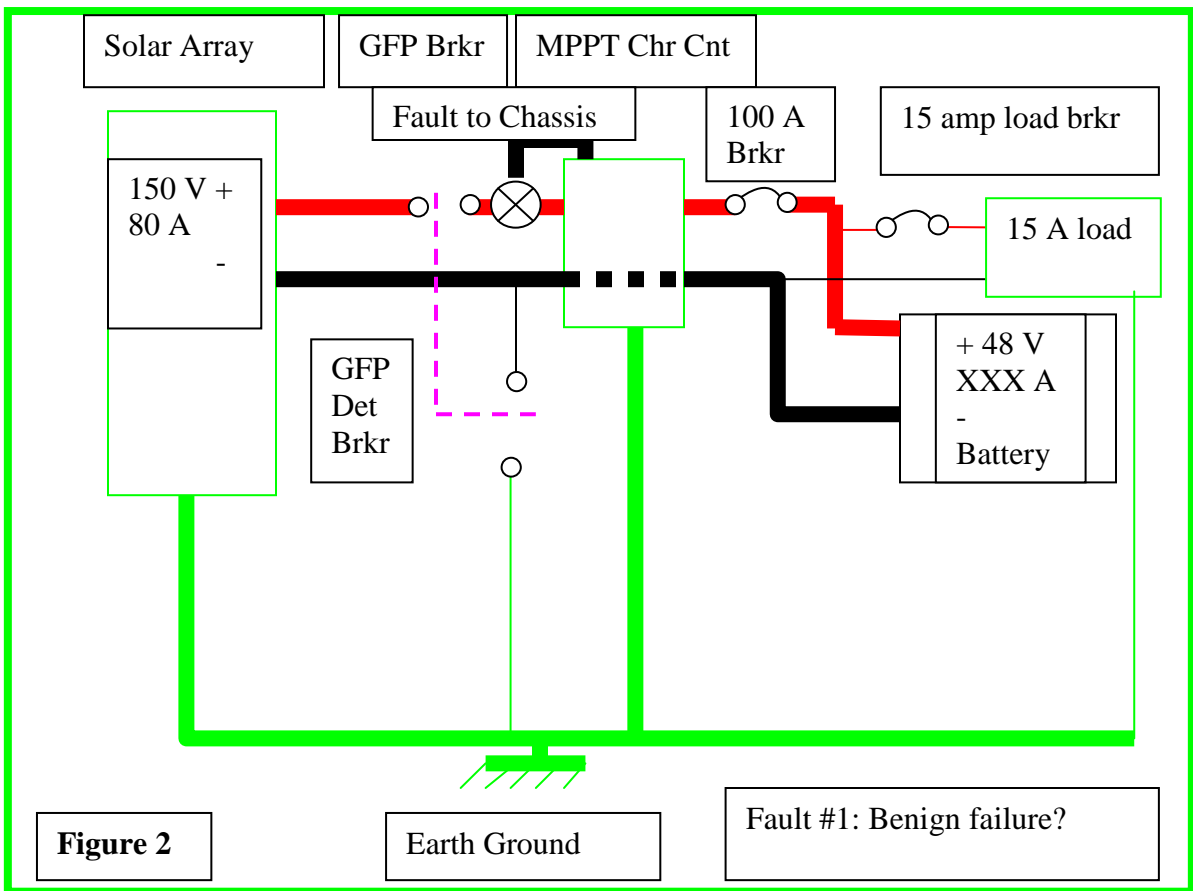


#2 Insert Ground Fault between GFP Brkr and MPPT controller.

Fault causes current flow between +Array to MPPT Case, to Earth Ground, through GFP Det Brkr, to -Array. Causes Det Brkr to open, which opens GFP Breaker.

This is an “unknown behavior” failure... I do not know how a MPPT controller will behave in this situation, but this fault may be benign if MPPT does not pass + bus current. It does leave the Power Bus ungrounded (floating). Has other system related issues but pass for now as this would be a lot of discussions of things we don't care about right now.

If I was wearing my “design for worst case assumptions”, I would assume +Vpanel to +Vbattery is a dead short. This becomes the same failure and raises the same issues as in Figure #4.



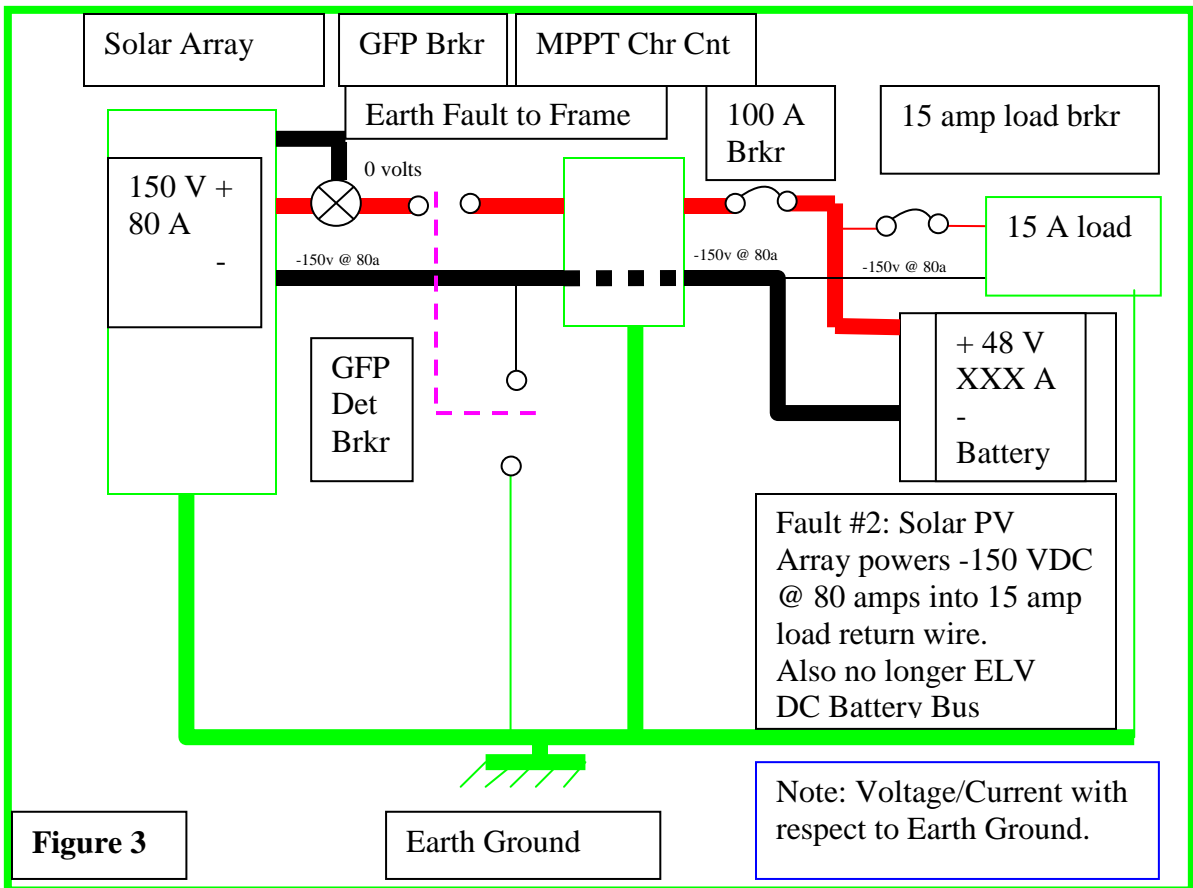
#3 Fault between GFP Brkr and +Varray to Solar Panel Frame (earth grounded per code).

We have current flow from +Varray through Panel Frame to Earth Ground to GFP Det Brkr to -Varray. Causes GFP breakers to open. This will normally not cause Array series fuses or any other + side protective devices to open... Weak link is DC GFP Detector.

Now, during daylight hours, the +Vpanel is at zero volts (relative to earth ground) and -Vpanel is at -150 VDC with 80 amp Isc available.

Assuming -Vpanel hard connects to -Vbattery through the MPPT charge controller, the -Vbatt is now at -150 VDC. Well outside of the ELV rating for UL 1459 (or whatever are the current/appropriate specs today—I am out of that loop for decades). +Vbattery is at 150V-48V=-102Volts.

If there is a fault at “15 A Load” between -Vbatt and Earth Ground, there will be ~-150 Volt potential and 80 amps through the 14 AWG return wire which has no Over Current Protection Devices in the entire path from Array to load and back through earth return and is simply limited to Panel’s Isc.



#4 Fault somewhere on +Vbattery bus

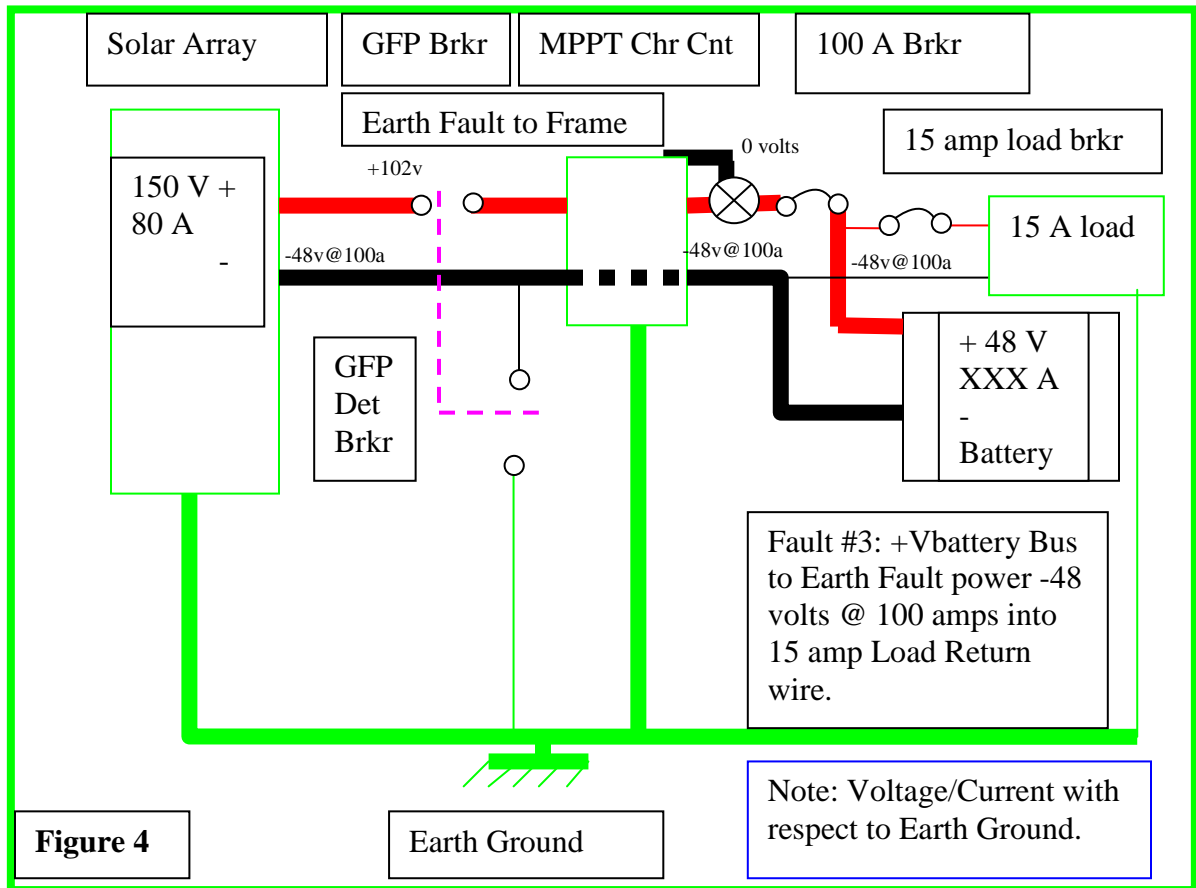
Assume in this case wiring between charge controller and 100 amp breaker GFP Brkr and MPPT controller chassis ground.

Current flows from +Vbattery through 80 amp breaker, to MPPT case, to Earth Ground through GFP Det Brkr to -Varray/-Vbattery. Causes GFP breakers to open.

At this point, +Vbattery becomes 0 VDC (earth reference). And -Vbattery becomes -48 VDC with 100 Amps of available current (because I choose to short after 100 amp breaker in this example).

At this point, the maximum current anywhere in the DC return path is defined by where the Earth Fault occurs on the positive bus. An earth fault will not cause any Positive distribution Over Current Protectors to trip as the “weak link” is the 1 amp GFP Det Brkr.

If there is a fault at “15 A Load” between -Vbatt and Earth Ground, there will be ~-48 Volt potential and 100 amps through the 14 AWG return wire which has an undefined (100 amps in this example) protection devices in the path from +48Vbattery through earth grounding, then to load (chassis and DC return) and back through DC return bus (mixed AWG) to battery.



#5 Proposed Fixed / Proper Method of DC grounding for all systems:

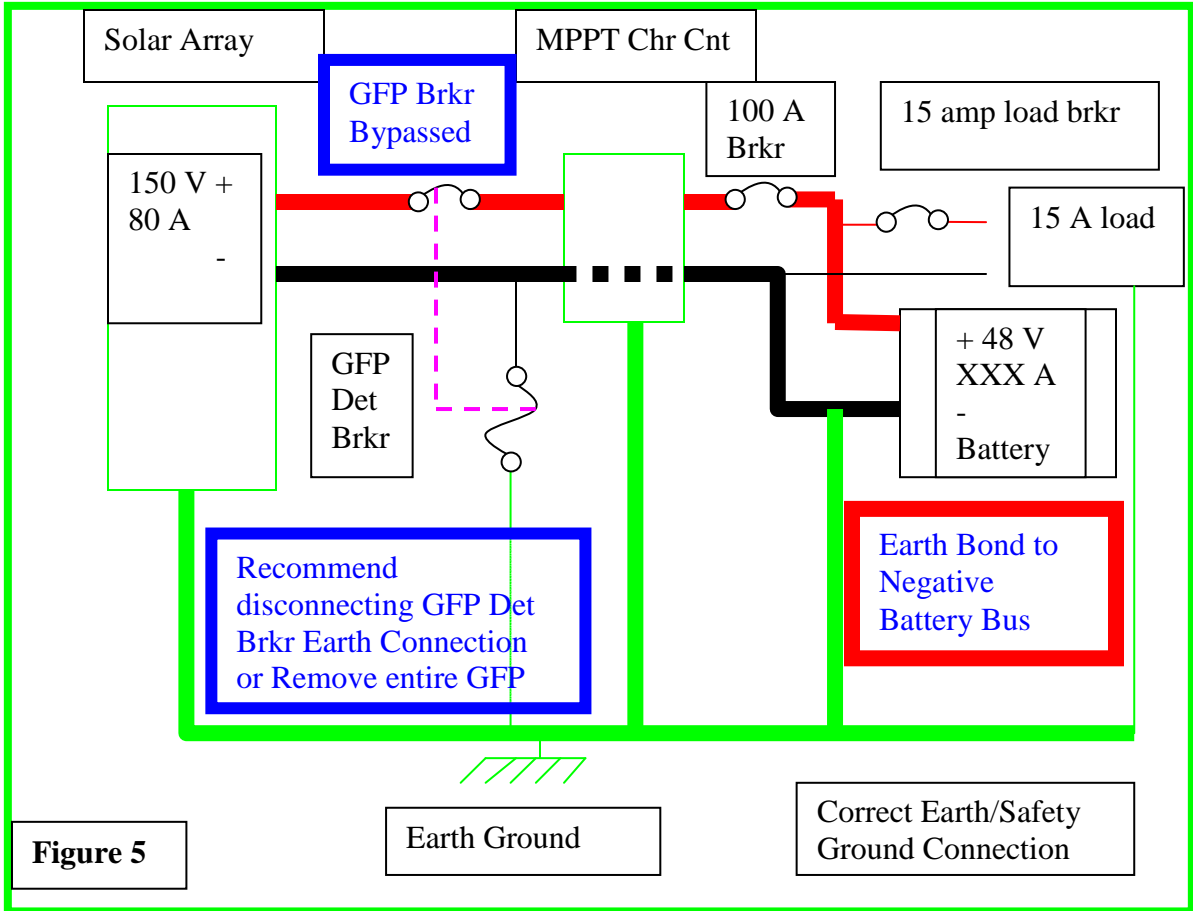
1. NEC DC GFP may be left in or taken out—Does not matter from safety point of view (recommend disabling detection circuit as it causes multiple DC Earth Grounds).
2. Hard Earth the Negative DC bus per normal code requirements.

Assuming ARC Fault protection as implemented per NEC DC GFP is not “important” as it offers rather limited protection vs all other ELV/Excessive unprotected current flow resulting from “proper” operation of DC GFP system and Single Earth Faults which will cause true fire and ELV/SELV hazards.

All initial faults will still limit current to design maximum (Isc of array, or appropriate circuit breakers/wiring gauges per NEC).

- Initial faults will either continue current flow safely (+Vpanel to earth/ground/battery ground faults). May be “hot spot” at point of fault. But that would be true of multiple other faults that NEC DC GFP did not protect against.
- All other +Vbattery Faults will be limited by their appropriate Main/Distribution Breakers.
- Varray may not be ELV... But all DC Power Bus +/-/Earth reference voltages will never exceed Vbatt under normal operation.
- All circuits that use Negative DC bus for “ground reference” (i.e., RS-232, USB, and other non-isolated circuits) will never be above or below Earth/-DC power (all will be near zero volts except for voltage drops caused by current flow).
- Any other devices that use Earth Ground as a reference (i.e., computers with comm. Ports, etc.) will also never see Vpanel or Vbattery voltage differences between Earth Ground and DC ground reference from PV system DC Power Bus.

All subsequent faults will still be safe and meet NEC/IEC/etc. safety requirements.



Appendix B (implications to other connected equipment):

There are other failure mechanisms with other common devices (such as non-isolated MSW 120/240 VAC off-grid Inverters) that I have not addressed in the previous figures—but these devices also are subject to the similar safety issues with the NEC DC GFP system.

These subsequent hazards and faults are caused by the presentation of non-ELV / non-SELV voltage and uncontrolled energy on what would normally be the Ground Referenced Power Bus/Cabling.

This unsafe energy present on the “White” NEC defined DC Return Bus Ground Referenced conductor can cause fire, shock, injury and death via accidental/faulted contact with the now energized conductor is one violation of NEC.

Another violation on non-isolated system/devices that use the DC Power Bus; most engineers/systems assume that the DC Return (negative or ground return power bus in this set of examples) can be used as a reference level for inter device communication and as a current return to supply small amounts of power to external devices (repeaters, cooling fans, etc.).

The presence of 100’s of volts and 10’s-1,000’s of Amperes on what, according to NEC and various NRTL requirements should be at Zero Voltage Potential with respect to Earth Ground is nothing that any equipment design engineer, manufacture, or NRTL agency foresaw as an environment where such non-isolated product would be placed.

At this point, every Solar Renewable System that has implemented the NEC DC GFP system is just one Power Bus to Earth Fault away from energizing what historically has been a non-hazardous, touch safe zone.

The one single DC Power Bus to Earth Fault will either immediately cause small signal and low power interconnect cables to overheat/fail, or energize conductors/exposed metal to energy levels that would never have been expected or allowed by NRTL agencies.

The actual voltage and current levels presented depend on a whole host of variables and cannot be defined/qualified by likely Power Bus to Earth Faults. The actual hazards are related to individual installations, including solar array ratings, battery bank voltage, OCP ratings in DC Power Bus, equipment connected to bus, use of non-isolated communications circuits, use of high power non-isolated devices (MSW—Modified Square Wave—Inverters) etc.

There is no way for untrained personnel to evaluate individual installations for risk provided by NEC DC GFP. And these risks may change over time as systems are reconfigured, repaired and upgraded in the field.

Appendix C (Arc Fault Implementation):

Midnite Solar has implemented Series Arc Fault on their new “Classic” MPPT Charge Controller.

On a “per device” Arc Fault detection / Current inhibit implementation; Midnite believes that this function addresses a common form of failure in Solar Arrays and Output Wiring. Detection and interruption of Series Arc Faults (poor/corroded power connections, improper use of high flex/fine “welding cables” and inappropriate binding hardware, etc.) has replaced the need for the NEC DC GFP System [per Robin Gudgel].

Series Arc Faults (poor connections in current path) are much more common and are serious fire hazards in their own right. Prior to the release of SAF protection, there has not been any effective method to address reports of solar array/wiring fires from otherwise properly installed and operating system where water and age has degraded electrical bonds in the array wiring. Implementing Series Arc Fault protection actually provides a real improvement in fire safety on existing and new installations without requiring any changes to the existing branch wiring or solar panels/arrays (no boxes/fire resistant protection of electrical connections, no additional fire barriers for rear of solar panels, etc.).

None of these real improvements in fire safety can be matched by the existing NEC DC GFP circuitry.

NEC DC GFP cannot detect series arc faults and therefore cannot interrupt an in process series arc fault. And cannot detect/prevent mill-amp level differential current flow for either fire or shock safety (as in AC GFI implementations with simple differential current transformers). So it does not address shock hazards either (and actually increase shock hazards in proper operation).

Because no Solar RE NEC DC GFP implementation has two pole current interruption (as required for isolated power systems) and does not require the implementation of Common Trip (Shunt Trip) two pole circuit breakers on each and every possible power source in Renewable Energy DC Power System (solar panels, wind turbines, battery banks, AC coupled inverters, both Power and Return of Branch Circuits, etc.)—There is no reasonable reason for NEC 690.5 to require (or even allow) NEC DC GFP.

Combining the higher likelihood of Series Arc Faults, the ease and low cost to implement SAF detection and current transfer inhibit versus the low frequency and serious safety flaws in NEC DC GFP implementations—Midnite Solar’s implementation of Series Arc Fault detection and current interruption has eliminated even the need for a DC GFP protection system as currently deployed [per Robin Gudgel, Midnite Solar].

If DC GFP were to be required/re-defined to provide similar protection as AC Ground Fault Interrupter protection using currently available hardware and appropriate safety requirements, it would add ~\$300-\$400 (or more) per device. Also such a protective

PV Ground Fault Protection Devices, *National Electric Code* Section 690.5 and Violations of NEC 250 and UL/IEC Listing/Registered Equipment Requirements

device would have to be an external device as it would be too physically large/bulky to be made internal to most products (such as a DC solar charge controller) [per Bob Gudgel, Midnite Solar]

Appendix D (Grid Tied / Utility Interactive Inverter Implications):

I have much less information regarding how the NEC DC GFP circuitry used in Utility Interactive (aka Grid Tied) inverters behaves and will affect overall safety.

For most users, the 120/240 VAC power is the output they are exposed to in normal operation and roof wiring is not normally accessed by end users.. Branch Circuits are required to meet NEC (or equivalent) and therefore the addition of NEC DC GFP probably has little impact here.

However, many of these UI/GT Inverters do have various communication and low voltage interconnect buses—A warning to Manufacturers to perform an engineering review for the implications of reversing Negative vs Positive Grounding and common mode offset by ~600 VDC in the event of certain Solar Array to Earth Faults through their NRTL Listing Agency(ies) should be considered.

Many newer UI/GT Inverters have the ability to operate either as Negative or Positive Earth Grounded Solar Arrays (Sun Power out of Germany requires Positive Grounding of the solar array for optimal operation).

The configurable Positive/Negative earth grounding leads to even more confusion with the implications of Positive / Negative Ground Reversals on the Solar Array wiring. It could lead to errors by service and emergency personnel as to the meaning of “White” and Black/Red/other colors (White being defined as Ground Referenced).

Service personnel need to be trained to understand how to service systems where Earth Ground Reversals could occur (depending on exact NEC DC GFP implementation—may be vendor dependent).

For emergency/first responders, they should (already) be trained to assume that all circuits may contain hazardous voltage and energy (whether solar arrays or DC battery banks).

Appendix E (Fire / First Responders Implications):

As in Appendix E, I do not believe that ground reversal creates an unusual hazardous condition for emergency personnel.

The larger hazard is the use of “Hot Sticks” and other “live circuit” detectors that usually use capacitive coupling of 50/60 Hz voltage are not capable of detecting the presence of DC voltage/energy (solar arrays and battery banks).

One possible requirement would be the use of “Emergency Stop” buttons and shunt trip circuit breakers/inhibit input from all energy sources (solar charge controllers, battery banks, etc.) as sometimes used in large industrial installations.

Other than to acknowledge those options, which exist, are superior to the NEC DC GFP system for safety of emergency personnel—No further discussions will be provided in this paper.

Appendix F (Why Bonded DC Return to Earth Ground is Critical for Safety):

A compendium of why I believe that Bonded DC Return to Earth Ground is virtually mandatory for all non-isolated DC Power Systems (solar PV and all others) both from a safety and product integration point of view.

From my past experiences, working with DC and AC powered communications systems, I had always believed that that Earth Bonded DC Return was a critical piece of the engineering requirements to build a safe and compatible system. Towards that end, I have created this list document the major reasons why inserting a low current OCPD between DC Return and Earth Ground is unthinkable from my experience as a system designer.

We needed a positive connection to a “reference voltage” to ensure that the power buses did not exceed designed ratings (i.e., a nominal -48 volt, positive ground) in any single fault condition. Earth Ground was that reference that all others connected to (frame grounds, plumbing, building frames, etc.). And this carried through system interconnects (both power and signaling).

I have also included how Series Arc Detection and Interrupt will eliminate the need for NEC DC GFP in virtually all cases.

Note, there is one fault that NEC DC GFP works on that no other proposed DC GFP system for PV Array Power to Earth Faults can detect and interrupt—including any that I can think of at this time.

Because PV Solar Arrays are Current Sources with cabling and OCPD designed to be 1.25x the maximum short circuit current—There is no other way to detect and interrupt a Solar Array Positive to Earth Fault (if Negative Ground as an example), short of complex active current monitoring. The detecting Earth Fault current flow by using a Fuse or Circuit Breaker is an interesting concept—but the hazards raised by using a low amperage OCPD between DC Return and Earth Ground overwhelm any advantages provided by the current NEC DC GFP design.

Reasons for Bonded DC Return to Earth Ground:

Based on my engineering experiences, the bonded DC Return to Earth Ground has been a fundamental design assumption for both product safety and system level compatibility.

- Bonded Ground ensures that the DC Return cannot exceed Local Earth Potential by more than a few volts.
- Line Crosses: For areas with 12.5kV / 25 kV distribution, a fallen line onto a roof can energize solar panels and their wiring. We Earth Ground Solar Panel Frames to prevent the metal from becoming energized (for any reason—such as trees knocking power lines on home/solar array). Earth Bonded DC Return prevents DC Power Bus from going outside of defined limits.

- Any DC Power Fault to Earth Ground should have an Earth Ground/DC Return connection sufficient to ensure that enough current flow to trip the OCPD on the DC Power Line (note does not apply to PV Array as it is a current source).
- Any accidental DC Power Bus to Earth Metal will trip OCPD—Typically a Branch Circuit Breaker in DC Power Line. (again, not PV Array faults)
- Assuming 50% of Earth Faults may occur in DC Power and 50% may occur in DC Return wiring/bus/etc.... A single Fault will either trip a OCPD (Power to Earth Fault) or Nothing (Return to Earth Fault). Or, in the case of PV Power Fault, continue to pass rated current through all current paths. (PV Array Earth or Line to Return Faults will not trip OCPD—a problem).
- Any initial DC Power Bus Fault (line to return, line to earth, and return to earth) leaves system in stable and “safe” condition. Any subsequent fault will behave as expected.
- DC Bus Systems have been assumed to be Earth Referenced for a ~Century (starting with early Telephone Equipment?).
- Non-Isolated DC Communications Circuits are prevalent across multiple industries and interfaces (RS-232, USB, Disk Drive Interfaces, Data Logging, etc.). To define a DC Power System to have Earth Referenced DC Return “sometimes”, and at other times to “Invert” the Ground Reference (i.e., from negative to positive ground), and/or inject 10's-100's of volts with 10's-1,000's of Amperes into the Ground Reference “breaks” every non-isolated communications interface there is.,
- All Single Fault Conditions result in stable and easily controlled/identified fault states... For example, a tripped circuit breaker or blown fuse. All other portions of the DC Power System remain intact and operational (per design). No excessive voltages or current present anywhere in the DC Power System.
- No “DC Return” Branch Circuits are energized with non-zero voltage with respect to Earth Ground.
- No “DC Return” Branch Circuits are capable of sourcing/sinking current with respect to Earth Ground (i.e., DC Return to Earth Faults are non-events).
- No “DC Power” Branch Circuit has a voltage other than Zero or DC Bus System Voltage relative to DC Return or Earth Ground.
- No NEC DC GFP disconnects will be tripped based on Faults elsewhere in the DC Power System (i.e., a Battery Bus to Earth Fault will not trip the PV Array Disconnect).
- A single ~1 Ampere Earth Fault anywhere in the DC Power System will not require that 100% of all possible Power Sources (PV Array, Battery Bank, Battery Chargers, Inverters, Wind Turbines, etc.) be equipped with Two Pole disconnects which need to be all switched off for “safety” if NEC DC GFP is tripped (i.e., the need to turn off every possible DC Power Source for a single 1 amp fault).

Existing practices are no longer safe with NEC DC GFP system:

- Example: DC Battery Monitoring Shunts are installed on “Ground Referenced” side of battery bus. Large exposed shunt current sense leads that were very near Earth Ground can now be at 12-48 volts to as much as 150 VDC or more (earth ground reference) with tripped GFP due to ground reference inversion and solar PV array offset voltage (or other sources). Monitoring equipment will need to be redesigned for safety.
- Remote Meters/Displays/Buttons/Sensors for Solar Charge Controller, AC Inverters, AC Battery Chargers, Generator Auto-start Interfaces, etc. are designed with DC Return at Ground and DC Power to not exceed V_{batt} Ratings. Now, cabling and electronics need to be designed to be safe at 150 VDC (or more) with NEC DC GFP tripped due to documented fault conditions.

Reasons no Earth Bond to DC Return is bad for safety:

With an OCPD between DC Return and Earth Ground “tripped”, there is no other connection or device controlling DC Return to Earth Potential.

In some fault cases, the initial fault will trip the NEC DC GFP “detector” and leave the DC Bus energized and off set from Earth Ground with hazardous energy (voltage and/or current) and put the DC Power Bus in an unknown state (depends on equipment, where fault occurs, etc.).

There may be injuries/death from touching the, what should be nominal 0V / Battery Voltage level voltages.

The impressed voltages may be DC or AC with DC offset (need to check for both “unusual” AC and DC voltages on battery bus).

For equipment that uses DC Return as a reference voltage, may cause unsafe current flow in connected support equipment (battery monitors, data loggers, computers).

May cause dangerous voltages/energy to be impressed on connected support equipment (for example, a battery powered portable computer could have metal chassis/signal ports energized to 150-600 Volts with respect to earth ground).

And subsequent faults may be unprotected by OCPD (positive/negative ground inversion removes OCPD from current source/sink branch wiring paths). Leading to Fire, injury, or death.

Multiple Sources of Energy in Solar PV DC Systems—Not only the PV Array:

- Faulted PV Array can provide new ground reference (tripped NEC DC GFP detector). Voltage is based on installation specifications (12v-600 VDC, roughly 0-100 Ampere fault current ratings for “home sized” PV arrays)
- Faulted Power Bus of DC Battery Bank same neg/pos ground inversion and voltage/current based on DC system specifications and exact point of DC Power to Earth fault (12-48/60 VDC. 100's to 10,000's of Amperes of fault current)
- There are other devices which will produce very non-intuitive fault conditions... For example a standard MSW inverter (100's to 1,000's of Watts) is usually a non-isolated design. If there is a Earth Faulted 120 VAC output Line conductor faulted to Earth—this will cause the Inverter to “Earth Fault” the DC Battery Bus and trip the NEC DC GFP OCPD “detector”. This small 1 amp breaker will open and “float the DC Power Bus” and (I think) inject common mode AC onto the DC Battery Bus (roughly equal to MSW ~120-240 VAC wave form?) at high currents (in a bonded DC Return / Earth system, enough to trip a OCPD on the DC branch circuit for the inverter or possibly the AC output OCPD).
- Earth's Electric Field... ~100's of volts per meter (clear air). Small current but can charge ungrounded metal to 100's and even thousands of volts. Many devices have capacitors/capacitance relative to earth ground (metal conductors, filter capacitors, etc.). Sufficient stored energy for high energy discharges (injury/death/ignition source). When NEC DC GFP is tripped, there is no defined path to bleed off currents that tend to charge elevated/insulated metal structures (radio towers, PV Arrays on Roof, etc.). Over time, static charges could build up and provide substantial shocks in clear weather.
- Lighting / Thunderstorms will increase Earth's electric field to hazardous voltages and currents. Ideally, need to shunt current/voltage from nearby lightning strikes to ground. With DC Return to Earth Ground open—Another path will need to be found. Nearby strikes could “false” trip NEC DC GFP detection system. Again, leaving elevated voltage levels on “floating” DC Power Bus (and Array).

Voltage Limit for Solar RE DC Power Bus is set by “air gap” and other unintentional, and intentional, arc gaps in system “devices”.

- With NEC DC GFP “detector” tripped, an air gap of 1/4” to 3/8” (300vdc / 600 vdc) which means a Nominal Minimum breakdown voltage (assuming ~50 volts per 0.001 inch) of ~12,500 volts (1/4”) or ~18,750 volts (air gap per UL 1741).
- Delta Lightning Suppressors ~ 7,000 VDC
- Other unintentional spark gaps (capacitors, fuses/breakers, physical construction, and insulator punch through) will most likely be the first fail.

- Unintentional Voltage Clamping can reduce safety (insulation punch through, carbon tracks, welded contacts, etc.).
- Series OCPD are not rated to “interrupt” either static charge or lightning energy levels. Will not (intentionally) limit high voltage (and associated current) brought into building.
- Lifted DC Return Earth Ground (via tripped NEC DC GFP OCPD detector) allows hazardous voltages to be present in DC Power System (when tripped). It would seem like this would require service personnel to manually earth ground the DC Return any Solar RE Power System prior to service as system is “armed” to present unsafe voltage and current levels throughout DC Power System in the event of any single earth fault (no matter the cause). Service personnel manually bonding DC Return would disable NEC DC GFP system during service.

After initial DC Power to Earth Fault, system can be left in unstable condition

- Possible Negative / Positive Earth Ground reversal
- Earth Ground to DC Return path open allowing DC Return to float relative to ground
- PV Array can drive DC Return to 12v, 24v, 48v, 60v, 150 VDC, 300 VDC or even 600+ VDC depending on location of fault.
- NEC DC GFP is “assumes” that Ground Fault was in PV Array. Any Ground Fault in the system will give same indication as PV Array fault (DC Power Bus, MSW Inverter AC Ground Fault, non-isolated DC communications gear GF, AC Battery Charger GF, Battery Bus GF, etc.).
- DC Return Bus may be energized with amps, 10's, 100's, or even 1,000's of Amperes depending on location of Ground Fault
- PV Array Disconnected even though fault may not be in Array.
- Assuming 50% of Earth Faults may occur in DC Power and 50% may occur in DC Return wiring/bus/etc.... A single Earth Fault will either trip 1 amp OCPD detector (Power to Earth Fault) or bypass 1 amp OCPD detector (Return to Earth Fault) and render the NEC DC GFP system inoperative with no indication or passive method of detection/monitoring/reporting.
- In off-grid installations it is very common that the consumer shorts out the DC-GFP. They ground the battery negative. This happens a lot! The NEC DC-GFP is rendered inoperative. [per Robin Gudge]
- NEC DC GFP system is unsafe to service while live. Either entire system needs to be shut down or manually Earth Grounded prior to service for safety.

Understanding of NEC DC GFP is not correct.

- Existing Single Pole PV Ganged OCPD is redundant. In only one specific failure (see Figure #2) where the “100 amp” OCPD Trip MAY stop PV Power to Earth Ground current flow.
- Existing 1 amp NEC DC GFP detection Breaker/Fuse is responsible for interrupting Ground Fault Current.
- Proposed two pole Solar Array Disconnect will only be a primary Earth Fault Disconnect in one very specific Earth Fault location (PV Array). Otherwise, 1 amp NEC DC GFP OCPD will be the primary or only device interrupting Earth Fault Current for any and all DC Power / PV Array Power to Earth Faults.
- Earth Faults from other sources (for example a Computer Logger with earth referenced Line Cross to Communications Interface) can “inject” >1 amp of Earth Fault current into NEC DC GFP system and cause Earth Fault which would disconnect PV Array.
- NEC DC GFP is not an Arc Fault Sensing Interrupt for PV Arrays. NEC DC GFP does not interrupt any Series Arc Faults. Midnite (and others?) currently have product with the ability to detect and SAFELY interrupt Series Arc Faults in Solar Array Cabling.
- There are “redundant” circuit breakers in the PV Power input to solar charge controllers. One is ganged to the 1 amp pole. There is supposed to be a second breaker in series with the high current DC-GFP breaker so [the service personnel/end users] do not unground the system when turning off the array. ... People are always using the DC-GFP breaker assembly as their PV disconnect. They see the second disconnect in series and do not understand why, so they do not put it in. [per Robin Gudge] This lifts the Earth Ground from the DC Power System.

NEC DC GFP is not understood by UL/NRTL’s either:

At this point in time, there appear to be several major holes in the NRTL Listing of product with respect to NEC DC GFP and the system implications (common mode voltage offsets, inversion of Positive/Negative Ground Reference, and uncontrolled (no OCPD in DC Return when pos/neg ground reference inverted).

It appears that NRTL inspections assume standard DC Ground that is “tied” to Earth Ground.

And that they do not look for non-isolated communications/monitoring/logging interfaces and what the implications of a single Earth Fault with the NEC DC GFP:

- UL or ETL does not test for this. They pretty much do not test the communications lines at all. They certainly would not test for high voltage on the bat neg or PV neg line. [per Robin Gudge]

Warning Label is not very helpful:

And the required warning label is actually wrong as in normal operation the circuit conductors are Earth Referenced by the ~1 amp OCPD detector. Depending on present state of the NEC DC GFP, the conductors may be Earth Referenced (as designed), or inverted Earth Reference (colored are now Earth Referenced and White is energized upwards of 150 to 600 VDC depending on array), or may be floating/soft referenced.

And in some cases, (AC output earth faulted but still operating MSW Inverter as an example), there may be AC voltage/current present too.

And has very little information that would inform a service person or end user on how to proceed:

WARNING

ELECTRIC SHOCK HAZARD. THE DIRECT CURRENT CIRCUIT CONDUCTORS OF THIS PHOTOVOLTAIC POWER SYSTEM ARE UNGROUNDED BUT MAY BE ENERGIZED WITH RESPECT TO GROUND DUE TO LEAKAGE PATHS AND/OR GROUND FAULTS.

Reason for Earth Fault Breaker/Fuse/Detection (via NEC DC GFP):

I do understand that this method of NEC DC GFP was created to solve a very real problem... If a PV Array Power Lead shorted to Earth Ground—This would not cause any OCPD to trip anywhere in a DC Power System not equipped with NEC DC GFP.

- Solar array is current mode device. Not enough current to cause OCPD to trip using “traditional” code for PV Power to Earth Fault.
- Any other method for detecting unbalanced current flow in DC circuits is difficult and expensive vs the simple current transformer used for AC ground fault protection.
- Present NEC DC GFP 1 amp OCPD can stop Earth Ground Fault current from PV (or any DC Power) by itself.
- Proposed NEC DC GFP 1 amp OCPD can stop current from PV Earth Fault protected by ganged two pole breaker. Other Earth Ground Fault currents will still only be interrupted by the ~1 Amp rated NEC DC GFP Earth Fault Detection OCPD.

Reasons for Arc Fault Detection/Protection (with Earth Bonded DC Return):

NEC DC GFP is not capable of the following:

- Series Arc Detection and Interrupt stops true Arcs.
- Series Arc Detection and Interrupt inhibits current flow in power (or load) circuit in Arc Fault.
- SADI is expandable beyond the core system. Lends it self very well to Branch circuitry monitoring and control. Applies to both Power Sources, Loads, and bi-directional devices (understand that Arc Fault is currently only required on PV Arrays > 80 Volts).
- Scalable beyond small systems and is not susceptible to scaled up normal leakage currents which would can false trip NEC DC GFP.
- SADI isolates subsystem where fault occurs.
- SADI is independent of current flow... Low or high current arcs are detected and interrupted
- SADI does not require shutting down entire DC Power System because of 1 fault to maintain safety (except for Grid Tied Inverters with single array inputs).
- SADI does not make DC Power System Unsafe with any defined single fault scenario.
- SADI can be added to new products and does not compromise safety with existing/grandfathered equipment and practices.
- SADI is flexible—Can be implemented with Standard OCPD hardware, or can be implemented in non-traditional ways (inhibiting switching power supplies in Solar Charge Controllers, AC Inverters, Battery Chargers, etc.).
- SADI is not disabled by single system faults (line to return, line to earth, and return to earth).
- SADI is not disabled by customers/end users who frequently jumper Battery Negative to Earth Ground [per Robin Gudgel].
- SADI protects entire series connected DC Power to DC Return path.

Appendix G (reference documentation and acknowledgements):

I wish to thank several companies here for their support of open communications by hosting public forums where technical discussions can be held regarding Renewable Energy systems.

The first here are the discussions regarding NEC DC GFP (that I am aware of). I started here as a poster and am currently a volunteer moderator in the Wind-Sun.com forum.

Hosted by Northern Arizona Wind & Sun, a Solar RE Retailer/Wholesaler.

September 2007: <http://www.wind-sun.com/ForumVB/showthread.php?t=1298>

February 2010: <http://www.wind-sun.com/ForumVB/showthread.php?t=6918>

March 2011: <http://www.wind-sun.com/ForumVB/showthread.php?t=10650>

The following discussion is hosted by Midnite Solar (Robin and Bob Gudgel Founders).

One of our posters from the Wind-Sun.com forum asked about NEC DC GFP and I suggested that he post his questions forum on Midnite Solar's forum as this was a question specifically about their recently released "Classic" MPPT Solar Charge Controller (Maximum Power Point Tracking).

March 2011: http://midnitesolar.com/smf_forum/index.php?topic=142.0

Bob Gudgel entered the discussion in the above link and he worked with me to understand my concerns with the dangers behind the NEC DC GFP implementation.

Poster "Kent0" also provided a nice drawing to document one of the fault conditions.

I would like to thank Ryan Stankevitz from Midnite solar. He (along with Tom Carpenter from Midnite Solar) helped by reviewing my initial and subsequent drafts/drawings.

Ryan also tested my several Earth Fault Scenarios (although he did not go so far as fusing the DC Return 14 AWG wire—that was a bit more than he wanted to demonstrate on his system).

And a big thank you to John Wiles for his PV NEC Suggested Practices document which helped me to understand the reasoning and implementation of the NEC DC GFP:

<http://www.nmsu.edu/~tdi/Photovoltaics/Codes-Stds/PVnecSugPract.html>

-Bill Baldwin 2011
San Mateo California

From: CESWL-Table Rock Shoreline Management Plan Update <CESWL-TableRockShorelineManagementPlanUpdate@usace.army.mil>
Sent: Tuesday, August 29, 2017 8:42 AM
To: Murphy, Gina L.
Subject: FW: [EXTERNAL] Table Rock Lake Shoreline Management Plan

-----Original Message-----

From: Jami`Lower [<mailto:crippledreiner@gmail.com>]
Sent: Monday, August 28, 2017 12:10 PM
To: CESWL-Table Rock Shoreline Management Plan Update <CESWL-TableRockShorelineManagementPlanUpdate@usace.army.mil>; savetablerock@gmail.com
Subject: [EXTERNAL] Table Rock Lake Shoreline Management Plan

TO: Corps of Engineers Decision Makers

FROM: Jami Lower

RE: Table Rock Lake Shoreline Management Plan

Dear Corps of Engineers Decision Makers,

I am deeply concerned about the drastic changes that are being proposed in your draft Shoreline Management Plan for Table Rock Lake. The community has been very clear in thousands of public comments submitted that we are opposed to over-regulation. We've asked many times for NO CHANGE to be made to the Plan, but there are several items of major concern:

- I object to the carrying capacity as it limits the right to use the lake.
- I object to tighter restrictions placed upon vegetative management permits.
- I object to the new non-transferable grandfathered vegetative management permit rule.
- I object to financial hardships of removing electricity from the lake.
- I object to only one request every five years for dock modification.
- I object to the 8' depth requirement for any new docks.

I would ask that the Shoreline Management Plan NOT be changed. At the very least, please do not allow the changes noted above to go into effect. It would have a devastating economic impact and would be detrimental to the public's right to use and enjoy our lake.

I think things are fine with the lake the way they are! I've lived in this area my entire life and enjoy camping and lake life! Our favorite spot is Cape Fair. Please leave things the way they are!

20170828_Lower_J-W

I am encouraged that the public's comments during the process have been acknowledged by the Corps. Thank you for listening. Please continue to help us protect our rights to use and enjoy our beautiful lake.

Sincerely,

Jami Lower

From: CESWL-Table Rock Shoreline Management Plan Update <CESWL-TableRockShorelineManagementPlanUpdate@usace.army.mil>
Sent: Tuesday, August 29, 2017 8:50 AM
To: Murphy, Gina L.
Subject: FW: [EXTERNAL] Table Rock Lake Shoreline Management Plan

-----Original Message-----

From: Roger`Lueckenotte [<mailto:ritalueck54@gmail.com>]
Sent: Monday, August 28, 2017 9:35 PM
To: CESWL-Table Rock Shoreline Management Plan Update <CESWL-TableRockShorelineManagementPlanUpdate@usace.army.mil>; savetablerock@gmail.com
Subject: [EXTERNAL] Table Rock Lake Shoreline Management Plan

TO: Corps of Engineers Decision Makers

FROM: Roger Lueckenotte

RE: Table Rock Lake Shoreline Management Plan

Dear Corps of Engineers Decision Makers,

I am deeply concerned about the drastic changes that are being proposed in your draft Shoreline Management Plan for Table Rock Lake. The community has been very clear in thousands of public comments submitted that we are opposed to over-regulation. We've asked many times for NO CHANGE to be made to the Plan, but there are several items of major concern:

- I object to the carrying capacity as it limits the right to use the lake.
- I object to tighter restrictions placed upon vegetative management permits.
- I object to the new non-transferable grandfathered vegetative management permit rule.
- I object to financial hardships of removing electricity from the lake.
- I object to only one request every five years for dock modification.
- I object to the 8' depth requirement for any new docks.

I would ask that the Shoreline Management Plan NOT be changed. At the very least, please do not allow the changes noted above to go into effect. It would have a devastating economic impact and would be detrimental to the public's right to use and enjoy our lake.

I have lived here and owned a slip in a dock since 1994. I am opposed to the very restrictive proposals presented in this Shoreline Management Plan. We have cooperated with the past plans from the Corps of Engineers and are happy to continue with the old plans. Please listen to the residents.

20170828_Lueckenotte_R-WA

I am encouraged that the public's comments during the process have been acknowledged by the Corps. Thank you for listening. Please continue to help us protect our rights to use and enjoy our beautiful lake.

Sincerely,

Roger Lueckenotte

From: CESWL-Table Rock Shoreline Management Plan Update <CESWL-TableRockShorelineManagementPlanUpdate@usace.army.mil>
Sent: Monday, September 04, 2017 11:11 AM
To: Murphy, Gina L.
Subject: FW: [EXTERNAL] Little Rock District Contact Form: Future changes to Table Rock Lake

-----Original Message-----

From: Coburn, Dana O CIV USARMY CESWL (US)
Sent: Wednesday, August 30, 2017 8:40 AM
To: CESWL-Table Rock Shoreline Management Plan Update <CESWL-TableRockShorelineManagementPlanUpdate@usace.army.mil>
Subject: FW: [EXTERNAL] Little Rock District Contact Form: Future changes to Table Rock Lake

-----Original Message-----

From: CESWL-TR-DutyRoom SWL
Sent: Wednesday, August 30, 2017 8:35 AM
To: Coburn, Dana O CIV USARMY CESWL (US) <Dana.O.Coburn@usace.army.mil>
Subject: FW: [EXTERNAL] Little Rock District Contact Form: Future changes to Table Rock Lake

Dana,

More SMP update comments.

V/R

Malcolm Fortson
Park Ranger
US Army Corps of Engineers
Table Rock Project Office
4600 State Highway 165
Branson, Missouri 65616
(501) 340-1935 (DUTY ROOM OFFICE)
DutyRoom.TableRock@usace.army.mil
(417) 334-4169 FAX

20170828_Malczynski_D

malcolm.w.fortson@usace.army.mil

[https://urldefense.proofpoint.com/v2/url?u=http-](https://urldefense.proofpoint.com/v2/url?u=http-3A_www.swl.usace.army.mil_Missions_Recreation_Lakes_TableRockLake.aspx&d=DwIGaQ&c=NpiPIT1KNSO0vXgGk6ogJQ&r=tEs4dC0c8-qnahgpfHCY2IIJ1QUssAle4FK88H3xxNU&m=CM-7MOqiEOsTCsbXBra1BjQ98i9XtDs5H5ZLPS2E5s&s=dgZQxoVC8uNPZrjKA-VHuZXq1hGFYTr5CpdsuTbDK6s&e=)

[3A_www.swl.usace.army.mil_Missions_Recreation_Lakes_TableRockLake.aspx&d=DwIGaQ&c=NpiPIT1KNSO0vXgGk6ogJQ&r=tEs4dC0c8-qnahgpfHCY2IIJ1QUssAle4FK88H3xxNU&m=CM-7MOqiEOsTCsbXBra1BjQ98i9XtDs5H5ZLPS2E5s&s=dgZQxoVC8uNPZrjKA-VHuZXq1hGFYTr5CpdsuTbDK6s&e=](https://urldefense.proofpoint.com/v2/url?u=http-3A_www.swl.usace.army.mil_Missions_Recreation_Lakes_TableRockLake.aspx&d=DwIGaQ&c=NpiPIT1KNSO0vXgGk6ogJQ&r=tEs4dC0c8-qnahgpfHCY2IIJ1QUssAle4FK88H3xxNU&m=CM-7MOqiEOsTCsbXBra1BjQ98i9XtDs5H5ZLPS2E5s&s=dgZQxoVC8uNPZrjKA-VHuZXq1hGFYTr5CpdsuTbDK6s&e=)

[https://urldefense.proofpoint.com/v2/url?u=https-](https://urldefense.proofpoint.com/v2/url?u=https-3A_anglerspy.com_&d=DwIGaQ&c=NpiPIT1KNSO0vXgGk6ogJQ&r=tEs4dC0c8-qnahgpfHCY2IIJ1QUssAle4FK88H3xxNU&m=CM-7MOqiEOsTCsbXBra1BjQ98i9XtDs5H5ZLPS2E5s&s=NUnYPYAInqPw0tjJ3LzUsUSG6q4sajo4VD0LMP1jEQ&e=)

[3A_anglerspy.com_&d=DwIGaQ&c=NpiPIT1KNSO0vXgGk6ogJQ&r=tEs4dC0c8-qnahgpfHCY2IIJ1QUssAle4FK88H3xxNU&m=CM-7MOqiEOsTCsbXBra1BjQ98i9XtDs5H5ZLPS2E5s&s=NUnYPYAInqPw0tjJ3LzUsUSG6q4sajo4VD0LMP1jEQ&e=](https://urldefense.proofpoint.com/v2/url?u=https-3A_anglerspy.com_&d=DwIGaQ&c=NpiPIT1KNSO0vXgGk6ogJQ&r=tEs4dC0c8-qnahgpfHCY2IIJ1QUssAle4FK88H3xxNU&m=CM-7MOqiEOsTCsbXBra1BjQ98i9XtDs5H5ZLPS2E5s&s=NUnYPYAInqPw0tjJ3LzUsUSG6q4sajo4VD0LMP1jEQ&e=) for water temp.

Shoreline Zoning Map @ [https://urldefense.proofpoint.com/v2/url?u=http-](https://urldefense.proofpoint.com/v2/url?u=http-3A_arcg.is_1sZArCj&d=DwIGaQ&c=NpiPIT1KNSO0vXgGk6ogJQ&r=tEs4dC0c8-qnahgpfHCY2IIJ1QUssAle4FK88H3xxNU&m=CM-7MOqiEOsTCsbXBra1BjQ98i9XtDs5H5ZLPS2E5s&s=B6Bm4I2-OtiHzil0H_L2kPyan71wmbgBCDJGs0Bh4Co&e=)

[3A_arcg.is_1sZArCj&d=DwIGaQ&c=NpiPIT1KNSO0vXgGk6ogJQ&r=tEs4dC0c8-qnahgpfHCY2IIJ1QUssAle4FK88H3xxNU&m=CM-7MOqiEOsTCsbXBra1BjQ98i9XtDs5H5ZLPS2E5s&s=B6Bm4I2-OtiHzil0H_L2kPyan71wmbgBCDJGs0Bh4Co&e=](https://urldefense.proofpoint.com/v2/url?u=http-3A_arcg.is_1sZArCj&d=DwIGaQ&c=NpiPIT1KNSO0vXgGk6ogJQ&r=tEs4dC0c8-qnahgpfHCY2IIJ1QUssAle4FK88H3xxNU&m=CM-7MOqiEOsTCsbXBra1BjQ98i9XtDs5H5ZLPS2E5s&s=B6Bm4I2-OtiHzil0H_L2kPyan71wmbgBCDJGs0Bh4Co&e=)

[https://urldefense.proofpoint.com/v2/url?u=http-](https://urldefense.proofpoint.com/v2/url?u=http-3A_www.swl.usace.army.mil_Missions_Planning_Table-2DRock-2DLake-2DShoreline-2DManagement-2DPlan_&d=DwIGaQ&c=NpiPIT1KNSO0vXgGk6ogJQ&r=tEs4dC0c8-qnahgpfHCY2IIJ1QUssAle4FK88H3xxNU&m=CM-7MOqiEOsTCsbXBra1BjQ98i9XtDs5H5ZLPS2E5s&s=32vI57lvTgkZM0ptQ5c3JJHYvt7KQ5eTruzr_VjYVms&e=)

[3A_www.swl.usace.army.mil_Missions_Planning_Table-2DRock-2DLake-2DShoreline-2DManagement-2DPlan_&d=DwIGaQ&c=NpiPIT1KNSO0vXgGk6ogJQ&r=tEs4dC0c8-qnahgpfHCY2IIJ1QUssAle4FK88H3xxNU&m=CM-7MOqiEOsTCsbXBra1BjQ98i9XtDs5H5ZLPS2E5s&s=32vI57lvTgkZM0ptQ5c3JJHYvt7KQ5eTruzr_VjYVms&e=](https://urldefense.proofpoint.com/v2/url?u=http-3A_www.swl.usace.army.mil_Missions_Planning_Table-2DRock-2DLake-2DShoreline-2DManagement-2DPlan_&d=DwIGaQ&c=NpiPIT1KNSO0vXgGk6ogJQ&r=tEs4dC0c8-qnahgpfHCY2IIJ1QUssAle4FK88H3xxNU&m=CM-7MOqiEOsTCsbXBra1BjQ98i9XtDs5H5ZLPS2E5s&s=32vI57lvTgkZM0ptQ5c3JJHYvt7KQ5eTruzr_VjYVms&e=)

Table Rock SMP Information @ [https://urldefense.proofpoint.com/v2/url?u=http-](https://urldefense.proofpoint.com/v2/url?u=http-3A_go.usa.gov_MG34&d=DwIGaQ&c=NpiPIT1KNSO0vXgGk6ogJQ&r=tEs4dC0c8-qnahgpfHCY2IIJ1QUssAle4FK88H3xxNU&m=CM-7MOqiEOsTCsbXBra1BjQ98i9XtDs5H5ZLPS2E5s&s=3h9dGAKiRGP-wthhRpKJ08Wv9-WXUixBa9daqbqdkY0&e=)

[3A_go.usa.gov_MG34&d=DwIGaQ&c=NpiPIT1KNSO0vXgGk6ogJQ&r=tEs4dC0c8-qnahgpfHCY2IIJ1QUssAle4FK88H3xxNU&m=CM-7MOqiEOsTCsbXBra1BjQ98i9XtDs5H5ZLPS2E5s&s=3h9dGAKiRGP-wthhRpKJ08Wv9-WXUixBa9daqbqdkY0&e=](https://urldefense.proofpoint.com/v2/url?u=http-3A_go.usa.gov_MG34&d=DwIGaQ&c=NpiPIT1KNSO0vXgGk6ogJQ&r=tEs4dC0c8-qnahgpfHCY2IIJ1QUssAle4FK88H3xxNU&m=CM-7MOqiEOsTCsbXBra1BjQ98i9XtDs5H5ZLPS2E5s&s=3h9dGAKiRGP-wthhRpKJ08Wv9-WXUixBa9daqbqdkY0&e=) .

Possible Flowage Easement

[https://urldefense.proofpoint.com/v2/url?u=http-](https://urldefense.proofpoint.com/v2/url?u=http-3A_www.swl.usace.army.mil_Missions_Recreation_Lakes_TableRockLake_ShorelineManagement.aspx&d=DwIGaQ&c=NpiPIT1KNSO0vXgGk6ogJQ&r=tEs4dC0c8-qnahgpfHCY2IIJ1QUssAle4FK88H3xxNU&m=CM-7MOqiEOsTCsbXBra1BjQ98i9XtDs5H5ZLPS2E5s&s=xgx-0uy8CdekODQromdlueZYEzCJ6q_gCdcgDqfJeJQ&e=)

[3A_www.swl.usace.army.mil_Missions_Recreation_Lakes_TableRockLake_ShorelineManagement.aspx&d=DwIGaQ&c=NpiPIT1KNSO0vXgGk6ogJQ&r=tEs4dC0c8-qnahgpfHCY2IIJ1QUssAle4FK88H3xxNU&m=CM-7MOqiEOsTCsbXBra1BjQ98i9XtDs5H5ZLPS2E5s&s=xgx-0uy8CdekODQromdlueZYEzCJ6q_gCdcgDqfJeJQ&e=](https://urldefense.proofpoint.com/v2/url?u=http-3A_www.swl.usace.army.mil_Missions_Recreation_Lakes_TableRockLake_ShorelineManagement.aspx&d=DwIGaQ&c=NpiPIT1KNSO0vXgGk6ogJQ&r=tEs4dC0c8-qnahgpfHCY2IIJ1QUssAle4FK88H3xxNU&m=CM-7MOqiEOsTCsbXBra1BjQ98i9XtDs5H5ZLPS2E5s&s=xgx-0uy8CdekODQromdlueZYEzCJ6q_gCdcgDqfJeJQ&e=)

-----Original Message-----

From: swl-admin@dma.mil [<mailto:swl-admin@dma.mil>]

Sent: Monday, August 28, 2017 7:34 PM

To: CESWL-TR-DutyRoom SWL <DutyRoom.TableRock@usace.army.mil>

Subject: [EXTERNAL] Little Rock District Contact Form: Future changes to Table

20170828_Malczynski_D

Rock Lake

This message was sent from the Little Rock District website.

Message From: Diane Malczynski

Email: jkcruizn@aol.com

Response requested: No

Message:

Rules and regulations are a necessity when dealing with a large number of people and a huge body of water, such as Table Rock. These regulations are already in place. Enforcing these rules and being consistent is a problem. Many retirees would gladly volunteer, if trained, to help gather information on the lake when some of these rules are being violated. Increasingly slip ownership is for the very wealthy, hence bigger boats and more damage to all docks and the shorelines. Removing buoys will cause the same problems and more accidents near docks. Docks are already inspected for electrical problems. Have volunteers inspect for you more often, if need be. Solar panels are not necessary, unless the electric co. will pay for them. Clearer markings on where corps property begins next to private property would eliminate many people from removing vegetation. If this rule is blatantly ignored, take fishing, boating etc. license away. No more rules.

HTTP_CMS_CLIENT_IP:
HTTP_X_ARR_LOG_ID: 151fff13-36d4-4ce6-af88-3999b772e779
HTTP_ORIGIN: Blockedhttp://www.swl.usace.army.mil
HTTP_TRUE_CLIENT_IP: 75.121.133.246

20170828_Malczynski_D

From: CESWL-Table Rock Shoreline Management Plan Update <CESWL-TableRockShorelineManagementPlanUpdate@usace.army.mil>
Sent: Tuesday, August 29, 2017 8:46 AM
To: Murphy, Gina L.
Subject: FW: [EXTERNAL] Table Rock Lake Shoreline Management Plan

-----Original Message-----

From: Jerry`Marler [<mailto:marlerm@cox.com>]
Sent: Monday, August 28, 2017 3:31 PM
To: CESWL-Table Rock Shoreline Management Plan Update <CESWL-TableRockShorelineManagementPlanUpdate@usace.army.mil>; savetablerock@gmail.com
Subject: [EXTERNAL] Table Rock Lake Shoreline Management Plan

TO: Corps of Engineers Decision Makers

FROM: Jerry Marler

RE: Table Rock Lake Shoreline Management Plan

Dear Corps of Engineers Decision Makers,

I am deeply concerned about the drastic changes that are being proposed in your draft Shoreline Management Plan for Table Rock Lake. The community has been very clear in thousands of public comments submitted that we are opposed to over-regulation. We've asked many times for NO CHANGE to be made to the Plan, but there are several items of major concern:

- I object to the carrying capacity as it limits the right to use the lake.
- I object to tighter restrictions placed upon vegetative management permits.
- I object to the new non-transferable grandfathered vegetative management permit rule.
- I object to financial hardships of removing electricity from the lake.
- I object to only one request every five years for dock modification.
- I object to the 8' depth requirement for any new docks.

I would ask that the Shoreline Management Plan NOT be changed. At the very least, please do not allow the changes noted above to go into effect. It would have a devastating economic impact and would be detrimental to the public's right to use and enjoy our lake.

The removal of the current electrical situation does not make sense, especially the extra cost is prohibitive! Golf carts are necessary for most people because of age and health. Not having your fishing tackle and necessary boat equipment in your locker makes no sense.

20170828_Marler_J-WA

Removal of buoys makes even less sense, safety around swim docks is paramount. Wave action hitting docks could be managed with buoys if boat speed and courtesy were better managed.

I am encouraged that the public's comments during the process have been acknowledged by the Corps. Thank you for listening. Please continue to help us protect our rights to use and enjoy our beautiful lake.

Sincerely,

Jerry Marler

From: CESWL-Table Rock Shoreline Management Plan Update <CESWL-TableRockShorelineManagementPlanUpdate@usace.army.mil>
Sent: Tuesday, August 29, 2017 8:51 AM
To: Murphy, Gina L.
Subject: FW: [EXTERNAL] Table Rock Lake Shoreline Management Plan

-----Original Message-----

From: Rhonda`Matthewz [<mailto:rhondasportsfan@yahoo.com>]
Sent: Monday, August 28, 2017 10:35 PM
To: CESWL-Table Rock Shoreline Management Plan Update <CESWL-TableRockShorelineManagementPlanUpdate@usace.army.mil>; savetablerock@gmail.com
Subject: [EXTERNAL] Table Rock Lake Shoreline Management Plan

TO: Corps of Engineers Decision Makers

FROM: Rhonda Matthewz

RE: Table Rock Lake Shoreline Management Plan

Dear Corps of Engineers Decision Makers,

I am deeply concerned about the drastic changes that are being proposed in your draft Shoreline Management Plan for Table Rock Lake. The community has been very clear in thousands of public comments submitted that we are opposed to over-regulation. We've asked many times for NO CHANGE to be made to the Plan, but there are several items of major concern:

- I object to the carrying capacity as it limits the right to use the lake.
- I object to tighter restrictions placed upon vegetative management permits.
- I object to the new non-transferable grandfathered vegetative management permit rule.
- I object to financial hardships of removing electricity from the lake.
- I object to only one request every five years for dock modification.
- I object to the 8' depth requirement for any new docks.

I would ask that the Shoreline Management Plan NOT be changed. At the very least, please do not allow the changes noted above to go into effect. It would have a devastating economic impact and would be detrimental to the public's right to use and enjoy our lake.

If it isn't broke, don't fix it!!! Please leave things as they are.

I am encouraged that the public's comments during the process have been acknowledged by the Corps. Thank you for listening. Please continue to help us protect our rights to use and enjoy our beautiful lake.

20170828_Matthewz_R-W

Sincerely,

Rhonda Matthewz

From: CESWL-Table Rock Shoreline Management Plan Update <CESWL-TableRockShorelineManagementPlanUpdate@usace.army.mil>
Sent: Tuesday, August 29, 2017 8:40 AM
To: Murphy, Gina L.
Subject: FW: [EXTERNAL] Table Rock Lake Shoreline Management Plan

-----Original Message-----

From: Michael`McGill [<mailto:mmcgill2003@aol.com>]
Sent: Monday, August 28, 2017 10:30 AM
To: CESWL-Table Rock Shoreline Management Plan Update <CESWL-TableRockShorelineManagementPlanUpdate@usace.army.mil>; savetablerock@gmail.com
Subject: [EXTERNAL] Table Rock Lake Shoreline Management Plan

TO: Corps of Engineers Decision Makers

FROM: Michael McGill

RE: Table Rock Lake Shoreline Management Plan

Dear Corps of Engineers Decision Makers,

I am deeply concerned about the drastic changes that are being proposed in your draft Shoreline Management Plan for Table Rock Lake. The community has been very clear in thousands of public comments submitted that we are opposed to over-regulation. We've asked many times for NO CHANGE to be made to the Plan, but there are several items of major concern:

- I object to the carrying capacity as it limits the right to use the lake.
- I object to tighter restrictions placed upon vegetative management permits.
- I object to the new non-transferable grandfathered vegetative management permit rule.
- I object to financial hardships of removing electricity from the lake.
- I object to only one request every five years for dock modification.
- I object to the 8' depth requirement for any new docks.

I would ask that the Shoreline Management Plan NOT be changed. At the very least, please do not allow the changes noted above to go into effect. It would have a devastating economic impact and would be detrimental to the public's right to use and enjoy our lake.

Table Rock Lake was built for public recreation and has provided that since 1958. The cooperation between the property owners and the Corps of Engineers have proven to be very good stewards of the lake and the environment for 60 years. Pretty good data points. Now why the drastic changes? Why aren't businesses required to comply?

20170828_McGill_M-WA

A few people believe in faulty science, at best, and coercion from people in high place at worst.
Thanks for allowing dissenting views.

I am encouraged that the public's comments during the process have been acknowledged by the Corps.
Thank you for listening. Please continue to help us protect our rights to use and enjoy our beautiful lake.

Sincerely,

Michael McGill

From: CESWL-Table Rock Shoreline Management Plan Update <CESWL-TableRockShorelineManagementPlanUpdate@usace.army.mil>
Sent: Tuesday, August 29, 2017 8:49 AM
To: Murphy, Gina L.
Subject: FW: [EXTERNAL] Table Rock Lake Shoreline Management Plan

-----Original Message-----

From: Randy `McGuar [<mailto:rdmcguar@provalue.net>]
Sent: Monday, August 28, 2017 8:56 PM
To: CESWL-Table Rock Shoreline Management Plan Update <CESWL-TableRockShorelineManagementPlanUpdate@usace.army.mil>; savetablerock@gmail.com
Subject: [EXTERNAL] Table Rock Lake Shoreline Management Plan

TO: Corps of Engineers Decision Makers

FROM: Randy McGuar

RE: Table Rock Lake Shoreline Management Plan

Dear Corps of Engineers Decision Makers,

I am deeply concerned about the drastic changes that are being proposed in your draft Shoreline Management Plan for Table Rock Lake. The community has been very clear in thousands of public comments submitted that we are opposed to over-regulation. We've asked many times for NO CHANGE to be made to the Plan, but there are several items of major concern:

- I object to the carrying capacity as it limits the right to use the lake.
- I object to tighter restrictions placed upon vegetative management permits.
- I object to the new non-transferable grandfathered vegetative management permit rule.
- I object to financial hardships of removing electricity from the lake.
- I object to only one request every five years for dock modification.
- I object to the 8' depth requirement for any new docks.

I would ask that the Shoreline Management Plan NOT be changed. At the very least, please do not allow the changes noted above to go into effect. It would have a devastating economic impact and would be detrimental to the public's right to use and enjoy our lake.

I am encouraged that the public's comments during the process have been acknowledged by the Corps. Thank you for listening. Please continue to help us protect our rights to use and enjoy our beautiful lake.

Sincerely,

20170828_McGuar_R-W

Randy McGuar

From: CESWL-Table Rock Shoreline Management Plan Update <CESWL-TableRockShorelineManagementPlanUpdate@usace.army.mil>
Sent: Tuesday, August 29, 2017 8:36 AM
To: Murphy, Gina L.
Subject: FW: [EXTERNAL] Table Rock Lake Shoreline Management Plan

-----Original Message-----

From: Sara`Mcguire [<mailto:sara.halley3@gmail.com>]
Sent: Monday, August 28, 2017 12:10 AM
To: CESWL-Table Rock Shoreline Management Plan Update <CESWL-TableRockShorelineManagementPlanUpdate@usace.army.mil>; savetablerock@gmail.com
Subject: [EXTERNAL] Table Rock Lake Shoreline Management Plan

TO: Corps of Engineers Decision Makers

FROM: Sara Mcguire

RE: Table Rock Lake Shoreline Management Plan

Dear Corps of Engineers Decision Makers,

I am deeply concerned about the drastic changes that are being proposed in your draft Shoreline Management Plan for Table Rock Lake. The community has been very clear in thousands of public comments submitted that we are opposed to over-regulation. We've asked many times for NO CHANGE to be made to the Plan, but there are several items of major concern:

- I object to the carrying capacity as it limits the right to use the lake.
- I object to tighter restrictions placed upon vegetative management permits.
- I object to the new non-transferable grandfathered vegetative management permit rule.
- I object to financial hardships of removing electricity from the lake.
- I object to only one request every five years for dock modification.
- I object to the 8' depth requirement for any new docks.

I would ask that the Shoreline Management Plan NOT be changed. At the very least, please do not allow the changes noted above to go into effect. It would have a devastating economic impact and would be detrimental to the public's right to use and enjoy our lake.

I am encouraged that the public's comments during the process have been acknowledged by the Corps. Thank you for listening. Please continue to help us protect our rights to use and enjoy our beautiful lake.

Sincerely,

20170828_McGuire_S-W

Sara Mcguire

From: CESWL-Table Rock Shoreline Management Plan Update <CESWL-TableRockShorelineManagementPlanUpdate@usace.army.mil>
Sent: Tuesday, August 29, 2017 8:47 AM
To: Murphy, Gina L.
Subject: FW: [EXTERNAL] Table Rock Lake Shoreline Management Plan

-----Original Message-----

From: Denise McIntosh [<mailto:denisemc70@gmail.com>]
Sent: Monday, August 28, 2017 4:02 PM
To: CESWL-Table Rock Shoreline Management Plan Update <CESWL-TableRockShorelineManagementPlanUpdate@usace.army.mil>; savetablerock@gmail.com
Subject: [EXTERNAL] Table Rock Lake Shoreline Management Plan

TO: Corps of Engineers Decision Makers

FROM: Denise McIntosh

RE: Table Rock Lake Shoreline Management Plan

Dear Corps of Engineers Decision Makers,

I am deeply concerned about the drastic changes that are being proposed in your draft Shoreline Management Plan for Table Rock Lake. The community has been very clear in thousands of public comments submitted that we are opposed to over-regulation. We've asked many times for NO CHANGE to be made to the Plan, but there are several items of major concern:

- I object to the carrying capacity as it limits the right to use the lake.
- I object to tighter restrictions placed upon vegetative management permits.
- I object to the new non-transferable grandfathered vegetative management permit rule.
- I object to financial hardships of removing electricity from the lake.
- I object to only one request every five years for dock modification.
- I object to the 8' depth requirement for any new docks.

I would ask that the Shoreline Management Plan NOT be changed. At the very least, please do not allow the changes noted above to go into effect. It would have a devastating economic impact and would be detrimental to the public's right to use and enjoy our lake.

I object to the removal of no wake buoys, for the safety of swimmers around docks.

I am encouraged that the public's comments during the process have been acknowledged by the Corps. Thank you for listening. Please continue to help us protect our rights to use and enjoy our beautiful lake.

20170828_McIntosh_D-WA

Sincerely,

Denise McIntosh

From: CESWL-Table Rock Shoreline Management Plan Update <CESWL-TableRockShorelineManagementPlanUpdate@usace.army.mil>
Sent: Tuesday, August 29, 2017 8:41 AM
To: Murphy, Gina L.
Subject: FW: [EXTERNAL] Table Rock Lake Shoreline Management Plan

-----Original Message-----

From: William`Meister [<mailto:wfm3393@gmail.com>]
Sent: Monday, August 28, 2017 11:16 AM
To: CESWL-Table Rock Shoreline Management Plan Update <CESWL-TableRockShorelineManagementPlanUpdate@usace.army.mil>; savetablerock@gmail.com
Subject: [EXTERNAL] Table Rock Lake Shoreline Management Plan

TO: Corps of Engineers Decision Makers

FROM: William Meister

RE: Table Rock Lake Shoreline Management Plan

Dear Corps of Engineers Decision Makers,

I am deeply concerned about the drastic changes that are being proposed in your draft Shoreline Management Plan for Table Rock Lake. The community has been very clear in thousands of public comments submitted that we are opposed to over-regulation. We've asked many times for NO CHANGE to be made to the Plan, but there are several items of major concern:

- I object to the carrying capacity as it limits the right to use the lake.
- I object to tighter restrictions placed upon vegetative management permits.
- I object to the new non-transferable grandfathered vegetative management permit rule.
- I object to financial hardships of removing electricity from the lake.
- I object to only one request every five years for dock modification.
- I object to the 8' depth requirement for any new docks.

I would ask that the Shoreline Management Plan NOT be changed. At the very least, please do not allow the changes noted above to go into effect. It would have a devastating economic impact and would be detrimental to the public's right to use and enjoy our lake.

I am against the Army Corps of Engineers requiring solar power on docks. It is costly to be maintained and costly to replace batteries in a few years. The marinas will not be required to put in solar and they use allot more electricity with the private docks. I am not in favor of removing the no wake and the no ski buoys.

20170828_Meister_W-WA

I am in favor of removing all terrain vehicles with the large knobby tires. Golf carts with regular tires are fine. They do not tear up the paths as the other tires would.

Thank you, Wm Meister

I am encouraged that the public's comments during the process have been acknowledged by the Corps. Thank you for listening. Please continue to help us protect our rights to use and enjoy our beautiful lake.

Sincerely,

William Meister

From: CESWL-Table Rock Shoreline Management Plan Update <CESWL-TableRockShorelineManagementPlanUpdate@usace.army.mil>
Sent: Tuesday, August 29, 2017 8:49 AM
To: Murphy, Gina L.
Subject: FW: [EXTERNAL] shoreline management

-----Original Message-----

From: Robin Minder [<mailto:minderandco@yahoo.com>]
Sent: Monday, August 28, 2017 9:02 PM
To: CESWL-Table Rock Shoreline Management Plan Update <CESWL-TableRockShorelineManagementPlanUpdate@usace.army.mil>
Subject: [EXTERNAL] shoreline management

Hi, we own properties at 372 Tina St and 408 Tina St in Hollister. We are in a cove across from State Park Marina along with many homes that have been using and enjoying the lake shoreline of years. We would just like to be able to get our permit to mow the corp property behind our lots. We feel that this will benefit not just us, but the corp property. We have noticed a decrease in our vegetation because of the leaves falling off our trees and accumulating and killing the grass and vegetation beneath. We have called multiple times to find out when we can purchase our mowing permits, but keep being told not yet.

We would just like to be able to take care of the property that we and so many enjoy.

Blessings,
Robin Minder
816-365-4263

20170828_Minder_R

From: CESWL-Table Rock Shoreline Management Plan Update <CESWL-TableRockShorelineManagementPlanUpdate@usace.army.mil>
Sent: Tuesday, August 29, 2017 8:47 AM
To: Murphy, Gina L.
Subject: FW: [EXTERNAL] Table Rock Lake Shoreline Management Plan

-----Original Message-----

From: John`Morrow [<mailto:jackmorrow64@gmail.com>]
Sent: Monday, August 28, 2017 4:17 PM
To: CESWL-Table Rock Shoreline Management Plan Update <CESWL-TableRockShorelineManagementPlanUpdate@usace.army.mil>; savetablerock@gmail.com
Subject: [EXTERNAL] Table Rock Lake Shoreline Management Plan

TO: Corps of Engineers Decision Makers

FROM: John Morrow

RE: Table Rock Lake Shoreline Management Plan

Dear Corps of Engineers Decision Makers,

I am deeply concerned about the drastic changes that are being proposed in your draft Shoreline Management Plan for Table Rock Lake. The community has been very clear in thousands of public comments submitted that we are opposed to over-regulation. We've asked many times for NO CHANGE to be made to the Plan, but there are several items of major concern:

- I object to the carrying capacity as it limits the right to use the lake.
- I object to tighter restrictions placed upon vegetative management permits.
- I object to the new non-transferable grandfathered vegetative management permit rule.
- I object to financial hardships of removing electricity from the lake.
- I object to only one request every five years for dock modification.
- I object to the 8' depth requirement for any new docks.

I would ask that the Shoreline Management Plan NOT be changed. At the very least, please do not allow the changes noted above to go into effect. It would have a devastating economic impact and would be detrimental to the public's right to use and enjoy our lake.

I am encouraged that the public's comments during the process have been acknowledged by the Corps. Thank you for listening. Please continue to help us protect our rights to use and enjoy our beautiful lake.

Sincerely,

20170828_Morrow_J-W

John Morrow

From: CESWL-Table Rock Shoreline Management Plan Update <CESWL-TableRockShorelineManagementPlanUpdate@usace.army.mil>
Sent: Tuesday, August 29, 2017 8:45 AM
To: Murphy, Gina L.
Subject: FW: [EXTERNAL] Table Rock Lake Shoreline Management Plan

-----Original Message-----

From: Brenda Kay`Myers [<mailto:bkm12858@gmail.com>]
Sent: Monday, August 28, 2017 1:47 PM
To: CESWL-Table Rock Shoreline Management Plan Update <CESWL-TableRockShorelineManagementPlanUpdate@usace.army.mil>; savetablerock@gmail.com
Subject: [EXTERNAL] Table Rock Lake Shoreline Management Plan

TO: Corps of Engineers Decision Makers

FROM: Brenda Kay Myers

RE: Table Rock Lake Shoreline Management Plan

Dear Corps of Engineers Decision Makers,

I am deeply concerned about the drastic changes that are being proposed in your draft Shoreline Management Plan for Table Rock Lake. The community has been very clear in thousands of public comments submitted that we are opposed to over-regulation. We've asked many times for NO CHANGE to be made to the Plan, but there are several items of major concern:

- I object to the carrying capacity as it limits the right to use the lake.
- I object to tighter restrictions placed upon vegetative management permits.
- I object to the new non-transferable grandfathered vegetative management permit rule.
- I object to financial hardships of removing electricity from the lake.
- I object to only one request every five years for dock modification.
- I object to the 8' depth requirement for any new docks.

I would ask that the Shoreline Management Plan NOT be changed. At the very least, please do not allow the changes noted above to go into effect. It would have a devastating economic impact and would be detrimental to the public's right to use and enjoy our lake.

I am encouraged that the public's comments during the process have been acknowledged by the Corps. Thank you for listening. Please continue to help us protect our rights to use and enjoy our beautiful lake.

Sincerely,

20170828_Myers_B-W

Brenda Kay Myers

August 28, 2017

To the Corps of Engineers

P O Box 867 Little Rock, AR 72203

CC: Rep. Scott Fitzpatrick

We are really concerned that some of the changes you are wanting to make will drive people to other lakes.

Table Rock is a Beautiful Lake – it took Wonderful Farm Land and towns, Cemeteries had to be moved, people had to move that had lived on the Land for generations ---- But it was done !!

A Beautiful Lake was created with many new Business, and huge growth through the different Counties --- Big 'Bucks' came in to all this area. Beautiful Homes were built and people put their lives back together. Even the little town of Branson became huge and all because of the Lake.

But now you want to **PENTILZE** the very kind of people that has made this Lake Great !!

It is we the 'individuals' that are going to be hurt. You have done this over and over. The Resorts and Marinas can pretty much do what they want it seems.

If you really carried about this lake you would **encourage** the shore/corps owners to burn the debris. This would help keep down the Snakes, Plus when you burn, Wonderful Wild Flowers come up for ALL to enjoy from the Lake. Sure some owners like the wooded area as a buffer, but others would be happy to make the Shore Line Beautiful !!

Yes, there Should be some Controls – No weed killers, No Cutting the native trees, or large trees if they are not hurting the Dock areas. Do it as the person has time and weather permits – not only the months you are saying. Winter is best and safest for the most part. So, if you need to take a small piece of Equipment what does that really hurt.

We live at the mouth of a Cove and Boats come flying into it, even if there are swimmers around the docks. Yes, there has been a 'No Wake Buoy' but many pay NO attention to it, but some do slow down. If it has to be on the Docks NO ONE will even see it. Where would you put it, sure can't be out on the Swim Deck, it would have to be on a wall too far back to be noticed.

If you feel Solar energy is the way to go – then make that for NEW Docks. The current Docks are not built for or designed for it, there is no way this will work. It may cause people to move away from the Lakes.

Doing modification to a dock should be done when it needs to be. We ask about adding 6 feet to our Swim deck, to the end of the dock, which would be a simple thing – But no, you make it not worth the investment. You would require an architect designed plan, we could draw one for a lot less ourselves. Our Swim deck is now 12', but NO if we modify then it has to go back to 10' – now just think what all that would cost to change all the metal frame work already there. Totally unreasonable.

What are Lockers or Locks boxes for in not to store things. We have our Chairs mounted to the wood, they will not blow in the Lake. We don't leave things out to blow away and then be gone.

So are you saying now that Boat houses, Pontoon Boats and Cabin Boats are NOT Welcome on Table Rock Lake because they have a porta pottie – Well that is Crazy. What about the Gasoline and oil that gets in the Lake from the boats?

We are required to have a Parking Space to Park our Vehicles, Golf Carts, Mules, and PAY a Permit Fee every 5 years. Where do you want us to Park?? We have a hill going down to ours, parking alone sides the narrow road would be impactable.

I do agree that we don't want the Huge Boats and Certain types of Boats on the lake, it is too small. This is a Fishing Lake and Family Lake.

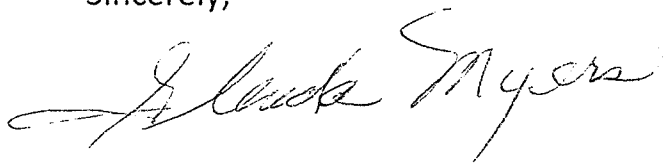
We Love living on Table Rock Lake. On Kings River Arm, we love the Beauty and the Sunsets/ Sunrises and the Joy of Living here –

What you should be more concerned with is all the Septic Tanks that are leaching into the Lake. I even ask one time if there was someone that went around the shore line looking for trouble spots. I was told No, they didn't have the man power for that. I then ask 'would you like to be called when one see's it running down to the Lake' and again I was told Defiantly Not – you didn't have time for that. Yes, if a Property is Sold and if it goes through a Realtor or Bank it will have a Septic inspection of sort, but not with a Cash Sell, or the many that have lived here for years.

Another thing I have learned while living here is, what you are told by one Corps person can sure be different when you talk with another Corps person.

I have had good corporation when asking any questions, I may have where the Permitting is concerned, which I appreciate. Also, when we have had trees die from the flooding's in the past, that could fall on the Dock we were allowed to take out. I know you have a lot to content with but I feel you really need to re look at what is best for everyone.

Sincerely,

A handwritten signature in cursive script that reads "Glenda Myers". The signature is written in black ink and is positioned below the word "Sincerely,".

Glenda Myers

27069 White Tail Rd Shell Knob, Mo 65747

From: CESWL-Table Rock Shoreline Management Plan Update <CESWL-TableRockShorelineManagementPlanUpdate@usace.army.mil>
Sent: Tuesday, August 29, 2017 8:45 AM
To: Murphy, Gina L.
Subject: FW: [EXTERNAL] Table Rock Lake Shoreline Management Plan

-----Original Message-----

From: Nick`Myers [<mailto:myersdirtworks@gmail.com>]
Sent: Monday, August 28, 2017 2:25 PM
To: CESWL-Table Rock Shoreline Management Plan Update <CESWL-TableRockShorelineManagementPlanUpdate@usace.army.mil>; savetablerock@gmail.com
Subject: [EXTERNAL] Table Rock Lake Shoreline Management Plan

TO: Corps of Engineers Decision Makers

FROM: Nick Myers

RE: Table Rock Lake Shoreline Management Plan

Dear Corps of Engineers Decision Makers,

I am deeply concerned about the drastic changes that are being proposed in your draft Shoreline Management Plan for Table Rock Lake. The community has been very clear in thousands of public comments submitted that we are opposed to over-regulation. We've asked many times for NO CHANGE to be made to the Plan, but there are several items of major concern:

- I object to the carrying capacity as it limits the right to use the lake.
- I object to tighter restrictions placed upon vegetative management permits.
- I object to the new non-transferable grandfathered vegetative management permit rule.
- I object to financial hardships of removing electricity from the lake.
- I object to only one request every five years for dock modification.
- I object to the 8' depth requirement for any new docks.

I would ask that the Shoreline Management Plan NOT be changed. At the very least, please do not allow the changes noted above to go into effect. It would have a devastating economic impact and would be detrimental to the public's right to use and enjoy our lake.

I am encouraged that the public's comments during the process have been acknowledged by the Corps. Thank you for listening. Please continue to help us protect our rights to use and enjoy our beautiful lake.

Sincerely,

20170828_Myers_N-W

Nick Myers

From: CESWL-Table Rock Shoreline Management Plan Update <CESWL-TableRockShorelineManagementPlanUpdate@usace.army.mil>
Sent: Tuesday, August 29, 2017 8:43 AM
To: Murphy, Gina L.
Subject: FW: [EXTERNAL] Little Rock District Contact Form: Table Rock Shoreline Management Plan

-----Original Message-----

From: Coburn, Dana O CIV USARMY CESWL (US)
Sent: Monday, August 28, 2017 12:16 PM
To: CESWL-Table Rock Shoreline Management Plan Update
<CESWL-TableRockShorelineManagementPlanUpdate@usace.army.mil>
Subject: FW: [EXTERNAL] Little Rock District Contact Form: Table Rock Shoreline Management Plan

-----Original Message-----

From: CESWL-TR-DutyRoom SWL
Sent: Monday, August 28, 2017 11:10 AM
To: Coburn, Dana O CIV USARMY CESWL (US) <Dana.O.Coburn@usace.army.mil>
Subject: FW: [EXTERNAL] Little Rock District Contact Form: Table Rock Shoreline Management Plan

Dana,

Please note comments below.

V/R

Malcolm Fortson
Park Ranger
US Army Corps of Engineers
Table Rock Project Office
4600 State Highway 165
Branson, Missouri 65616
(501) 340-1935 (DUTY ROOM OFFICE)
DutyRoom.TableRock@usace.army.mil
(417) 334-4169 FAX
malcolm.w.fortson@usace.army.mil
<http://www.swl.usace.army.mil/Missions/Recreation/Lakes/TableRockLake.aspx>
<https://anglerspy.com/> for water temp.
Shoreline Zoning Map @ <http://arcg.is/1sZArCj>
<http://www.swl.usace.army.mil/Missions/Planning/Table-Rock-Lake-Shoreline-Management-Plan/>
Table Rock SMP Information @ <http://go.usa.gov/MG34>.

20170828_Nadnery_T

Possible Flowage Easement

<http://www.swl.usace.army.mil/Missions/Recreation/Lakes/TableRockLake/ShorelineManagement.aspx>

-----Original Message-----

From: swl-admin@dma.mil [<mailto:swl-admin@dma.mil>]

Sent: Monday, August 28, 2017 9:14 AM

To: CESWL-TR-DutyRoom SWL <DutyRoom.TableRock@usace.army.mil>

Subject: [EXTERNAL] Little Rock District Contact Form: Table Rock Shoreline Management Plan

This message was sent from the Little Rock District website.

Message From: Todd Nadherny

Email: Tablerockers@gmail.com

Response requested: No

Message:

I am writing regarding the proposed change to the alternate power source (solar) on private and community boat docks. I do not think existing private and community docks should be forced to change to solar power. I think those docks should continue to be allowed to use the current electrical systems that are in place. Making those existing dock owners convert to solar is unnecessary and is forcing those existing dock owners to incur an unnecessary expense.

HTTP_CMS_CLIENT_IP:

HTTP_X_ARR_LOG_ID: 9bce62a7-ee6b-402b-861c-df671f66158f

HTTP_ORIGIN: Blockedhttp://www.swl.usace.army.mil

HTTP_TRUE_CLIENT_IP: 173.17.200.202

20170828_Nadherny_T

From: CESWL-Table Rock Shoreline Management Plan Update <CESWL-TableRockShorelineManagementPlanUpdate@usace.army.mil>
Sent: Tuesday, August 29, 2017 8:38 AM
To: Murphy, Gina L.
Subject: FW: [EXTERNAL] Table Rock Lake Shoreline Management Plan

-----Original Message-----

From: Roger`Nelson [<mailto:roger@nelsoninc.com>]
Sent: Monday, August 28, 2017 8:47 AM
To: CESWL-Table Rock Shoreline Management Plan Update <CESWL-TableRockShorelineManagementPlanUpdate@usace.army.mil>; savetablerock@gmail.com
Subject: [EXTERNAL] Table Rock Lake Shoreline Management Plan

TO: Corps of Engineers Decision Makers

FROM: Roger Nelson

RE: Table Rock Lake Shoreline Management Plan

Dear Corps of Engineers Decision Makers,

I am deeply concerned about the drastic changes that are being proposed in your draft Shoreline Management Plan for Table Rock Lake. The community has been very clear in thousands of public comments submitted that we are opposed to over-regulation. We've asked many times for NO CHANGE to be made to the Plan, but there are several items of major concern:

- I object to the carrying capacity as it limits the right to use the lake.
- I object to tighter restrictions placed upon vegetative management permits.
- I object to the new non-transferable grandfathered vegetative management permit rule.
- I object to financial hardships of removing electricity from the lake.
- I object to only one request every five years for dock modification.
- I object to the 8' depth requirement for any new docks.

I would ask that the Shoreline Management Plan NOT be changed. At the very least, please do not allow the changes noted above to go into effect. It would have a devastating economic impact and would be detrimental to the public's right to use and enjoy our lake.

I am encouraged that the public's comments during the process have been acknowledged by the Corps. Thank you for listening. Please continue to help us protect our rights to use and enjoy our beautiful lake.

Sincerely,

20170828_Nelson_R-W

Roger Nelson

From: CESWL-Table Rock Shoreline Management Plan Update <CESWL-TableRockShorelineManagementPlanUpdate@usace.army.mil>
Sent: Tuesday, August 29, 2017 8:38 AM
To: Murphy, Gina L.
Subject: FW: [EXTERNAL] Table Rock Lake Shoreline Management Plan

-----Original Message-----

From: Verna`Nelson [<mailto:verna@nelsoninc.com>]
Sent: Monday, August 28, 2017 8:48 AM
To: CESWL-Table Rock Shoreline Management Plan Update <CESWL-TableRockShorelineManagementPlanUpdate@usace.army.mil>; savetablerock@gmail.com
Subject: [EXTERNAL] Table Rock Lake Shoreline Management Plan

TO: Corps of Engineers Decision Makers

FROM: Verna Nelson

RE: Table Rock Lake Shoreline Management Plan

Dear Corps of Engineers Decision Makers,

I am deeply concerned about the drastic changes that are being proposed in your draft Shoreline Management Plan for Table Rock Lake. The community has been very clear in thousands of public comments submitted that we are opposed to over-regulation. We've asked many times for NO CHANGE to be made to the Plan, but there are several items of major concern:

- I object to the carrying capacity as it limits the right to use the lake.
- I object to tighter restrictions placed upon vegetative management permits.
- I object to the new non-transferable grandfathered vegetative management permit rule.
- I object to financial hardships of removing electricity from the lake.
- I object to only one request every five years for dock modification.
- I object to the 8' depth requirement for any new docks.

I would ask that the Shoreline Management Plan NOT be changed. At the very least, please do not allow the changes noted above to go into effect. It would have a devastating economic impact and would be detrimental to the public's right to use and enjoy our lake.

I am encouraged that the public's comments during the process have been acknowledged by the Corps. Thank you for listening. Please continue to help us protect our rights to use and enjoy our beautiful lake.

Sincerely,

20170828_Nelson_V-W

Verna Nelson

From: CESWL-Table Rock Shoreline Management Plan Update <CESWL-TableRockShorelineManagementPlanUpdate@usace.army.mil>
Sent: Tuesday, August 29, 2017 8:48 AM
To: Murphy, Gina L.
Subject: FW: [EXTERNAL] Table Rock Lake Shoreline Management Plan

-----Original Message-----

From: Tom`Patterson [<mailto:patt678@yahoo.com>]
Sent: Monday, August 28, 2017 4:46 PM
To: CESWL-Table Rock Shoreline Management Plan Update <CESWL-TableRockShorelineManagementPlanUpdate@usace.army.mil>; savetablerock@gmail.com
Subject: [EXTERNAL] Table Rock Lake Shoreline Management Plan

TO: Corps of Engineers Decision Makers

FROM: Tom Patterson

RE: Table Rock Lake Shoreline Management Plan

Dear Corps of Engineers Decision Makers,

I am deeply concerned about the drastic changes that are being proposed in your draft Shoreline Management Plan for Table Rock Lake. The community has been very clear in thousands of public comments submitted that we are opposed to over-regulation. We've asked many times for NO CHANGE to be made to the Plan, but there are several items of major concern:

- I object to the carrying capacity as it limits the right to use the lake.
- I object to tighter restrictions placed upon vegetative management permits.
- I object to the new non-transferable grandfathered vegetative management permit rule.
- I object to financial hardships of removing electricity from the lake.
- I object to only one request every five years for dock modification.
- I object to the 8' depth requirement for any new docks.

I would ask that the Shoreline Management Plan NOT be changed. At the very least, please do not allow the changes noted above to go into effect. It would have a devastating economic impact and would be detrimental to the public's right to use and enjoy our lake.

If I'm correct one change would be no holding tanks on private community boat docks. We have a houseboat and are very careful to pump out and follow rules regarding these tanks. We want our lake to stay clean. These new regulations will be forcing many people off the lake. Please do not over regulate Table Rock. It will hurt the area's economy.

20170828_Patterson_T-WA

I am encouraged that the public's comments during the process have been acknowledged by the Corps. Thank you for listening. Please continue to help us protect our rights to use and enjoy our beautiful lake.

Sincerely,

Tom Patterson

From: CESWL-Table Rock Shoreline Management Plan Update <CESWL-TableRockShorelineManagementPlanUpdate@usace.army.mil>
Sent: Tuesday, August 29, 2017 8:37 AM
To: Murphy, Gina L.
Subject: FW: [EXTERNAL] Table Rock Lake Shoreline Management Plan

-----Original Message-----

From: Stuart `Paulson [<mailto:stuart.paulson@att.net>]
Sent: Monday, August 28, 2017 5:08 AM
To: CESWL-Table Rock Shoreline Management Plan Update <CESWL-TableRockShorelineManagementPlanUpdate@usace.army.mil>; savetablerock@gmail.com
Subject: [EXTERNAL] Table Rock Lake Shoreline Management Plan

TO: Corps of Engineers Decision Makers

FROM: Stuart Paulson

RE: Table Rock Lake Shoreline Management Plan

Dear Corps of Engineers Decision Makers,

I am deeply concerned about the drastic changes that are being proposed in your draft Shoreline Management Plan for Table Rock Lake. The community has been very clear in thousands of public comments submitted that we are opposed to over-regulation. We've asked many times for NO CHANGE to be made to the Plan, but there are several items of major concern:

- I object to the carrying capacity as it limits the right to use the lake.
- I object to tighter restrictions placed upon vegetative management permits.
- I object to the new non-transferable grandfathered vegetative management permit rule.
- I object to financial hardships of removing electricity from the lake.
- I object to only one request every five years for dock modification.
- I object to the 8' depth requirement for any new docks.

I would ask that the Shoreline Management Plan NOT be changed. At the very least, please do not allow the changes noted above to go into effect. It would have a devastating economic impact and would be detrimental to the public's right to use and enjoy our lake.

I am encouraged that the public's comments during the process have been acknowledged by the Corps. Thank you for listening. Please continue to help us protect our rights to use and enjoy our beautiful lake.

Sincerely,

20170828_Paulson_S-W

Stuart Paulson

From: CESWL-Table Rock Shoreline Management Plan Update <CESWL-TableRockShorelineManagementPlanUpdate@usace.army.mil>
Sent: Tuesday, August 29, 2017 8:44 AM
To: Murphy, Gina L.
Subject: FW: [EXTERNAL] Table Rock Lake Shoreline Management Plan

-----Original Message-----

From: Carol Pierce [<mailto:bassmann69@hotmail.com>]
Sent: Monday, August 28, 2017 12:56 PM
To: CESWL-Table Rock Shoreline Management Plan Update <CESWL-TableRockShorelineManagementPlanUpdate@usace.army.mil>; savetablerock@gmail.com
Subject: [EXTERNAL] Table Rock Lake Shoreline Management Plan

TO: Corps of Engineers Decision Makers

FROM: Carol Pierce

RE: Table Rock Lake Shoreline Management Plan

Dear Corps of Engineers Decision Makers,

I am deeply concerned about the drastic changes that are being proposed in your draft Shoreline Management Plan for Table Rock Lake. The community has been very clear in thousands of public comments submitted that we are opposed to over-regulation. We've asked many times for NO CHANGE to be made to the Plan, but there are several items of major concern:

- I object to the carrying capacity as it limits the right to use the lake.
- I object to tighter restrictions placed upon vegetative management permits.
- I object to the new non-transferable grandfathered vegetative management permit rule.
- I object to financial hardships of removing electricity from the lake.
- I object to only one request every five years for dock modification.
- I object to the 8' depth requirement for any new docks.

I would ask that the Shoreline Management Plan NOT be changed. At the very least, please do not allow the changes noted above to go into effect. It would have a devastating economic impact and would be detrimental to the public's right to use and enjoy our lake.

I object to the new vegetative management rule. Some peoples homes are within 5 feet of the corp line. So you want them not to be able to cut the grass in front of their homes. Most of these homes are close to the take lines because the corp changed the take lines after the lake was filled. If the land there is very flat that will be like a prairie of 3 foot tall grass in front of their homes. And on the no wake

20170828_Pierce_C-WA

buoys!!!! Those are for safety. You have so much boat traffic and now these new ski boats that put out 5 ft waves or better it is a safety issue to have no wake buoys. We have had to get off the dock because of the horrid rocking because of these new boats. Without a buoy they will come even closer, causing damage to docks and dangerous for children walking on the docks. Two years ago we had a jet ski almost hit our son while swimming off our dock. My son was 10 feet from our private dock. 6 years before that my parents who were elderly were almost hit by another jet ski that was way too close to the docks. We finally put out a buoy for safety. It has really helped. You don't have enough water patrol to enforce anything. Why should people be restricted from having chairs or tables that are secured on their own docks. This is really getting carried away. I have seen docks on this lake that should be made to be replaced or removed and they still get permits renewed??? Instead you are worried about chairs and tables. Really. And if I have a canoe and it's tied in the ceiling of my dock securely,,,,, what's the problem?? You need to concentrate on better flood control after killing all the trees the last 8 years and leave us tax paying people alone. I

I am encouraged that the public's comments during the process have been acknowledged by the Corps. Thank you for listening. Please continue to help us protect our rights to use and enjoy our beautiful lake.

Sincerely,

Carol Pierce

From: CESWL-Table Rock Shoreline Management Plan Update <CESWL-TableRockShorelineManagementPlanUpdate@usace.army.mil>
Sent: Tuesday, August 29, 2017 8:37 AM
To: Murphy, Gina L.
Subject: FW: [EXTERNAL] Table Rock Lake Shoreline Management Plan

-----Original Message-----

From: Jeremy`Price [<mailto:jprice915@gmail.com>]
Sent: Monday, August 28, 2017 7:59 AM
To: CESWL-Table Rock Shoreline Management Plan Update <CESWL-TableRockShorelineManagementPlanUpdate@usace.army.mil>; savetablerock@gmail.com
Subject: [EXTERNAL] Table Rock Lake Shoreline Management Plan

TO: Corps of Engineers Decision Makers

FROM: Jeremy Price

RE: Table Rock Lake Shoreline Management Plan

Dear Corps of Engineers Decision Makers,

I am deeply concerned about the drastic changes that are being proposed in your draft Shoreline Management Plan for Table Rock Lake. The community has been very clear in thousands of public comments submitted that we are opposed to over-regulation. We've asked many times for NO CHANGE to be made to the Plan, but there are several items of major concern:

- I object to the carrying capacity as it limits the right to use the lake.
- I object to tighter restrictions placed upon vegetative management permits.
- I object to the new non-transferable grandfathered vegetative management permit rule.
- I object to financial hardships of removing electricity from the lake.
- I object to only one request every five years for dock modification.
- I object to the 8' depth requirement for any new docks.

I would ask that the Shoreline Management Plan NOT be changed. At the very least, please do not allow the changes noted above to go into effect. It would have a devastating economic impact and would be detrimental to the public's right to use and enjoy our lake.

I am encouraged that the public's comments during the process have been acknowledged by the Corps. Thank you for listening. Please continue to help us protect our rights to use and enjoy our beautiful lake.

Sincerely,

20170828_Price_J-W

Jeremy Price

From: CESWL-Table Rock Shoreline Management Plan Update <CESWL-TableRockShorelineManagementPlanUpdate@usace.army.mil>
Sent: Tuesday, August 29, 2017 8:37 AM
To: Murphy, Gina L.
Subject: FW: [EXTERNAL] Table Rock Lake Shoreline Management Plan

-----Original Message-----

From: Paul`Richard [<mailto:prichardkw@gmail.com>]
Sent: Monday, August 28, 2017 8:18 AM
To: CESWL-Table Rock Shoreline Management Plan Update <CESWL-TableRockShorelineManagementPlanUpdate@usace.army.mil>; savetablerock@gmail.com
Subject: [EXTERNAL] Table Rock Lake Shoreline Management Plan

TO: Corps of Engineers Decision Makers

FROM: Paul Richard

RE: Table Rock Lake Shoreline Management Plan

Dear Corps of Engineers Decision Makers,

I am deeply concerned about the drastic changes that are being proposed in your draft Shoreline Management Plan for Table Rock Lake. The community has been very clear in thousands of public comments submitted that we are opposed to over-regulation. We've asked many times for NO CHANGE to be made to the Plan, but there are several items of major concern:

- I object to the carrying capacity as it limits the right to use the lake.
- I object to tighter restrictions placed upon vegetative management permits.
- I object to the new non-transferable grandfathered vegetative management permit rule.
- I object to financial hardships of removing electricity from the lake.
- I object to only one request every five years for dock modification.
- I object to the 8' depth requirement for any new docks.

I would ask that the Shoreline Management Plan NOT be changed. At the very least, please do not allow the changes noted above to go into effect. It would have a devastating economic impact and would be detrimental to the public's right to use and enjoy our lake.

I am encouraged that the public's comments during the process have been acknowledged by the Corps. Thank you for listening. Please continue to help us protect our rights to use and enjoy our beautiful lake.

Sincerely,

20170828_Richard_P-W

Paul Richard

From: CESWL-Table Rock Shoreline Management Plan Update <CESWL-TableRockShorelineManagementPlanUpdate@usace.army.mil>
Sent: Tuesday, August 29, 2017 8:49 AM
To: Murphy, Gina L.
Subject: FW: [EXTERNAL] Table Rock Lake Shoreline Management Plan

-----Original Message-----

From: Bob Richey [<mailto:brichey49@gmail.com>]
Sent: Monday, August 28, 2017 6:38 PM
To: CESWL-Table Rock Shoreline Management Plan Update <CESWL-TableRockShorelineManagementPlanUpdate@usace.army.mil>; savetablerock@gmail.com
Subject: [EXTERNAL] Table Rock Lake Shoreline Management Plan

TO: Corps of Engineers Decision Makers

FROM: Bob Richey

RE: Table Rock Lake Shoreline Management Plan

Dear Corps of Engineers Decision Makers,

I am deeply concerned about the drastic changes that are being proposed in your draft Shoreline Management Plan for Table Rock Lake. The community has been very clear in thousands of public comments submitted that we are opposed to over-regulation. We've asked many times for NO CHANGE to be made to the Plan, but there are several items of major concern:

- I object to the carrying capacity as it limits the right to use the lake.
- I object to tighter restrictions placed upon vegetative management permits.
- I object to the new non-transferable grandfathered vegetative management permit rule.
- I object to financial hardships of removing electricity from the lake.
- I object to only one request every five years for dock modification.
- I object to the 8' depth requirement for any new docks.

I would ask that the Shoreline Management Plan NOT be changed. At the very least, please do not allow the changes noted above to go into effect. It would have a devastating economic impact and would be detrimental to the public's right to use and enjoy our lake.

leave old plan in effect

I am encouraged that the public's comments during the process have been acknowledged by the Corps. Thank you for listening. Please continue to help us protect our rights to use and enjoy our beautiful lake.

20170828_Richey_B-W

Sincerely,

Bob Richey

Date : 8/28/17

TO : Table Rock Lake SMP/MP/EA
Project Mgr, Programs + Projects
Mgmt Div, (501) 324-6518 - FAX

From : Gary + Tammy Ried 314-330-9796

Re : Table Rock Lake Shoreline Mgmt Plan
Rev, Environmental Assessment,
Master Plan Comment Form

of pages (including cover page) = 3

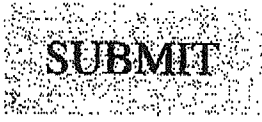


Table Rock Lake Shoreline Management Plan Revision, Environmental Assessment, Master Plan Comment Form



Please use this form to respond to provide your comments on the draft revised Table Rock Lake Shoreline Management Plan and the draft Environmental Assessment. The draft revised Shoreline Management Plan and Environmental Assessment may be found on the web at <https://go.usa.gov/xN92n>. Please also include any comments you may have regarding the 2014 Table Rock Lake Master Plan. The 2014 Table Rock Lake Master Plan may be found on the web at <https://go.usa.gov/xN92n>. Feel free to take an extra form and sent it back later to the address listed below. **Comments must be submitted by August 30, 2017.**

Your Name/Organization: Gary + Tammy Ried
Address: Eagles Point subdivision Lot #47
Shell Knob MO
E-mail: TAMMYRIED@ATT.NET Phone: 314-330-9796

Please circle the number that best represents your opinion of the draft documents: Revised Shoreline Management Plan, draft Environmental Assessment, and draft Finding of No Significant Impact:

- | | | | | | | | | | |
|---------------------|---|---|---|---|---|---|---|---|------------------|
| 1 | 2 | 3 | 4 | 5 | 6 | 7 | 8 | 9 | 10 |
| Strongly Disapprove | | | | | | | | | Strongly Approve |

What are the most important factors that affect your opinion of the draft Revised Shoreline Management Plan?

Requirement to have all shore base electrical power sources removed by 2027 + replaced with alternative power sources (ie Solar). (See pg 2 for comments)

What are the most important factors that affect your opinion of the draft Environmental Assessment and draft Finding of No Significant Impact prepared for the Shoreline Management Plan Revision?

Vegetative management (See pg 2 for comments)

Comments on the 2014 Master Plan: 0

Comments may be submitted via mail, email, fax or the project website with attention to: Table Rock Lake SMP/MP/EA Project Manager, Programs and Projects Management Division, USACE, Little Rock District, P.O. Box 867, Little Rock, AR 72203.
Fax: (501) 324-6518 Email: CESWL-TableRockShorelineManagementPlanUpdate@usace.army.mil

Website: <https://go.usa.gov/xN92n>

Written comments must be postmarked, e-mailed, faxed, or otherwise submitted by **August 30, 2017.**

TableRock Lake Shoeline Mgmt Plan [PAGE 2]
Revision, Environmental Assessment,
Master Plan Comment Form

Gary + Tammy Ried

* Requirement to have all shore base electrical power sources removed by 2027 and replaced with "alternative" power sources (i.e. Solar)

"Safety" was cited as a primary reason; however, electricity is electricity no matter how it is generated and has the potential to harm/kill a person whether it is generated by a power plant on shore or solar cells on the roof via an inverter.

What about on cloudy days when the batteries would not charge and would be rendered useless? How would a boat owner get their boat on a lift? And what about all of those thousands of batteries ending up in a landfill? Or WORSE....ending up in the lake? This puts a substantial risk to the environment and to the marine life in the lake.

* Vegetative Management

While it is preferable that there are rules and regulations surrounding what can be cut down along the shore and on Corp property, it is ludicrous that no mowing or underbrushing shall occur. If the foliage is less than 2 inches in circumference than it should be allowed to be mowed and/or weed-wacked. Our properties have to abut these areas which attract mosquitos, chiggers, and fleas which we all know is a health risk to ourselves and to our pets.

From: CESWL-Table Rock Shoreline Management Plan Update <CESWL-TableRockShorelineManagementPlanUpdate@usace.army.mil>
Sent: Tuesday, August 29, 2017 8:43 AM
To: Murphy, Gina L.
Subject: FW: [EXTERNAL] Table Rock Lake Shoreline Management Plan

-----Original Message-----

From: Clay`Rogers [<mailto:ccdobermanrun1@att.net>]
Sent: Monday, August 28, 2017 12:10 PM
To: CESWL-Table Rock Shoreline Management Plan Update <CESWL-TableRockShorelineManagementPlanUpdate@usace.army.mil>; savetablerock@gmail.com
Subject: [EXTERNAL] Table Rock Lake Shoreline Management Plan

TO: Corps of Engineers Decision Makers

FROM: Clay Rogers

RE: Table Rock Lake Shoreline Management Plan

Dear Corps of Engineers Decision Makers,

I am deeply concerned about the drastic changes that are being proposed in your draft Shoreline Management Plan for Table Rock Lake. The community has been very clear in thousands of public comments submitted that we are opposed to over-regulation. We've asked many times for NO CHANGE to be made to the Plan, but there are several items of major concern:

- I object to the carrying capacity as it limits the right to use the lake.
- I object to tighter restrictions placed upon vegetative management permits.
- I object to the new non-transferable grandfathered vegetative management permit rule.
- I object to financial hardships of removing electricity from the lake.
- I object to only one request every five years for dock modification.
- I object to the 8' depth requirement for any new docks.

I would ask that the Shoreline Management Plan NOT be changed. At the very least, please do not allow the changes noted above to go into effect. It would have a devastating economic impact and would be detrimental to the public's right to use and enjoy our lake.

I am encouraged that the public's comments during the process have been acknowledged by the Corps. Thank you for listening. Please continue to help us protect our rights to use and enjoy our beautiful lake.

Sincerely,

20170828_Rogers_C-W

Clay Rogers

From: CESWL-Table Rock Shoreline Management Plan Update <CESWL-TableRockShorelineManagementPlanUpdate@usace.army.mil>
Sent: Tuesday, August 29, 2017 8:41 AM
To: Murphy, Gina L.
Subject: FW: [EXTERNAL] Table Rock Lake Shoreline Management Plan

-----Original Message-----

From: Don`Rogers [<mailto:dondrogers@yahoo.com>]
Sent: Monday, August 28, 2017 11:17 AM
To: CESWL-Table Rock Shoreline Management Plan Update <CESWL-TableRockShorelineManagementPlanUpdate@usace.army.mil>; savetablerock@gmail.com
Subject: [EXTERNAL] Table Rock Lake Shoreline Management Plan

TO: Corps of Engineers Decision Makers

FROM: Don Rogers

RE: Table Rock Lake Shoreline Management Plan

Dear Corps of Engineers Decision Makers,

I am deeply concerned about the drastic changes that are being proposed in your draft Shoreline Management Plan for Table Rock Lake. The community has been very clear in thousands of public comments submitted that we are opposed to over-regulation. We've asked many times for NO CHANGE to be made to the Plan, but there are several items of major concern:

- I object to the carrying capacity as it limits the right to use the lake.
- I object to tighter restrictions placed upon vegetative management permits.
- I object to the new non-transferable grandfathered vegetative management permit rule.
- I object to financial hardships of removing electricity from the lake.
- I object to only one request every five years for dock modification.
- I object to the 8' depth requirement for any new docks.

I would ask that the Shoreline Management Plan NOT be changed. At the very least, please do not allow the changes noted above to go into effect. It would have a devastating economic impact and would be detrimental to the public's right to use and enjoy our lake.

This seems really extreme and all encumbering, maybe some parts can be worked on but as you have it written it is more than I would expect your users to no push back on. Thanks for considerations, please consider this email a NO to your rule changes. Don

20170828_Rogers_D-WA

I am encouraged that the public's comments during the process have been acknowledged by the Corps. Thank you for listening. Please continue to help us protect our rights to use and enjoy our beautiful lake.

Sincerely,

Don Rogers

From: CESWL-Table Rock Shoreline Management Plan Update <CESWL-TableRockShorelineManagementPlanUpdate@usace.army.mil>
Sent: Tuesday, August 29, 2017 8:39 AM
To: Murphy, Gina L.
Subject: FW: [EXTERNAL] Table Rock Lake Shoreline Management Plan

-----Original Message-----

From: ronald`rollins [<mailto:ronaldrollins@sbcglobal.net>]
Sent: Monday, August 28, 2017 10:14 AM
To: CESWL-Table Rock Shoreline Management Plan Update <CESWL-TableRockShorelineManagementPlanUpdate@usace.army.mil>; savetablerock@gmail.com
Subject: [EXTERNAL] Table Rock Lake Shoreline Management Plan

TO: Corps of Engineers Decision Makers

FROM: ronald rollins

RE: Table Rock Lake Shoreline Management Plan

Dear Corps of Engineers Decision Makers,

I am deeply concerned about the drastic changes that are being proposed in your draft Shoreline Management Plan for Table Rock Lake. The community has been very clear in thousands of public comments submitted that we are opposed to over-regulation. We've asked many times for NO CHANGE to be made to the Plan, but there are several items of major concern:

- I object to the carrying capacity as it limits the right to use the lake.
- I object to tighter restrictions placed upon vegetative management permits.
- I object to the new non-transferable grandfathered vegetative management permit rule.
- I object to financial hardships of removing electricity from the lake.
- I object to only one request every five years for dock modification.
- I object to the 8' depth requirement for any new docks.

I would ask that the Shoreline Management Plan NOT be changed. At the very least, please do not allow the changes noted above to go into effect. It would have a devastating economic impact and would be detrimental to the public's right to use and enjoy our lake.

I have becoming to Table Rock for the last 38 plus years. we migrated from the Lake of the Ozarks. Primarily we come in the summer, but also at Thanksgiving for a family reunion. Soon, we may be full time residents. I personally think the Lake is pretty perfect the way it is. I don't see the need for more

regulation. Thank you for your continuing work in making Table Rock such a fun, safe and beautiful place to be. Sincerely. Ron Rollins

I am encouraged that the public's comments during the process have been acknowledged by the Corps. Thank you for listening. Please continue to help us protect our rights to use and enjoy our beautiful lake.

Sincerely,

ronald rollins

From: CESWL-Table Rock Shoreline Management Plan Update <CESWL-TableRockShorelineManagementPlanUpdate@usace.army.mil>
Sent: Tuesday, August 29, 2017 8:41 AM
To: Murphy, Gina L.
Subject: FW: [EXTERNAL] Table Rock Lake Shoreline Management Plan

-----Original Message-----

From: Ronald`Rowden [<mailto:ronrowden@yahoo.com>]
Sent: Monday, August 28, 2017 11:05 AM
To: CESWL-Table Rock Shoreline Management Plan Update <CESWL-TableRockShorelineManagementPlanUpdate@usace.army.mil>; savetablerock@gmail.com
Subject: [EXTERNAL] Table Rock Lake Shoreline Management Plan

TO: Corps of Engineers Decision Makers

FROM: Ronald Rowden

RE: Table Rock Lake Shoreline Management Plan

Dear Corps of Engineers Decision Makers,

I am deeply concerned about the drastic changes that are being proposed in your draft Shoreline Management Plan for Table Rock Lake. The community has been very clear in thousands of public comments submitted that we are opposed to over-regulation. We've asked many times for NO CHANGE to be made to the Plan, but there are several items of major concern:

- I object to the carrying capacity as it limits the right to use the lake.
- I object to tighter restrictions placed upon vegetative management permits.
- I object to the new non-transferable grandfathered vegetative management permit rule.
- I object to financial hardships of removing electricity from the lake.
- I object to only one request every five years for dock modification.
- I object to the 8' depth requirement for any new docks.

I would ask that the Shoreline Management Plan NOT be changed. At the very least, please do not allow the changes noted above to go into effect. It would have a devastating economic impact and would be detrimental to the public's right to use and enjoy our lake.

I am encouraged that the public's comments during the process have been acknowledged by the Corps. Thank you for listening. Please continue to help us protect our rights to use and enjoy our beautiful lake.

Sincerely,

20170828_Rowden_R-W

Ronald Rowden

From: CESWL-Table Rock Shoreline Management Plan Update <CESWL-TableRockShorelineManagementPlanUpdate@usace.army.mil>
Sent: Tuesday, August 29, 2017 8:42 AM
To: Murphy, Gina L.
Subject: FW: [EXTERNAL] Table Rock Lake Shoreline Management Plan

-----Original Message-----

From: Scott Saylor [<mailto:scottgofish@aol.com>]
Sent: Monday, August 28, 2017 11:46 AM
To: CESWL-Table Rock Shoreline Management Plan Update <CESWL-TableRockShorelineManagementPlanUpdate@usace.army.mil>; savetablerock@gmail.com
Subject: [EXTERNAL] Table Rock Lake Shoreline Management Plan

TO: Corps of Engineers Decision Makers

FROM: Scott Saylor

RE: Table Rock Lake Shoreline Management Plan

Dear Corps of Engineers Decision Makers,

I am deeply concerned about the drastic changes that are being proposed in your draft Shoreline Management Plan for Table Rock Lake. The community has been very clear in thousands of public comments submitted that we are opposed to over-regulation. We've asked many times for NO CHANGE to be made to the Plan, but there are several items of major concern:

- I object to the carrying capacity as it limits the right to use the lake.
- I object to tighter restrictions placed upon vegetative management permits.
- I object to the new non-transferable grandfathered vegetative management permit rule.
- I object to financial hardships of removing electricity from the lake.
- I object to only one request every five years for dock modification.
- I object to the 8' depth requirement for any new docks.

I would ask that the Shoreline Management Plan NOT be changed. At the very least, please do not allow the changes noted above to go into effect. It would have a devastating economic impact and would be detrimental to the public's right to use and enjoy our lake.

I am encouraged that the public's comments during the process have been acknowledged by the Corps. Thank you for listening. Please continue to help us protect our rights to use and enjoy our beautiful lake.

Sincerely,

20170828_Saylor_S-W

Scott Saylor

From: CESWL-Table Rock Shoreline Management Plan Update <CESWL-TableRockShorelineManagementPlanUpdate@usace.army.mil>
Sent: Tuesday, August 29, 2017 8:51 AM
To: Murphy, Gina L.
Subject: FW: [EXTERNAL] Table Rock Lake Shoreline Management Plan

-----Original Message-----

From: John`Schultz [<mailto:hop1200@sbcglobal.net>]
Sent: Tuesday, August 29, 2017 1:34 AM
To: CESWL-Table Rock Shoreline Management Plan Update <CESWL-TableRockShorelineManagementPlanUpdate@usace.army.mil>; savetablerock@gmail.com
Subject: [EXTERNAL] Table Rock Lake Shoreline Management Plan

TO: Corps of Engineers Decision Makers

FROM: John Schultz

RE: Table Rock Lake Shoreline Management Plan

Dear Corps of Engineers Decision Makers,

I am deeply concerned about the drastic changes that are being proposed in your draft Shoreline Management Plan for Table Rock Lake. The community has been very clear in thousands of public comments submitted that we are opposed to over-regulation. We've asked many times for NO CHANGE to be made to the Plan, but there are several items of major concern:

- I object to the carrying capacity as it limits the right to use the lake.
- I object to tighter restrictions placed upon vegetative management permits.
- I object to the new non-transferable grandfathered vegetative management permit rule.
- I object to financial hardships of removing electricity from the lake.
- I object to only one request every five years for dock modification.
- I object to the 8' depth requirement for any new docks.

I would ask that the Shoreline Management Plan NOT be changed. At the very least, please do not allow the changes noted above to go into effect. It would have a devastating economic impact and would be detrimental to the public's right to use and enjoy our lake.

I am encouraged that the public's comments during the process have been acknowledged by the Corps. Thank you for listening. Please continue to help us protect our rights to use and enjoy our beautiful lake.

Sincerely,

20170828_Schultz_J-W

John Schultz

From: CESWL-Table Rock Shoreline Management Plan Update <CESWL-TableRockShorelineManagementPlanUpdate@usace.army.mil>
Sent: Tuesday, August 29, 2017 8:41 AM
To: Murphy, Gina L.
Subject: FW: [EXTERNAL] Table Rock Lake Shoreline Management Plan

-----Original Message-----

From: Patty Silliman [<mailto:psill271@aol.com>]
Sent: Monday, August 28, 2017 11:18 AM
To: CESWL-Table Rock Shoreline Management Plan Update <CESWL-TableRockShorelineManagementPlanUpdate@usace.army.mil>; savetablerock@gmail.com
Subject: [EXTERNAL] Table Rock Lake Shoreline Management Plan

TO: Corps of Engineers Decision Makers

FROM: Patty Silliman

RE: Table Rock Lake Shoreline Management Plan

Dear Corps of Engineers Decision Makers,

I am deeply concerned about the drastic changes that are being proposed in your draft Shoreline Management Plan for Table Rock Lake. The community has been very clear in thousands of public comments submitted that we are opposed to over-regulation. We've asked many times for NO CHANGE to be made to the Plan, but there are several items of major concern:

- I object to the carrying capacity as it limits the right to use the lake.
- I object to tighter restrictions placed upon vegetative management permits.
- I object to the new non-transferable grandfathered vegetative management permit rule.
- I object to financial hardships of removing electricity from the lake.
- I object to only one request every five years for dock modification.
- I object to the 8' depth requirement for any new docks.

I would ask that the Shoreline Management Plan NOT be changed. At the very least, please do not allow the changes noted above to go into effect. It would have a devastating economic impact and would be detrimental to the public's right to use and enjoy our lake.

I am encouraged that the public's comments during the process have been acknowledged by the Corps. Thank you for listening. Please continue to help us protect our rights to use and enjoy our beautiful lake.

Sincerely,

20170828_Silliman_P-W

Patty Silliman

From: CESWL-Table Rock Shoreline Management Plan Update <CESWL-TableRockShorelineManagementPlanUpdate@usace.army.mil>
Sent: Tuesday, August 29, 2017 8:45 AM
To: Murphy, Gina L.
Subject: FW: Feedback on the New Proposed Shore Line Management Plan
Attachments: image001.jpg; image002.jpg; image003.png; image004.png; image005.png; image006.png

-----Original Message-----

From: Ryan Silvius [<mailto:rsilvius@clearwater.younglife.org>]
Sent: Monday, August 28, 2017 2:43 PM
To: CESWL-Table Rock Shoreline Management Plan Update <CESWL-TableRockShorelineManagementPlanUpdate@usace.army.mil>
Cc: Shortt, Rebecca J CIV USARMY CESWL (US) <Rebecca.J.Shortt@usace.army.mil>
Subject: [EXTERNAL] Feedback on the New Proposed Shore Line Management Plan

Dear Corps Leadership,

Some of my concerns may have nothing to do with a commercial operation and if so do not trouble yourself with responding or otherwise attending to my concerns below. If they do include commercial operations, I have a concern with the limitation of storage on docks. I serve as a camp manager at a children's camp and a requirement to keep life jackets, tubes, skis, wakeboards and all the associated safety and lifesaving equipment to run a commercial operation at off-dock storage would make using the lake cumbersome and unsafe. Also removing the option to apply for no wake buoys would seem to make the lake more dangerous for an operation with lots of children in the water. Also, we have been planning to apply for mooring buoys to facilitate the safe operations of our camp; therefore, not allowing new mooring permits would be detrimental. Finally, not allowing camp vehicles to drive on Corp land would make commercial operations difficult. Of my concerns the first (storage limitation) and the last (driving/parking) are the most burdensome.

Thank you for taking the time to hear my concerns and for leading us into the best future use of Table Rock Lake.

Sincerely,

Ryan Silvius

20170828_Silvius_R

Camp Manager

Young Life Clearwater Cove

2565 State Highway H

Lampe, MO 65681

(417) 597-1316

rsilvius@clearwater.younglife.org <<mailto:rsilvius@clearwater.younglife.org>>

<Blocked<https://clearwatercove.younglife.org/Pages/default.aspx>>

<Blocked<https://www.facebook.com/YLClearWaterCove?ref=hl>>

<Blocked<https://instagram.com/ylclearwater/>> <Blocked<https://twitter.com/ylclearwater>>

*****Confidentiality Notice***** This e-mail transmission and any documents, files or previous e-mail messages attached to it, may contain confidential and legally privileged information, which is intended solely for use by the individual or entity to whom it is addressed. Any review, retransmission, dissemination, copying, printing or other use of this information by persons or entities other than the intended recipient is STRICTLY PROHIBITED. If you have received this information in error, please notify the sender immediately and delete (destroy) the original transmission and any attachments.

From: CESWL-Table Rock Shoreline Management Plan Update <CESWL-TableRockShorelineManagementPlanUpdate@usace.army.mil>
Sent: Tuesday, August 29, 2017 8:45 AM
To: Murphy, Gina L.
Subject: FW: [EXTERNAL] Table Rock Lake Shoreline Management Plan

-----Original Message-----

From: Ryan`Silvius [<mailto:rsilvius@cwv.younglife.org>]
Sent: Monday, August 28, 2017 2:03 PM
To: CESWL-Table Rock Shoreline Management Plan Update <CESWL-TableRockShorelineManagementPlanUpdate@usace.army.mil>; savetablerock@gmail.com
Subject: [EXTERNAL] Table Rock Lake Shoreline Management Plan

TO: Corps of Engineers Decision Makers

FROM: Ryan Silvius

RE: Table Rock Lake Shoreline Management Plan

Dear Corps of Engineers Decision Makers,

I am deeply concerned about the drastic changes that are being proposed in your draft Shoreline Management Plan for Table Rock Lake. The community has been very clear in thousands of public comments submitted that we are opposed to over-regulation. We've asked many times for NO CHANGE to be made to the Plan, but there are several items of major concern:

- I object to the carrying capacity as it limits the right to use the lake.
- I object to tighter restrictions placed upon vegetative management permits.
- I object to the new non-transferable grandfathered vegetative management permit rule.
- I object to financial hardships of removing electricity from the lake.
- I object to only one request every five years for dock modification.
- I object to the 8' depth requirement for any new docks.

I would ask that the Shoreline Management Plan NOT be changed. At the very least, please do not allow the changes noted above to go into effect. It would have a devastating economic impact and would be detrimental to the public's right to use and enjoy our lake.

Dear Corps of Engineers Decision Makers,

20170828_Silvius_R-WA

I am OK with the requirement to remove electricity from the lake. I am OK with the 8ft depth requirement for any new docks. And I am OK with the Shoreline Management Plan being changed. Please disregard these from the above for me.

However, I do have a significant concern with the limitation of storage on docks. I serve as a camp manager at a children's camp and a requirement to keep life jackets, tubes, skis, wakeboards and all the associated safety and life saving equipment to run a commercial operation at off-dock storage would make using the lake cumbersome and unsafe. Also removing the option for no wake buoys would seem to make the lake more dangerous for an operation with lots of children in the water. Finally, not allowing camp vehicles to drive on Corp land would again make commercial operations very, very difficult.

I would much rather the current plan stay in place than lose the ability to do any of the above (dock storage, removal of the option for no wake buoys, limiting lake access to foot traffic only. I find it difficult to believe that this overall plan represents the will of the people of Table Rock Lake. I believe that governing agencies should support the will of the majority of its constituents. As you lead us into the future use of Table Rock Lake, please consider the will of the majority of the users of Table Rock Lake.

Sincerely,

Ryan Silvius

I am encouraged that the public's comments during the process have been acknowledged by the Corps. Thank you for listening. Please continue to help us protect our rights to use and enjoy our beautiful lake.

Sincerely,

Ryan Silvius

From: CESWL-Table Rock Shoreline Management Plan Update <CESWL-TableRockShorelineManagementPlanUpdate@usace.army.mil>
Sent: Tuesday, August 29, 2017 8:37 AM
To: Murphy, Gina L.
Subject: FW: [EXTERNAL] Table Rock Lake Shoreline Management Plan

-----Original Message-----

From: Ken`Simpson [<mailto:ken.simpson@calvaryfwb.org>]
Sent: Monday, August 28, 2017 7:46 AM
To: CESWL-Table Rock Shoreline Management Plan Update <CESWL-TableRockShorelineManagementPlanUpdate@usace.army.mil>; savetablerock@gmail.com
Subject: [EXTERNAL] Table Rock Lake Shoreline Management Plan

TO: Corps of Engineers Decision Makers

FROM: Ken Simpson

RE: Table Rock Lake Shoreline Management Plan

Dear Corps of Engineers Decision Makers,

I am deeply concerned about the drastic changes that are being proposed in your draft Shoreline Management Plan for Table Rock Lake. The community has been very clear in thousands of public comments submitted that we are opposed to over-regulation. We've asked many times for NO CHANGE to be made to the Plan, but there are several items of major concern:

- I object to the carrying capacity as it limits the right to use the lake.
- I object to tighter restrictions placed upon vegetative management permits.
- I object to the new non-transferable grandfathered vegetative management permit rule.
- I object to financial hardships of removing electricity from the lake.
- I object to only one request every five years for dock modification.
- I object to the 8' depth requirement for any new docks.

I would ask that the Shoreline Management Plan NOT be changed. At the very least, please do not allow the changes noted above to go into effect. It would have a devastating economic impact and would be detrimental to the public's right to use and enjoy our lake.

I am encouraged that the public's comments during the process have been acknowledged by the Corps. Thank you for listening. Please continue to help us protect our rights to use and enjoy our beautiful lake.

Sincerely,

20170828_Simpson_K-W

Ken Simpson

From: CESWL-Table Rock Shoreline Management Plan Update <CESWL-TableRockShorelineManagementPlanUpdate@usace.army.mil>
Sent: Tuesday, August 29, 2017 8:40 AM
To: Murphy, Gina L.
Subject: FW: [EXTERNAL] Table Rock Lake Shoreline Management Plan

-----Original Message-----

From: debra`Skaggs [<mailto:dskaags70@gmail.com>]
Sent: Monday, August 28, 2017 10:14 AM
To: CESWL-Table Rock Shoreline Management Plan Update <CESWL-TableRockShorelineManagementPlanUpdate@usace.army.mil>; savetablerock@gmail.com
Subject: [EXTERNAL] Table Rock Lake Shoreline Management Plan

TO: Corps of Engineers Decision Makers

FROM: debra Skaggs

RE: Table Rock Lake Shoreline Management Plan

Dear Corps of Engineers Decision Makers,

I am deeply concerned about the drastic changes that are being proposed in your draft Shoreline Management Plan for Table Rock Lake. The community has been very clear in thousands of public comments submitted that we are opposed to over-regulation. We've asked many times for NO CHANGE to be made to the Plan, but there are several items of major concern:

- I object to the carrying capacity as it limits the right to use the lake.
- I object to tighter restrictions placed upon vegetative management permits.
- I object to the new non-transferable grandfathered vegetative management permit rule.
- I object to financial hardships of removing electricity from the lake.
- I object to only one request every five years for dock modification.
- I object to the 8' depth requirement for any new docks.

I would ask that the Shoreline Management Plan NOT be changed. At the very least, please do not allow the changes noted above to go into effect. It would have a devastating economic impact and would be detrimental to the public's right to use and enjoy our lake.

It is OUR dock! We paid for it and pay dearly each year in personal property taxes. And the enjoyment of it, by our family, is why we bought our place here--and not somewhere else!

20170828_Skaggs_D-WA

I am encouraged that the public's comments during the process have been acknowledged by the Corps. Thank you for listening. Please continue to help us protect our rights to use and enjoy our beautiful lake.

Sincerely,

debra Skaggs

From: CESWL-Table Rock Shoreline Management Plan Update <CESWL-TableRockShorelineManagementPlanUpdate@usace.army.mil>
Sent: Tuesday, August 29, 2017 8:40 AM
To: Murphy, Gina L.
Subject: FW: [EXTERNAL] Table Rock Lake Shoreline Management Plan

-----Original Message-----

From: michael`skaggs [<mailto:mdskaggs75@gmail.com>]
Sent: Monday, August 28, 2017 10:37 AM
To: CESWL-Table Rock Shoreline Management Plan Update <CESWL-TableRockShorelineManagementPlanUpdate@usace.army.mil>; savetablerock@gmail.com
Subject: [EXTERNAL] Table Rock Lake Shoreline Management Plan

TO: Corps of Engineers Decision Makers

FROM: michael skaggs

RE: Table Rock Lake Shoreline Management Plan

Dear Corps of Engineers Decision Makers,

I am deeply concerned about the drastic changes that are being proposed in your draft Shoreline Management Plan for Table Rock Lake. The community has been very clear in thousands of public comments submitted that we are opposed to over-regulation. We've asked many times for NO CHANGE to be made to the Plan, but there are several items of major concern:

- I object to the carrying capacity as it limits the right to use the lake.
- I object to tighter restrictions placed upon vegetative management permits.
- I object to the new non-transferable grandfathered vegetative management permit rule.
- I object to financial hardships of removing electricity from the lake.
- I object to only one request every five years for dock modification.
- I object to the 8' depth requirement for any new docks.

I would ask that the Shoreline Management Plan NOT be changed. At the very least, please do not allow the changes noted above to go into effect. It would have a devastating economic impact and would be detrimental to the public's right to use and enjoy our lake.

I am encouraged that the public's comments during the process have been acknowledged by the Corps. Thank you for listening. Please continue to help us protect our rights to use and enjoy our beautiful lake.

Sincerely,

20170828_Skaggs_M-W

michael skaggs

From: CESWL-Table Rock Shoreline Management Plan Update <CESWL-TableRockShorelineManagementPlanUpdate@usace.army.mil>
Sent: Tuesday, August 29, 2017 8:37 AM
To: Murphy, Gina L.
Subject: FW: [EXTERNAL] Table Rock Lake Shoreline Management Plan

-----Original Message-----

From: Randy`Smith [<mailto:dr.randal.smith@gmail.com>]
Sent: Monday, August 28, 2017 7:23 AM
To: CESWL-Table Rock Shoreline Management Plan Update <CESWL-TableRockShorelineManagementPlanUpdate@usace.army.mil>; savetablerock@gmail.com
Subject: [EXTERNAL] Table Rock Lake Shoreline Management Plan

TO: Corps of Engineers Decision Makers

FROM: Randy Smith

RE: Table Rock Lake Shoreline Management Plan

Dear Corps of Engineers Decision Makers,

I am deeply concerned about the drastic changes that are being proposed in your draft Shoreline Management Plan for Table Rock Lake. The community has been very clear in thousands of public comments submitted that we are opposed to over-regulation. We've asked many times for NO CHANGE to be made to the Plan, but there are several items of major concern:

- I object to the carrying capacity as it limits the right to use the lake.
- I object to tighter restrictions placed upon vegetative management permits.
- I object to the new non-transferable grandfathered vegetative management permit rule.
- I object to financial hardships of removing electricity from the lake.
- I object to only one request every five years for dock modification.
- I object to the 8' depth requirement for any new docks.

I would ask that the Shoreline Management Plan NOT be changed. At the very least, please do not allow the changes noted above to go into effect. It would have a devastating economic impact and would be detrimental to the public's right to use and enjoy our lake.

As a boater on Table Rock Lake with 2 boat slips, I am very concerned about these proposed changes and am in fact opposed.

20170828_Smith_R-WA

I am encouraged that the public's comments during the process have been acknowledged by the Corps. Thank you for listening. Please continue to help us protect our rights to use and enjoy our beautiful lake.

Sincerely,

Randy Smith

From: CESWL-Table Rock Shoreline Management Plan Update <CESWL-TableRockShorelineManagementPlanUpdate@usace.army.mil>
Sent: Tuesday, August 29, 2017 8:41 AM
To: Murphy, Gina L.
Subject: FW: [EXTERNAL] Table Rock Lake Shoreline Management Plan

-----Original Message-----

From: Sara`Smith [<mailto:sara@contentsinteriors.com>]
Sent: Monday, August 28, 2017 10:54 AM
To: CESWL-Table Rock Shoreline Management Plan Update <CESWL-TableRockShorelineManagementPlanUpdate@usace.army.mil>; savetablerock@gmail.com
Subject: [EXTERNAL] Table Rock Lake Shoreline Management Plan

TO: Corps of Engineers Decision Makers

FROM: Sara Smith

RE: Table Rock Lake Shoreline Management Plan

Dear Corps of Engineers Decision Makers,

I am deeply concerned about the drastic changes that are being proposed in your draft Shoreline Management Plan for Table Rock Lake. The community has been very clear in thousands of public comments submitted that we are opposed to over-regulation. We've asked many times for NO CHANGE to be made to the Plan, but there are several items of major concern:

- I object to the carrying capacity as it limits the right to use the lake.
- I object to tighter restrictions placed upon vegetative management permits.
- I object to the new non-transferable grandfathered vegetative management permit rule.
- I object to financial hardships of removing electricity from the lake.
- I object to only one request every five years for dock modification.
- I object to the 8' depth requirement for any new docks.

I would ask that the Shoreline Management Plan NOT be changed. At the very least, please do not allow the changes noted above to go into effect. It would have a devastating economic impact and would be detrimental to the public's right to use and enjoy our lake.

I am encouraged that the public's comments during the process have been acknowledged by the Corps. Thank you for listening. Please continue to help us protect our rights to use and enjoy our beautiful lake.

Sincerely,

20170828_Smith_S-W

Sara Smith

From: CESWL-Table Rock Shoreline Management Plan Update <CESWL-TableRockShorelineManagementPlanUpdate@usace.army.mil>
Sent: Tuesday, August 29, 2017 8:36 AM
To: Murphy, Gina L.
Subject: FW: [EXTERNAL] Table Rock Lake Shoreline Management Plan

-----Original Message-----

From: Kelly`Sorci [<mailto:klsorci@yahoo.com>]
Sent: Monday, August 28, 2017 2:37 AM
To: CESWL-Table Rock Shoreline Management Plan Update <CESWL-TableRockShorelineManagementPlanUpdate@usace.army.mil>; savetablerock@gmail.com
Subject: [EXTERNAL] Table Rock Lake Shoreline Management Plan

TO: Corps of Engineers Decision Makers

FROM: Kelly Sorci

RE: Table Rock Lake Shoreline Management Plan

Dear Corps of Engineers Decision Makers,

I am deeply concerned about the drastic changes that are being proposed in your draft Shoreline Management Plan for Table Rock Lake. The community has been very clear in thousands of public comments submitted that we are opposed to over-regulation. We've asked many times for NO CHANGE to be made to the Plan, but there are several items of major concern:

- I object to the carrying capacity as it limits the right to use the lake.
- I object to tighter restrictions placed upon vegetative management permits.
- I object to the new non-transferable grandfathered vegetative management permit rule.
- I object to financial hardships of removing electricity from the lake.
- I object to only one request every five years for dock modification.
- I object to the 8' depth requirement for any new docks.

I would ask that the Shoreline Management Plan NOT be changed. At the very least, please do not allow the changes noted above to go into effect. It would have a devastating economic impact and would be detrimental to the public's right to use and enjoy our lake.

While the motivation to keep the lake as natural as possible is noble, over regulation impedes quality of life on the lake.

20170828_Sorci_K-WA

I am encouraged that the public's comments during the process have been acknowledged by the Corps. Thank you for listening. Please continue to help us protect our rights to use and enjoy our beautiful lake.

Sincerely,

Kelly Sorci

From: CESWL-Table Rock Shoreline Management Plan Update <CESWL-TableRockShorelineManagementPlanUpdate@usace.army.mil>
Sent: Tuesday, August 29, 2017 8:39 AM
To: Murphy, Gina L.
Subject: FW: [EXTERNAL] Table Rock Lake Shoreline Management Plan

-----Original Message-----

From: Glenn`Stephens [<mailto:cqsky72@hotmail.com>]
Sent: Monday, August 28, 2017 9:00 AM
To: CESWL-Table Rock Shoreline Management Plan Update <CESWL-TableRockShorelineManagementPlanUpdate@usace.army.mil>; savetablerock@gmail.com
Subject: [EXTERNAL] Table Rock Lake Shoreline Management Plan

TO: Corps of Engineers Decision Makers

FROM: Glenn Stephens

RE: Table Rock Lake Shoreline Management Plan

Dear Corps of Engineers Decision Makers,

I am deeply concerned about the drastic changes that are being proposed in your draft Shoreline Management Plan for Table Rock Lake. The community has been very clear in thousands of public comments submitted that we are opposed to over-regulation. We've asked many times for NO CHANGE to be made to the Plan, but there are several items of major concern:

- I object to the carrying capacity as it limits the right to use the lake.
- I object to tighter restrictions placed upon vegetative management permits.
- I object to the new non-transferable grandfathered vegetative management permit rule.
- I object to financial hardships of removing electricity from the lake.
- I object to only one request every five years for dock modification.
- I object to the 8' depth requirement for any new docks.

I would ask that the Shoreline Management Plan NOT be changed. At the very least, please do not allow the changes noted above to go into effect. It would have a devastating economic impact and would be detrimental to the public's right to use and enjoy our lake.

I am encouraged that the public's comments during the process have been acknowledged by the Corps. Thank you for listening. Please continue to help us protect our rights to use and enjoy our beautiful lake.

Sincerely,

20170828_Stephens_G-W

Glenn Stephens

From: CESWL-Table Rock Shoreline Management Plan Update <CESWL-TableRockShorelineManagementPlanUpdate@usace.army.mil>
Sent: Tuesday, August 29, 2017 8:40 AM
To: Murphy, Gina L.
Subject: FW: [EXTERNAL] Table Rock Lake Shoreline Management Plan

-----Original Message-----

From: kevin `stice [<mailto:fatty8686@hotmail.com>]
Sent: Monday, August 28, 2017 10:42 AM
To: CESWL-Table Rock Shoreline Management Plan Update <CESWL-TableRockShorelineManagementPlanUpdate@usace.army.mil>; savetablerock@gmail.com
Subject: [EXTERNAL] Table Rock Lake Shoreline Management Plan

TO: Corps of Engineers Decision Makers

FROM: kevin stice

RE: Table Rock Lake Shoreline Management Plan

Dear Corps of Engineers Decision Makers,

I am deeply concerned about the drastic changes that are being proposed in your draft Shoreline Management Plan for Table Rock Lake. The community has been very clear in thousands of public comments submitted that we are opposed to over-regulation. We've asked many times for NO CHANGE to be made to the Plan, but there are several items of major concern:

- I object to the carrying capacity as it limits the right to use the lake.
- I object to tighter restrictions placed upon vegetative management permits.
- I object to the new non-transferable grandfathered vegetative management permit rule.
- I object to financial hardships of removing electricity from the lake.
- I object to only one request every five years for dock modification.
- I object to the 8' depth requirement for any new docks.

I would ask that the Shoreline Management Plan NOT be changed. At the very least, please do not allow the changes noted above to go into effect. It would have a devastating economic impact and would be detrimental to the public's right to use and enjoy our lake.

I want to use my golf cart to get to the dock very important!

I am encouraged that the public's comments during the process have been acknowledged by the Corps. Thank you for listening. Please continue to help us protect our rights to use and enjoy our beautiful lake.

20170828_Stice_K-WA

Sincerely,

kevin stice

From: CESWL-Table Rock Shoreline Management Plan Update <CESWL-TableRockShorelineManagementPlanUpdate@usace.army.mil>
Sent: Tuesday, August 29, 2017 8:41 AM
To: Murphy, Gina L.
Subject: FW: [EXTERNAL] Table Rock Lake Shoreline Management Plan

-----Original Message-----

From: Daniel Sullivan [<mailto:dan@ds8.co>]
Sent: Monday, August 28, 2017 10:54 AM
To: CESWL-Table Rock Shoreline Management Plan Update <CESWL-TableRockShorelineManagementPlanUpdate@usace.army.mil>; savetablerock@gmail.com
Subject: [EXTERNAL] Table Rock Lake Shoreline Management Plan

TO: Corps of Engineers Decision Makers

FROM: Daniel Sullivan

RE: Table Rock Lake Shoreline Management Plan

Dear Corps of Engineers Decision Makers,

I am deeply concerned about the drastic changes that are being proposed in your draft Shoreline Management Plan for Table Rock Lake. The community has been very clear in thousands of public comments submitted that we are opposed to over-regulation. We've asked many times for NO CHANGE to be made to the Plan, but there are several items of major concern:

- I object to the carrying capacity as it limits the right to use the lake.
- I object to tighter restrictions placed upon vegetative management permits.
- I object to the new non-transferable grandfathered vegetative management permit rule.
- I object to financial hardships of removing electricity from the lake.
- I object to only one request every five years for dock modification.
- I object to the 8' depth requirement for any new docks.

I would ask that the Shoreline Management Plan NOT be changed. At the very least, please do not allow the changes noted above to go into effect. It would have a devastating economic impact and would be detrimental to the public's right to use and enjoy our lake.

I am encouraged that the public's comments during the process have been acknowledged by the Corps. Thank you for listening. Please continue to help us protect our rights to use and enjoy our beautiful lake.

Sincerely,

20170828_Sullivan_D-W

Daniel Sullivan

From: CESWL-Table Rock Shoreline Management Plan Update <CESWL-TableRockShorelineManagementPlanUpdate@usace.army.mil>
Sent: Tuesday, August 29, 2017 8:48 AM
To: Murphy, Gina L.
Subject: FW: [EXTERNAL] Table Rock Lake Shoreline Management Plan

-----Original Message-----

From: Carole`Swift [<mailto:wallyworld@cebridge.net>]
Sent: Monday, August 28, 2017 5:15 PM
To: CESWL-Table Rock Shoreline Management Plan Update <CESWL-TableRockShorelineManagementPlanUpdate@usace.army.mil>; savetablerock@gmail.com
Subject: [EXTERNAL] Table Rock Lake Shoreline Management Plan

TO: Corps of Engineers Decision Makers

FROM: Carole Swift

RE: Table Rock Lake Shoreline Management Plan

Dear Corps of Engineers Decision Makers,

I am deeply concerned about the drastic changes that are being proposed in your draft Shoreline Management Plan for Table Rock Lake. The community has been very clear in thousands of public comments submitted that we are opposed to over-regulation. We've asked many times for NO CHANGE to be made to the Plan, but there are several items of major concern:

- I object to the carrying capacity as it limits the right to use the lake.
- I object to tighter restrictions placed upon vegetative management permits.
- I object to the new non-transferable grandfathered vegetative management permit rule.
- I object to financial hardships of removing electricity from the lake.
- I object to only one request every five years for dock modification.
- I object to the 8' depth requirement for any new docks.

I would ask that the Shoreline Management Plan NOT be changed. At the very least, please do not allow the changes noted above to go into effect. It would have a devastating economic impact and would be detrimental to the public's right to use and enjoy our lake.

I am encouraged that the public's comments during the process have been acknowledged by the Corps. Thank you for listening. Please continue to help us protect our rights to use and enjoy our beautiful lake.

Sincerely,

20170828_Swift_C-W

Carole Swift

From: CESWL-Table Rock Shoreline Management Plan Update <CESWL-TableRockShorelineManagementPlanUpdate@usace.army.mil>
Sent: Tuesday, August 29, 2017 8:43 AM
To: Murphy, Gina L.
Subject: FW: [EXTERNAL] Table Rock Lake Shoreline Management Plan

-----Original Message-----

From: Larry Taylor [<mailto:dtaylor@centurytel.net>]
Sent: Monday, August 28, 2017 12:34 PM
To: CESWL-Table Rock Shoreline Management Plan Update <CESWL-TableRockShorelineManagementPlanUpdate@usace.army.mil>; savetablerock@gmail.com
Subject: [EXTERNAL] Table Rock Lake Shoreline Management Plan

TO: Corps of Engineers Decision Makers

FROM: Larry Taylor

RE: Table Rock Lake Shoreline Management Plan

Dear Corps of Engineers Decision Makers,

I am deeply concerned about the drastic changes that are being proposed in your draft Shoreline Management Plan for Table Rock Lake. The community has been very clear in thousands of public comments submitted that we are opposed to over-regulation. We've asked many times for NO CHANGE to be made to the Plan, but there are several items of major concern:

- I object to the carrying capacity as it limits the right to use the lake.
- I object to tighter restrictions placed upon vegetative management permits.
- I object to the new non-transferable grandfathered vegetative management permit rule.
- I object to financial hardships of removing electricity from the lake.
- I object to only one request every five years for dock modification.
- I object to the 8' depth requirement for any new docks.

I would ask that the Shoreline Management Plan NOT be changed. At the very least, please do not allow the changes noted above to go into effect. It would have a devastating economic impact and would be detrimental to the public's right to use and enjoy our lake.

I am encouraged that the public's comments during the process have been acknowledged by the Corps. Thank you for listening. Please continue to help us protect our rights to use and enjoy our beautiful lake.

Sincerely,

20170828_Taylor_L-W

Larry Taylor

From: CESWL-Table Rock Shoreline Management Plan Update <CESWL-TableRockShorelineManagementPlanUpdate@usace.army.mil>
Sent: Tuesday, August 29, 2017 8:47 AM
To: Murphy, Gina L.
Subject: FW: [EXTERNAL] Table Rock Lake Shoreline Management Plan

-----Original Message-----

From: Sheila`Thomas [<mailto:bowlingsl@aol.com>]
Sent: Monday, August 28, 2017 4:34 PM
To: CESWL-Table Rock Shoreline Management Plan Update <CESWL-TableRockShorelineManagementPlanUpdate@usace.army.mil>; savetablerock@gmail.com
Subject: [EXTERNAL] Table Rock Lake Shoreline Management Plan

TO: Corps of Engineers Decision Makers

FROM: Sheila Thomas

RE: Table Rock Lake Shoreline Management Plan

Dear Corps of Engineers Decision Makers,

I am deeply concerned about the drastic changes that are being proposed in your draft Shoreline Management Plan for Table Rock Lake. The community has been very clear in thousands of public comments submitted that we are opposed to over-regulation. We've asked many times for NO CHANGE to be made to the Plan, but there are several items of major concern:

- I object to the carrying capacity as it limits the right to use the lake.
- I object to tighter restrictions placed upon vegetative management permits.
- I object to the new non-transferable grandfathered vegetative management permit rule.
- I object to financial hardships of removing electricity from the lake.
- I object to only one request every five years for dock modification.
- I object to the 8' depth requirement for any new docks.

I would ask that the Shoreline Management Plan NOT be changed. At the very least, please do not allow the changes noted above to go into effect. It would have a devastating economic impact and would be detrimental to the public's right to use and enjoy our lake.

I also object to the elimination of the CRSD program. This discourages businesses who may want to locate in an area where they could be served by a CRSD.

20170828_Thomas_S-WA

I also would request the clarification of what constitutes "minor" changes that can be made by the District Commander without requiring the public participation process.

I am encouraged that the public's comments during the process have been acknowledged by the Corps. Thank you for listening. Please continue to help us protect our rights to use and enjoy our beautiful lake.

Sincerely,

Sheila Thomas

From: CESWL-Table Rock Shoreline Management Plan Update <CESWL-TableRockShorelineManagementPlanUpdate@usace.army.mil>
Sent: Tuesday, August 29, 2017 8:44 AM
To: Murphy, Gina L.
Subject: FW: [EXTERNAL] Table Rock Lake Shoreline Management Plan

-----Original Message-----

From: Guy Thorpe [<mailto:guythorpe@everestkc.net>]
Sent: Monday, August 28, 2017 1:48 PM
To: CESWL-Table Rock Shoreline Management Plan Update <CESWL-TableRockShorelineManagementPlanUpdate@usace.army.mil>; savetablerock@gmail.com
Subject: [EXTERNAL] Table Rock Lake Shoreline Management Plan

TO: Corps of Engineers Decision Makers

FROM: Guy Thorpe

RE: Table Rock Lake Shoreline Management Plan

Dear Corps of Engineers Decision Makers,

I am deeply concerned about the drastic changes that are being proposed in your draft Shoreline Management Plan for Table Rock Lake. The community has been very clear in thousands of public comments submitted that we are opposed to over-regulation. We've asked many times for NO CHANGE to be made to the Plan, but there are several items of major concern:

- I object to the carrying capacity as it limits the right to use the lake.
- I object to tighter restrictions placed upon vegetative management permits.
- I object to the new non-transferable grandfathered vegetative management permit rule.
- I object to financial hardships of removing electricity from the lake.
- I object to only one request every five years for dock modification.
- I object to the 8' depth requirement for any new docks.

I would ask that the Shoreline Management Plan NOT be changed. At the very least, please do not allow the changes noted above to go into effect. It would have a devastating economic impact and would be detrimental to the public's right to use and enjoy our lake.

I also object to the proposed changes concerning the items that can be stored on a dock or in a dock box . I also object to the idea of removing "no wake buoys" from in front of docks and replacing them with "no wake" signs on the dock. Most boaters will heed the "no wake buoys" but I don't think very many will pay attention to signs on docks. I also believe that golf carts and ATV's should be allowed to park in

20170828_Thorpe_G-WA

front of a dock. Having to haul several 5 gallon gas cans by hand for any distance can be detrimental to one's health (especially those of us who are a bit older and not in as good a shape as we were in our 20's).

I am encouraged that the public's comments during the process have been acknowledged by the Corps. Thank you for listening. Please continue to help us protect our rights to use and enjoy our beautiful lake.

Sincerely,

Guy Thorpe

**Table Rock Lake Shoreline Management Plan
Revision, Environmental Assessment,
Master Plan Comment Form**



Please use this form to respond to provide your comments on the draft revised Table Rock Lake Shoreline Management Plan and the draft Environmental Assessment. The draft revised Shoreline Management Plan and Environmental Assessment may be found on the web at <https://go.usa.gov/xN92n>. Please also include any comments you may have regarding the 2014 Table Rock Lake Master Plan. The 2014 Table Rock Lake Master Plan may be found on the web at <https://go.usa.gov/xN92n>. Feel free to take an extra form and sent it back later to the address listed below. **Comments must be submitted by August 30, 2017.**

Your Name/Organization: _____

Address: _____

E-mail: _____ **Phone:** _____

Please circle the number that best represents your opinion of the draft documents: Revised Shoreline Management Plan, draft Environmental Assessment, and draft Finding of No Significant Impact:

1	2	3	4	5	6	7	8	9	10
Strongly									Strongly
Disapprove									Approve

What are the most important factors that affect your opinion of the draft Revised Shoreline Management Plan? _____

What are the most important factors that affect your opinion of the draft Environmental Assessment and draft Finding of No Significant Impact prepared for the Shoreline Management Plan Revision? _____

Comments on the 2014 Master Plan: _____

Comments may be submitted via mail, email, fax or the project website with attention to: Table Rock Lake SMP/MP/EA Project Manager, Programs and Projects Management Division, USACE, Little Rock District, P.O. Box 867, Little Rock, AR 72203.

Fax: (501) 324-6518 **Email:** CESWL-TableRockShorelineManagementPlanUpdate@usace.army.mil

Website: <https://go.usa.gov/xN92n>

Written comments must be postmarked, e-mailed, faxed, or otherwise submitted by **August 30, 2017**.

Postage Required

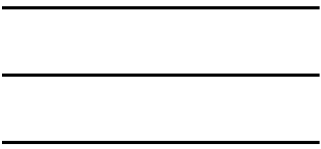


Table Rock Lake SMP/MP/EA Project Manager
Programs and Project Management Division, Civil
Works Branch
Little Rock District, U.S. Army Corps of Engineers
P.O. Box 867
Little Rock, AR 72203

-----**Fold Here**-----

Tape ends before mailing

PRIVACY ACT STATEMENT INSTRUCTIONS

AUTHORITY: ER 1130-2-550, and the laws and regulations referenced therein. **PRINCIPAL PURPOSE(S):** To provide a means for the maximum practicable public participation in Master Plan and Shoreline Management Plan formulation, preparation and subsequent revisions, through the use of public meetings, group workshops, open houses or other public involvement. **ROUTINE USE(S):** Information you provide will be available for public review or may be disclosed to members of the Department of Defense or other Government agencies who have a need for the information in performance of their official duties, and where use of such information is compatible with the purpose for which the information is collected. **DISCLOSURE:** Voluntary; however, failure to furnish the requested information may prevent the Agency from being able to direct meeting notices or provide additional information to commenters.

20170828_Tinker_J

From: CESWL-Table Rock Shoreline Management Plan Update <CESWL-TableRockShorelineManagementPlanUpdate@usace.army.mil>
Sent: Tuesday, August 29, 2017 8:50 AM
To: Murphy, Gina L.
Subject: FW: [EXTERNAL]

-----Original Message-----

From: Tom VanHuis [<mailto:tvgoBLUE@aol.com>]
Sent: Monday, August 28, 2017 10:17 PM
To: CESWL-Table Rock Shoreline Management Plan Update <CESWL-TableRockShorelineManagementPlanUpdate@usace.army.mil>
Subject: [EXTERNAL]

Sent from Mail <Blocked<https://go.microsoft.com/fwlink/?LinkId=550986>> for Windows 10

20170828_VanHuis_T

From: CESWL-Table Rock Shoreline Management Plan Update <CESWL-TableRockShorelineManagementPlanUpdate@usace.army.mil>
Sent: Tuesday, August 29, 2017 8:49 AM
To: Murphy, Gina L.
Subject: FW: [EXTERNAL] Table Rock Lake Shoreline Management Plan

-----Original Message-----

From: Jennifer `Waltner [<mailto:jennwaltner@hotmail.com>]
Sent: Monday, August 28, 2017 7:48 PM
To: CESWL-Table Rock Shoreline Management Plan Update <CESWL-TableRockShorelineManagementPlanUpdate@usace.army.mil>; savetablerock@gmail.com
Subject: [EXTERNAL] Table Rock Lake Shoreline Management Plan

TO: Corps of Engineers Decision Makers

FROM: Jennifer Waltner

RE: Table Rock Lake Shoreline Management Plan

Dear Corps of Engineers Decision Makers,

I am deeply concerned about the drastic changes that are being proposed in your draft Shoreline Management Plan for Table Rock Lake. The community has been very clear in thousands of public comments submitted that we are opposed to over-regulation. We've asked many times for NO CHANGE to be made to the Plan, but there are several items of major concern:

- I object to the carrying capacity as it limits the right to use the lake.
- I object to tighter restrictions placed upon vegetative management permits.
- I object to the new non-transferable grandfathered vegetative management permit rule.
- I object to financial hardships of removing electricity from the lake.
- I object to only one request every five years for dock modification.
- I object to the 8' depth requirement for any new docks.

I would ask that the Shoreline Management Plan NOT be changed. At the very least, please do not allow the changes noted above to go into effect. It would have a devastating economic impact and would be detrimental to the public's right to use and enjoy our lake.

I am encouraged that the public's comments during the process have been acknowledged by the Corps. Thank you for listening. Please continue to help us protect our rights to use and enjoy our beautiful lake.

Sincerely,

20170828_Waltner_J-W

Jennifer Waltner

From: CESWL-Table Rock Shoreline Management Plan Update <CESWL-TableRockShorelineManagementPlanUpdate@usace.army.mil>
Sent: Tuesday, August 29, 2017 8:50 AM
To: Murphy, Gina L.
Subject: FW: [EXTERNAL] Table Rock Lake Shoreline Management Plan

-----Original Message-----

From: Jacque`Walton [<mailto:itsa3jacque@yahoo.com>]
Sent: Monday, August 28, 2017 9:04 PM
To: CESWL-Table Rock Shoreline Management Plan Update <CESWL-TableRockShorelineManagementPlanUpdate@usace.army.mil>; savetablerock@gmail.com
Subject: [EXTERNAL] Table Rock Lake Shoreline Management Plan

TO: Corps of Engineers Decision Makers

FROM: Jacque Walton

RE: Table Rock Lake Shoreline Management Plan

Dear Corps of Engineers Decision Makers,

I am deeply concerned about the drastic changes that are being proposed in your draft Shoreline Management Plan for Table Rock Lake. The community has been very clear in thousands of public comments submitted that we are opposed to over-regulation. We've asked many times for NO CHANGE to be made to the Plan, but there are several items of major concern:

- I object to the carrying capacity as it limits the right to use the lake.
- I object to tighter restrictions placed upon vegetative management permits.
- I object to the new non-transferable grandfathered vegetative management permit rule.
- I object to financial hardships of removing electricity from the lake.
- I object to only one request every five years for dock modification.
- I object to the 8' depth requirement for any new docks.

I would ask that the Shoreline Management Plan NOT be changed. At the very least, please do not allow the changes noted above to go into effect. It would have a devastating economic impact and would be detrimental to the public's right to use and enjoy our lake.

PLEASE PRETTY PLEASE don't change the Shoreline Management Plan. Our family has been boater before Table Rock Lake was built. The fun of just going down to Cricket Creek, Ark. was something our children asked to do. They were fascinated with seeing the mountain goats on the rocky bluffs. Riding on the toe of the dad's skies before they were big enough to water ski on their own. Now my

20170828_Walton_J-WA

granddaughters are enjoying the lake, and have enjoyed being on the lake since they were babies. They loved fishing with PaPa. Looking for the turtles and sunfish to feed. PLEASE keep the Shoreline Management Plan as it is. Please let families continue enjoying their time on the lake....I can remember when the was even a man of God would come to the campground and we would have a service on Sunday on the water. Made it so special to be enjoying God's earth and thanking him for the opportunity.

I am encouraged that the public's comments during the process have been acknowledged by the Corps. Thank you for listening. Please continue to help us protect our rights to use and enjoy our beautiful lake.

Sincerely,

Jacque Walton

From: CESWL-Table Rock Shoreline Management Plan Update <CESWL-TableRockShorelineManagementPlanUpdate@usace.army.mil>
Sent: Tuesday, August 29, 2017 8:38 AM
To: Murphy, Gina L.
Subject: FW: [EXTERNAL] Table Rock Lake Shoreline Management Plan

-----Original Message-----

From: Dennis`Webb [<mailto:webb51@suddenlink.net>]
Sent: Monday, August 28, 2017 9:26 AM
To: CESWL-Table Rock Shoreline Management Plan Update <CESWL-TableRockShorelineManagementPlanUpdate@usace.army.mil>; savetablerock@gmail.com
Subject: [EXTERNAL] Table Rock Lake Shoreline Management Plan

TO: Corps of Engineers Decision Makers

FROM: Dennis Webb

RE: Table Rock Lake Shoreline Management Plan

Dear Corps of Engineers Decision Makers,

I am deeply concerned about the drastic changes that are being proposed in your draft Shoreline Management Plan for Table Rock Lake. The community has been very clear in thousands of public comments submitted that we are opposed to over-regulation. We've asked many times for NO CHANGE to be made to the Plan, but there are several items of major concern:

- I object to the carrying capacity as it limits the right to use the lake.
- I object to tighter restrictions placed upon vegetative management permits.
- I object to the new non-transferable grandfathered vegetative management permit rule.
- I object to financial hardships of removing electricity from the lake.
- I object to only one request every five years for dock modification.
- I object to the 8' depth requirement for any new docks.

I would ask that the Shoreline Management Plan NOT be changed. At the very least, please do not allow the changes noted above to go into effect. It would have a devastating economic impact and would be detrimental to the public's right to use and enjoy our lake.

I have been a Stone/County resident for the past 38 years and have utilized TRLake and lake facilities on a regular basis. I have been content with the current Corps Shore Line MGT and feel the restrictions and guidelines have served us well. But I am now totally against the proposed plan with all the new and additional restrictions. This new plan clearly makes all TR lake users and dock owners working for the

20170828_Webb_D-WA

Corp rather than the Corp and it's rules working for the benefit of the users. If the old plan was working reasonably well why change it? I'm sure there are valid concerns creating the new plan but this is so overboard and imposing upon the rights of property owners and lake users, that is does not serve the people.

Highly against and soon to become a serious opponent of U.S. Army Corp of Engineers.

D Webb

I am encouraged that the public's comments during the process have been acknowledged by the Corps. Thank you for listening. Please continue to help us protect our rights to use and enjoy our beautiful lake.

Sincerely,

Dennis Webb

From: CESWL-Table Rock Shoreline Management Plan Update <CESWL-TableRockShorelineManagementPlanUpdate@usace.army.mil>
Sent: Tuesday, August 29, 2017 8:42 AM
To: Murphy, Gina L.
Subject: FW: [EXTERNAL] Table Rock Lake Shoreline Management Plan

-----Original Message-----

From: Bill White [<mailto:BillWhite@hcwrealty.com>]
Sent: Monday, August 28, 2017 11:46 AM
To: CESWL-Table Rock Shoreline Management Plan Update <CESWL-TableRockShorelineManagementPlanUpdate@usace.army.mil>; savetablerock@gmail.com
Subject: [EXTERNAL] Table Rock Lake Shoreline Management Plan

TO: Corps of Engineers Decision Makers

FROM: Bill White

RE: Table Rock Lake Shoreline Management Plan

Dear Corps of Engineers Decision Makers,

I am deeply concerned about the drastic changes that are being proposed in your draft Shoreline Management Plan for Table Rock Lake. The community has been very clear in thousands of public comments submitted that we are opposed to over-regulation. We've asked many times for NO CHANGE to be made to the Plan, but there are several items of major concern:

- I object to the carrying capacity as it limits the right to use the lake.
- I object to tighter restrictions placed upon vegetative management permits.
- I object to the new non-transferable grandfathered vegetative management permit rule.
- I object to financial hardships of removing electricity from the lake.
- I object to only one request every five years for dock modification.
- I object to the 8' depth requirement for any new docks.

I would ask that the Shoreline Management Plan NOT be changed. At the very least, please do not allow the changes noted above to go into effect. It would have a devastating economic impact and would be detrimental to the public's right to use and enjoy our lake.

Please stop over governing our Lakes and our lively hoods we respect our waterways too and live here.

With highest regards,

Bill White

Real Estate Broker Branson, MO.

20170828_White_B-WA

I am encouraged that the public's comments during the process have been acknowledged by the Corps. Thank you for listening. Please continue to help us protect our rights to use and enjoy our beautiful lake.

Sincerely,

Bill White

From: CESWL-Table Rock Shoreline Management Plan Update <CESWL-TableRockShorelineManagementPlanUpdate@usace.army.mil>
Sent: Tuesday, August 29, 2017 8:50 AM
To: Murphy, Gina L.
Subject: FW: [EXTERNAL] Table Rock Lake Shoreline Management Plan

-----Original Message-----

From: Robert`Woessner [<mailto:h20ski@centurytel.net>]
Sent: Monday, August 28, 2017 9:37 PM
To: CESWL-Table Rock Shoreline Management Plan Update <CESWL-TableRockShorelineManagementPlanUpdate@usace.army.mil>; savetablerock@gmail.com
Subject: [EXTERNAL] Table Rock Lake Shoreline Management Plan

TO: Corps of Engineers Decision Makers

FROM: Robert Woessner

RE: Table Rock Lake Shoreline Management Plan

Dear Corps of Engineers Decision Makers,

I am deeply concerned about the drastic changes that are being proposed in your draft Shoreline Management Plan for Table Rock Lake. The community has been very clear in thousands of public comments submitted that we are opposed to over-regulation. We've asked many times for NO CHANGE to be made to the Plan, but there are several items of major concern:

- I object to the carrying capacity as it limits the right to use the lake.
- I object to tighter restrictions placed upon vegetative management permits.
- I object to the new non-transferable grandfathered vegetative management permit rule.
- I object to financial hardships of removing electricity from the lake.
- I object to only one request every five years for dock modification.
- I object to the 8' depth requirement for any new docks.

I would ask that the Shoreline Management Plan NOT be changed. At the very least, please do not allow the changes noted above to go into effect. It would have a devastating economic impact and would be detrimental to the public's right to use and enjoy our lake.

Not being able to keep chairs on docks would be very troublesome for handicapped and disabled people. Also not being allowed to drive golf carts to docks would also be very difficult for these people.

20170828_Woessner_R-WA

I am encouraged that the public's comments during the process have been acknowledged by the Corps. Thank you for listening. Please continue to help us protect our rights to use and enjoy our beautiful lake.

Sincerely,

Robert Woessner

From: CESWL-Table Rock Shoreline Management Plan Update <CESWL-TableRockShorelineManagementPlanUpdate@usace.army.mil>
Sent: Tuesday, August 29, 2017 8:44 AM
To: Murphy, Gina L.
Subject: FW: [EXTERNAL] Table Rock Lake Shoreline Management Plan

-----Original Message-----

From: Marianne`Zach [<mailto:mazachop@gmail.com>]
Sent: Monday, August 28, 2017 1:26 PM
To: CESWL-Table Rock Shoreline Management Plan Update <CESWL-TableRockShorelineManagementPlanUpdate@usace.army.mil>; savetablerock@gmail.com
Subject: [EXTERNAL] Table Rock Lake Shoreline Management Plan

TO: Corps of Engineers Decision Makers

FROM: Marianne Zach

RE: Table Rock Lake Shoreline Management Plan

Dear Corps of Engineers Decision Makers,

I am deeply concerned about the drastic changes that are being proposed in your draft Shoreline Management Plan for Table Rock Lake. The community has been very clear in thousands of public comments submitted that we are opposed to over-regulation. We've asked many times for NO CHANGE to be made to the Plan, but there are several items of major concern:

- I object to the carrying capacity as it limits the right to use the lake.
- I object to tighter restrictions placed upon vegetative management permits.
- I object to the new non-transferable grandfathered vegetative management permit rule.
- I object to financial hardships of removing electricity from the lake.
- I object to only one request every five years for dock modification.
- I object to the 8' depth requirement for any new docks.

I would ask that the Shoreline Management Plan NOT be changed. At the very least, please do not allow the changes noted above to go into effect. It would have a devastating economic impact and would be detrimental to the public's right to use and enjoy our lake.

Some of these changes could drastically change the value & look of our property, and our neighbors, as well as cause financial difficulties to many property owners. We paid a large premium to have our lakefront view, and that could be greatly altered with the proposed vegetative permit restrictions for us. It could also effect our children, to whom we plan to pass the property. I agree that an eventual change

20170828_Zach_M-WA

from electricity should be made for safety reasons, but perhaps a slightly longer time frame to allow owners to properly finance the change.

I am encouraged that the public's comments during the process have been acknowledged by the Corps. Thank you for listening. Please continue to help us protect our rights to use and enjoy our beautiful lake.

Sincerely,

Marianne Zach